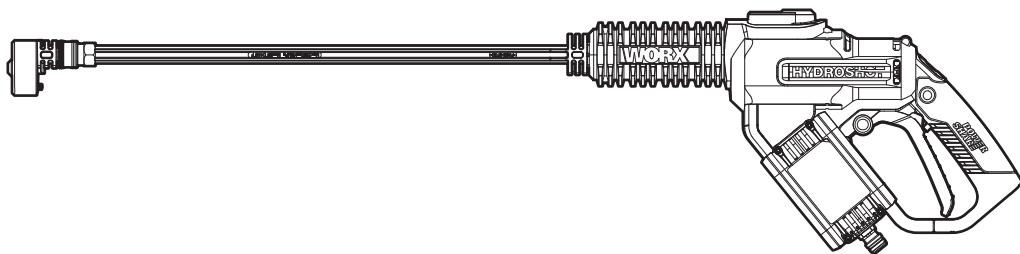


WORX®

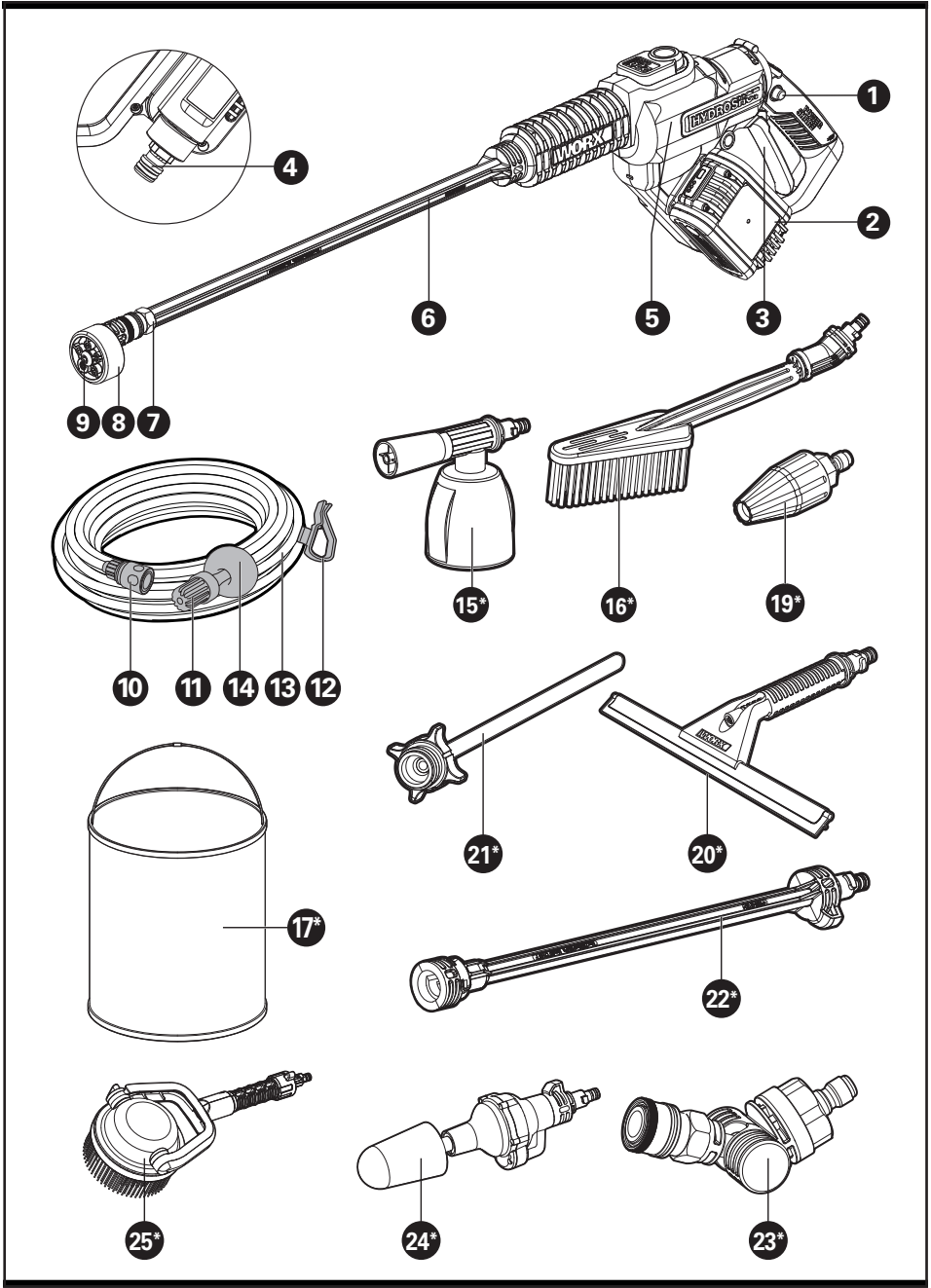


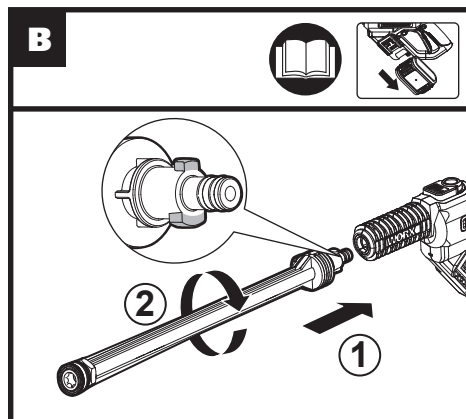
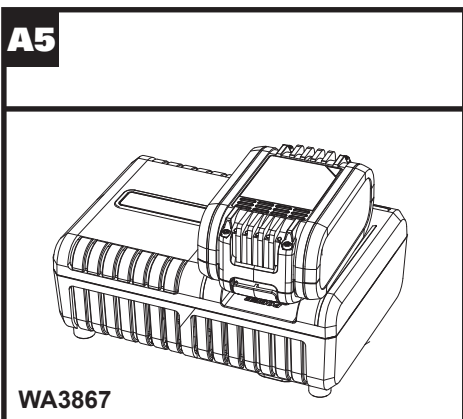
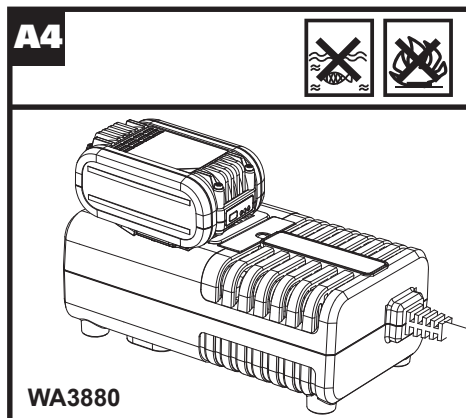
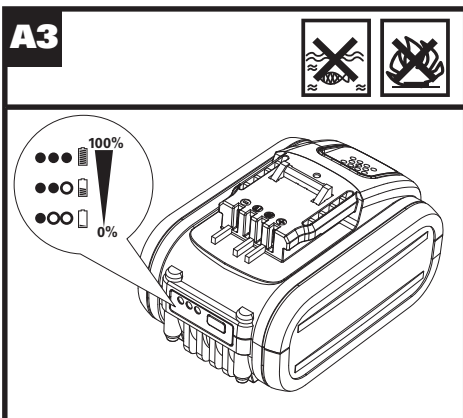
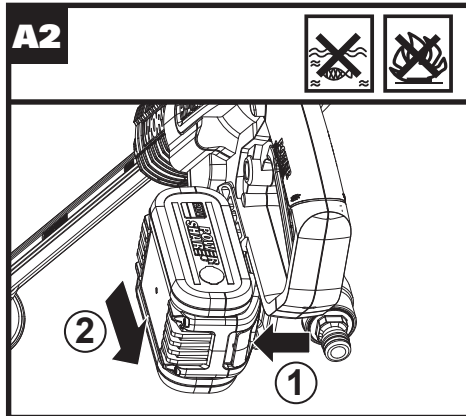
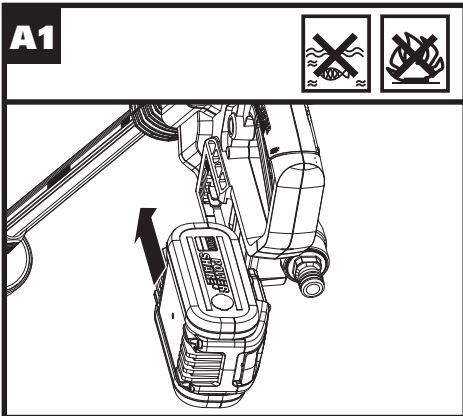
HYDROSHOT™

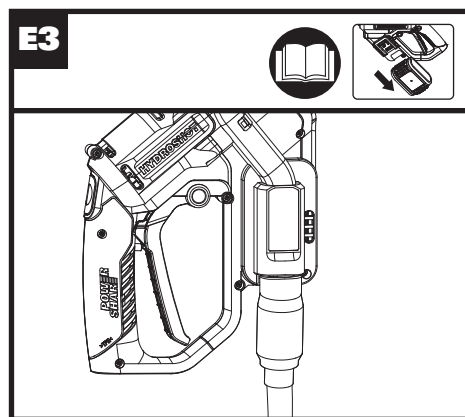
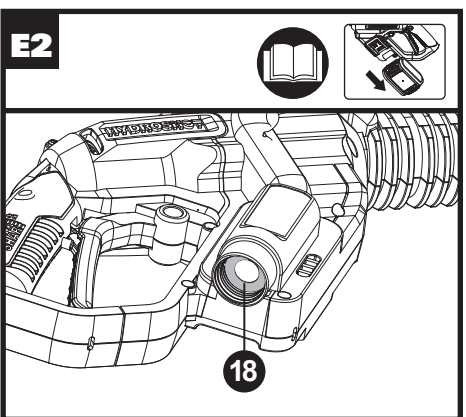
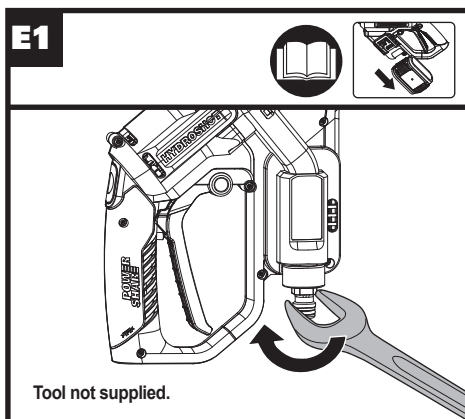
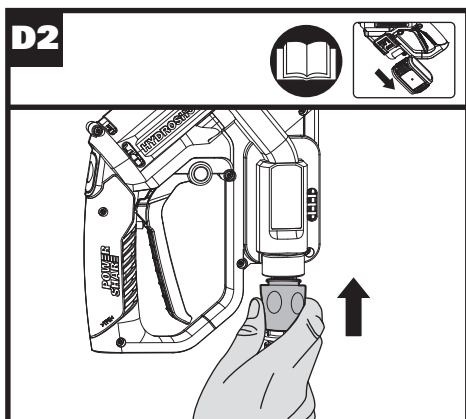
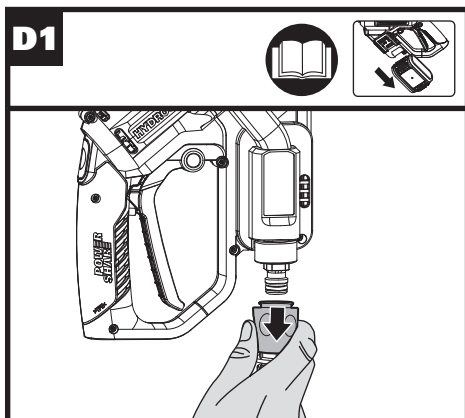
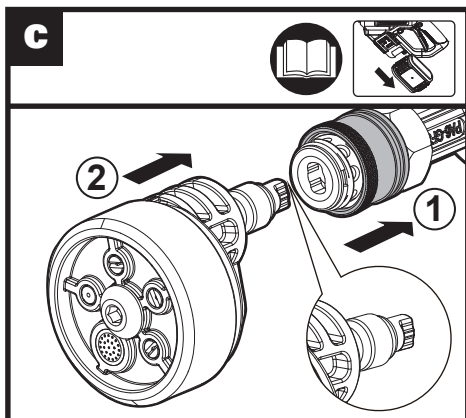
2 in 1: Portable Power Cleaner/Water Sprayer	EN	P11
2 in 1: Tragbarer Hochdruckreiniger/Wassersprüher	D	P19
2 en 1 : nettoyeur portable électrique / pulvérisateur d'eau	F	P28
Idropulitrice/Irroratrice portatile 2 in 1	I	P37
2 en 1: Limpiador/pulverizador de agua portátil a presión	ES	P46
2 in 1: Krachtige draagbare reiniger/waterverniveelaar	NL	P55
2w1 Akumulatorowy przenośny Oczyszczacz / Opryskiwacz wodny	PL	P64
2 az 1-ben: Hordozható magasnyomású tisztító/Szórófej	HU	P73
2 in 1: Curățător cu presiune/Stropitoare portabilă	RO	P82
2 v 1: Přenosný tlakový čistič / stříkací pistole	CZ	P91
2 v 1: Prenosný tlakový čistič / striekacia pištoľ	SK	P100
2 em 1: Máquina de limpeza a pressão/pulverizador de água	PT	P109
2 i 1: Portabel högtryckstvätt/Vattenspruta	SV	P118
2 v 1: Prenosni električni čistilnik/škropilnik za vodo	SL	P127

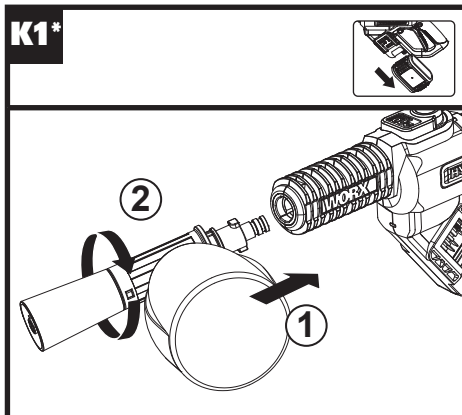
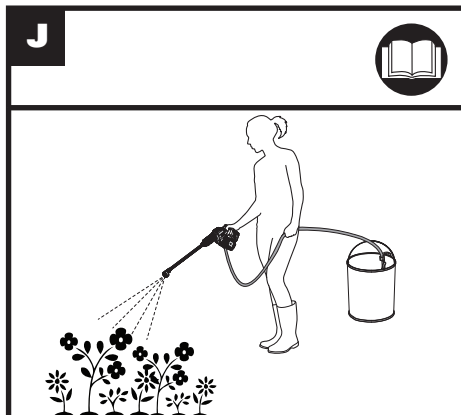
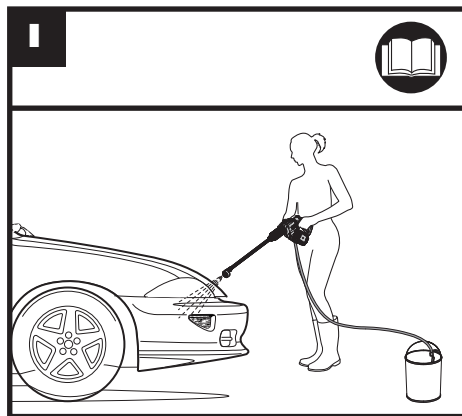
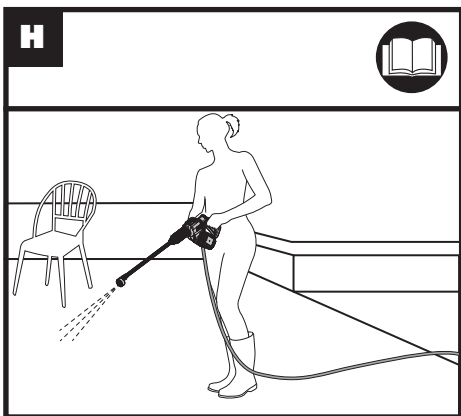
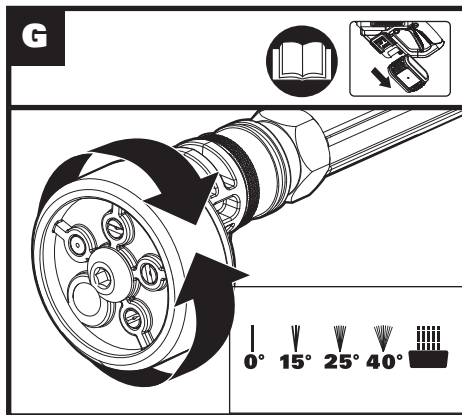
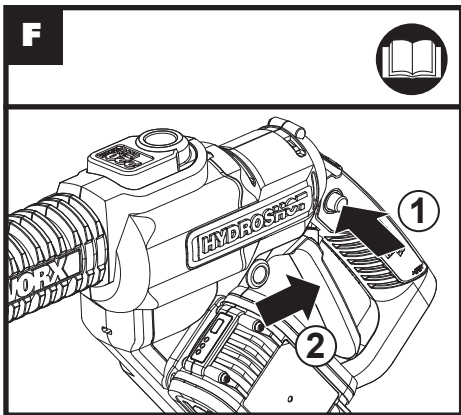
WG630E WG630E.1 WG630E.9

Original instructions	EN
Originalbetriebsanleitung	D
Notice originale	F
Istruzioni originali	I
Manual original	ES
Oorspronkelijke gebruiksaanwijzing	NL
Instrukcja oryginalna	PL
Eredeti használati utasítás	HU
Instrucțiuni originale	RO
Původní návod k používání	CZ
Pôvodný návod na použitie	SK
Manual original	PT
Bruksanvisning i original	SV
Izvirna navodila	SL



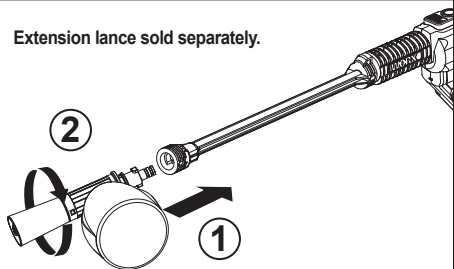
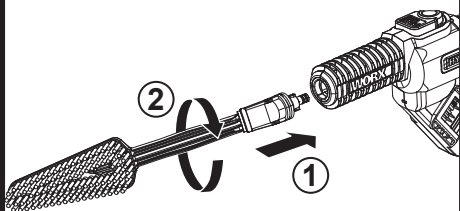
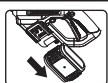




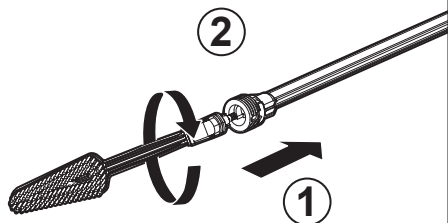
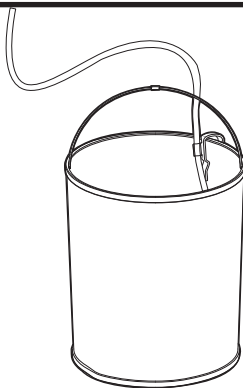
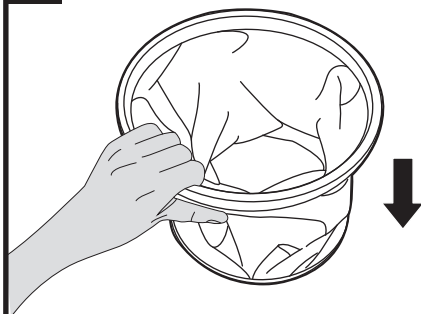
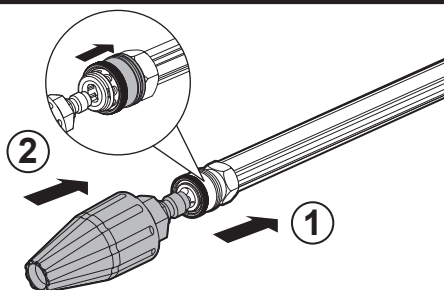


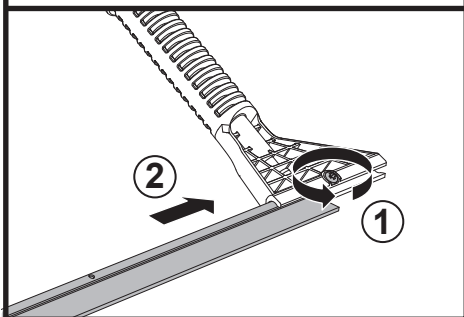
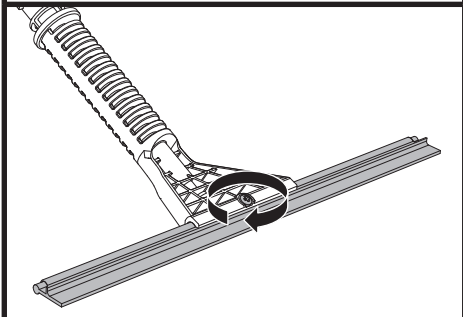
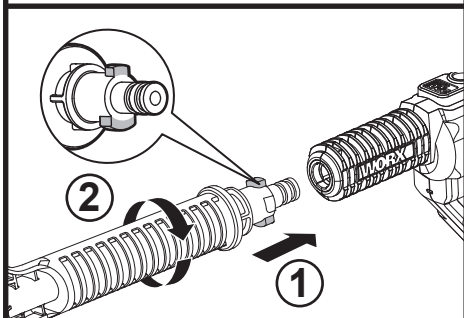
K2*

Extension lance sold separately.

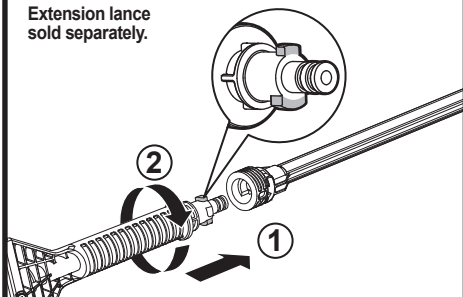
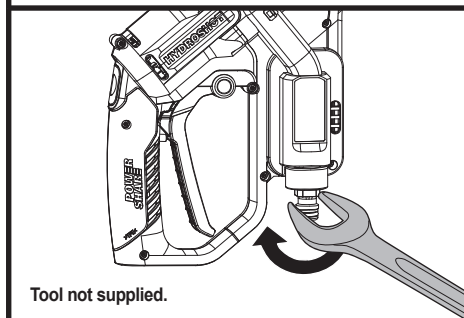
**L1*****L2***

Extension lance sold separately.

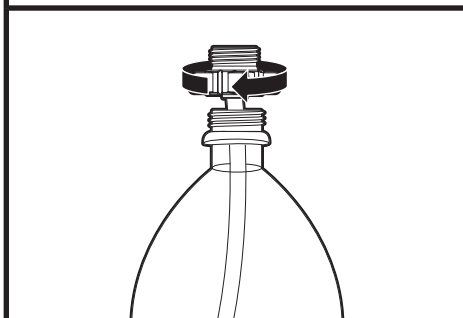
**M1*****M2*****N***

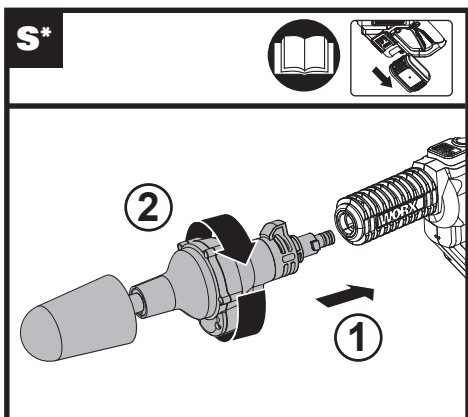
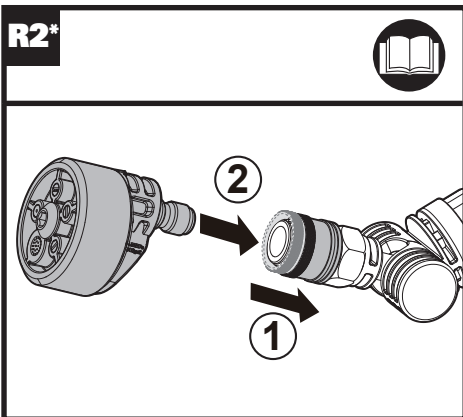
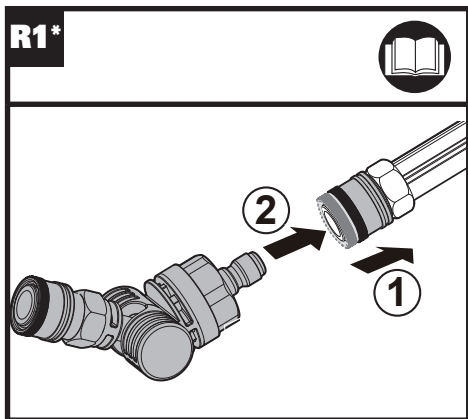
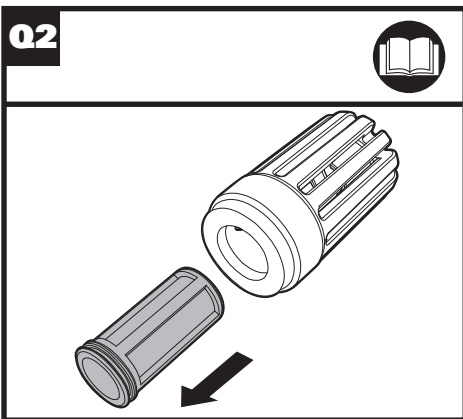
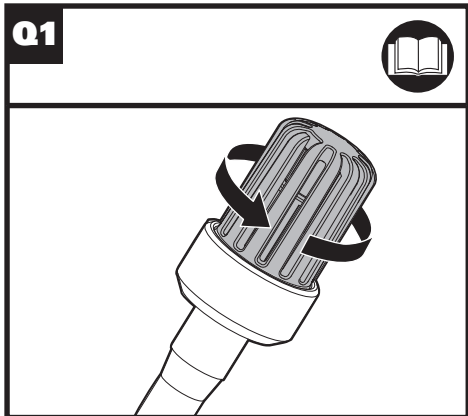
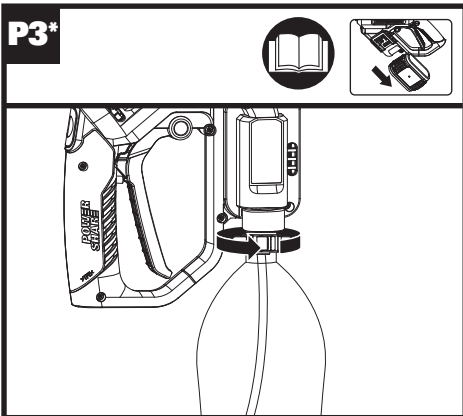
01***02*****03*****04***

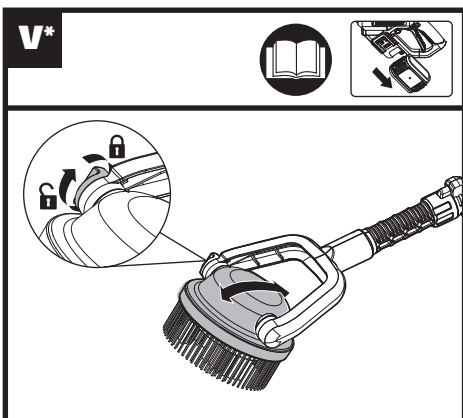
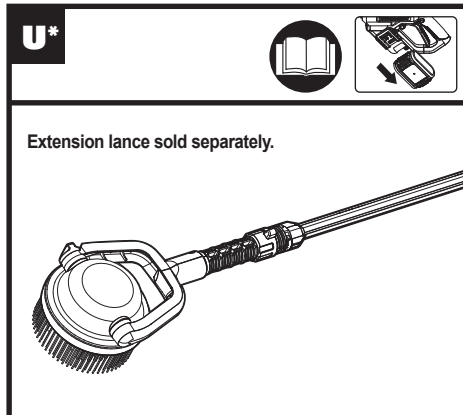
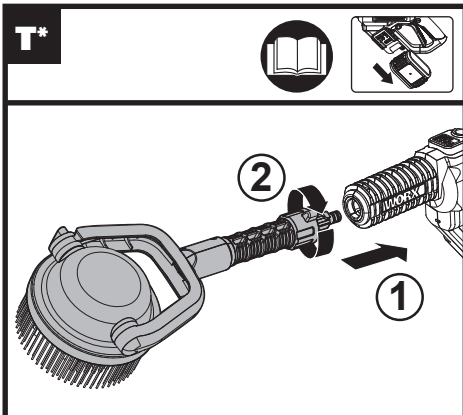
Extension lance
sold separately.

**P1**

Tool not supplied.


P2*





PRODUCT SAFETY

GENERAL SAFETY WARNINGS

 **WARNING: Read all safety warnings and all instructions.** Failure to follow the warnings and instructions may result in electric shock, fire and/or serious injury.

Save all warnings and instructions for future reference.

- This appliance can be used by persons with reduced physical, sensory or mental capabilities or lack of experience and knowledge if they have been given supervision or instruction concerning use of the appliance in a safe way and understand the hazards involved. Children shall not play with the appliance.
- The appliance is only to be used with the power supply unit provided with the appliance.

Additional safety warnings

1. The liquid must not be directed towards equipment containing electrical components.
2. Remove or disconnect the battery pack after use and before carrying out user maintenance on the appliance.
3. The appliance shall not be

left unattended while it is connected to the battery pack.

4. The appliance is not to be used if it has been dropped, if there are visible signs of damage or if it is leaking.
5. Keep the appliance out of reach of children when it is energized.

Safety Warnings for battery pack

a) Do not dismantle, open or shred cells or battery pack.

b) Do not short-circuit a battery pack. Do not store battery packs haphazardly in a box or drawer where they may short-circuit each other or be short-circuited by conductive materials.





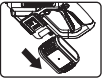




When battery pack is not in use, keep it away from other metal objects, like paper clips, coins, keys, nails, screws or other small metal objects, that can make a connection from one terminal to another. Shorting the battery terminals together may cause burns or a fire.

c) Do not expose battery pack to heat or fire. Avoid storage in direct sunlight.

d) Do not subject battery pack to mechanical shock.

- 12
- e) **In the event of battery leaking, do not allow the liquid to come into contact with the skin or eyes. If contact has been made, wash the affected area with copious amounts of water and seek medical advice.**
 - f) **Seek medical advice immediately if a cell or battery pack has been swallowed.**
 - g) **Keep battery pack clean and dry.**
 - h) **Wipe the battery pack terminals with a clean dry cloth if they become dirty.**
 - i) **Battery pack needs to be charged before use. Always refer to this instruction and use the correct charging procedure.**
 - j) **Do not maintain battery pack on charge when not in use.**
 - k) **After extended periods of storage, it may be necessary to charge and discharge the battery pack several times to obtain maximum performance.**
 - l) **Battery pack gives its best performance when it is operated at normal room temperature (20°C ± 5°C).**
 - m) **When disposing of battery packs, keep battery packs of different electrochemical systems separate from each other.**
 - n) **Recharge only with the charger specified by WORX.** Do not use any charger other than that specifically provided for use with the equipment. A charger that is suitable for one type of battery pack may create a risk of fire when used with another battery pack.
 - o) **Do not use any battery pack which is not designed for use with the equipment.**
 - p) **Keep battery pack out of the reach of children.**
 - q) **Retain the original product literature for future reference.**
 - r) **Remove the battery from the equipment when not in use.**
 - s) **Dispose of properly.**

SYMBOLS

	Warning
	Read operator's manual
	Do not expose to rain or water
	Do not burn
	Remove battery from the socket before carrying out any adjustment, servicing or maintenance.
	Unlock
	Lock
	Waste electrical products must not be disposed of with household waste. Please recycle where facilities exist. Check with your local authorities or retailer for recycling advice.
 Li-Ion	Do not dispose of batteries. Return exhausted batteries to your local collection or recycling point.

1. LOCK-OFF SWITCH
2. BATTERY PACK *
3. ON/OFF SWITCH LEVER
4. HOSE ADAPTER
5. POWER NOZZLE
6. PRESSURE CLEANING LANCE
7. NOZZLE ADAPTER
8. MULTI-SPRAY NOZZLE
9. FIXING NAIL
10. HOSE CONNECTOR
11. HOSE FILTER
12. HOSE CLIP
13. HOSE

14. FLOATER
15. SOAP BOTTLE *
16. BRUSH *
17. FOLDABLE WATER BUCKET *
18. FILTER SCREEN (SEE FIG. E2)
19. TURBO NOZZLE *
20. WINDOW SQUEEGEE WITH WATER SPRAYER *
21. BOTTLE CAP CONNECTOR *
22. EXTENSION LANCE *
23. PIVOTING QUICK CONNECT ADAPTER *
24. ROTARY CLEANING BRUSH *
25. ADJUSTABLE POWER SCRUBBER *

* Not all the accessories illustrated or described are included in standard delivery.


TECHNICAL DATA

Type: WG630E WG630E.1 WG630E.9 (620-649 - designation of machinery, representative of battery-powered washer)

	WG630E WG630E.1	WG630E.9
Charger voltage	220-240V~50/60Hz	/
Voltage	20 V $\overline{\text{---}}$ Max**	
Max pressure	25 bar	
Rated pressure	22 bar/15 bar	
Max water flow rate	210 L/h	
Max. inlet water pressure	5 bar	
Suction height	Max 1.5m	
Weight (with lance)	2.5kg	1.8kg

**Voltage measured without workload. Initial battery voltage reaches maximum of 20 volts. Nominal voltage is 18 volts.

NOISE DATA

A weighted sound pressure	L_{pA} : xxdB(A)
A weighted sound power	L_{WA} : xxdB(A)
K_{pA}	3.0dB(A)
Wear ear protection	

2 in 1: Portable Power Cleaner/Water Sprayer

EN

VIBRATION INFORMATION

Typical weighted vibration	$a_{rw} = xxm/s^2 \quad K = 1.5 m/s^2$
----------------------------	--

The declared vibration total value may be used for comparing one tool with another, and may also be used in a preliminary assessment of exposure.

⚠ WARNING: The vibration emission value during actual use of the power tool can differ from the declared value depending on the ways in which the tool is used dependant on the following examples and other variations on how the tool is used:

How the tool is used and the materials being cut or drilled.

The tool being in good condition and well maintained.

Using the correct accessory for the tool and ensuring it is sharp and in good condition.

The tightness of the grip on the handles and if any anti vibration accessories are used.

And the tool is being used as intended by its design and these instructions.

This tool may cause hand-arm vibration syndrome if its use is not adequately managed.

⚠ WARNING: To be accurate, an estimation of exposure level in the actual conditions of use should also take account of all parts of the operating cycle such as the times when the tool is switched off and when it is running idle but not actually doing the job. This may significantly reduce the exposure level over the total working period.

Helping to minimise your vibration exposure risk.

Maintain this tool in accordance with these instructions and keep well lubricated (where appropriate).

If the tool is to be used regularly then invest in anti vibration accessories.

Plan your work schedule to spread any high vibration tool use across a number of days.

ACCESSORIES

15

	WG630E	WG630E.1	WG630E.9
Charger	1 (WA3880)	1 (WA3867)	/
Battery pack (WA3553)	1	1	/
Bottle cap (WA4038)	1	1	1
Hose (6m)	1	1	1
Long lance	1	1	1
Multi-spray nozzle	1	1	1
Brush (WA4048)	/	/	/
Soap bottle (WA4036)	/	/	/
Foldable water bucket (WA4015)	/	/	/
Bottle cap connector (WA4038)	/	/	/
Turbo nozzle (WA4037)	/	/	/
Window squeegee with water sprayer (WA4050)	/	/	/
Extension lance (WA4012)	/	/	/
Pivoting quick connect adapter (WA4039)	/	/	/
Rotary cleaning brush (WA4042)	/	/	/
Adjustable power scrubber (WA1820/WA1821)	/	/	/

We recommend that you purchase your accessories from the same store that sold you the tool. Refer to the accessory packaging for further details. Store personnel can assist you and offer advice.

2 in 1: Portable Power Cleaner/Water Sprayer

EN

OPERATING INSTRUCTIONS



NOTE: Before using the tool, read the instruction book carefully.

INTENDED USE

This tool is intended for cleaning and watering.

ASSEMBLY & OPERATION

ACTION	FIGURE
BEFORE OPERATION	
Installing the battery pack	See Fig. A1
Removing the battery pack	See Fig. A2
Checking the battery condition NOTE: Fig. A3 only applies for the battery pack with battery indicator light.	See Fig. A3
Charging the battery pack More details can be found in charger's manual	See Fig. A4, A5
ASSEMBLY	
NOTE: The power nozzle has two working modes: short lance only and short lance used together with extension lance.	
Working mode 1 Attaching short lance to the power nozzle NOTE: When attaching, align the two projections on the lance with the grooves of the power nozzle as shown in Fig. B.	See Fig. B
Attaching the Multi-spray nozzle NOTE: When attaching, rotate the nozzle left and right to make sure the nozzle is fully seated into position and gently pull it to make sure it is locked into position securely.	See Fig. C
Attaching the hose to the power nozzle NOTE: After the hose is attached, check the connection by gently pulling upon the hose. It should not be pulled off.	See Fig. D1, D2
Attaching your own water hose (optional) 1. Remove the hose adapter 2. Attach the home garden hose with suitable connectors NOTE: Besides the hose supplied, you can also connect the power nozzle to your own water hose with suitable connectors. NOTE: Check whether the filter screen is missing before retightening the hose adapter. When retightening the quick hose adapter, please tighten securely. Otherwise, it may not draw any water for proper operation.	See Fig. E1, E2, E3

OPERATION



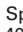
WARNING: The supplied battery is not waterproof. To avoid risk of battery failure, protect the battery from water exposure during use. Store the tool and battery in a dry place after use.

Start

NOTE: At the first use, you need to empty the air in hose, place the power nozzle below waist level (<1.5m/5ft) and set it at high pressure. Do not start working until the water goes up along the hose and sprays out. This could take up to 30 seconds or more depending on the fresh water source.

See Fig. F

Selecting the nozzle pattern

NOTE: Choose a suitable nozzle pattern according to your work. Spray patterns 0°, 15°, 25° and 40° are applicable for cleaning, and the spray pattern with the symbol  is best suitable for watering.

See Fig. G



WARNING: Do not shift the nozzle pattern when the tool is powered on.

Cleaning



WARNING: Do not connect the machine to water supplies that are dirty, rusty, muddy, or corrosive. (Including window cleaning liquids, plant foods, or fertilizers etc.)

See Fig. H, I

NOTE: If sea water is used, the product should be rinsed and used with fresh water after that in order to extend the life time of the machine.

Watering

See Fig. J

ATTACHMENT OF ACCESSORIES

A number of accessories have been supplied with this product and are required for use in different applications. **Do not attempt to use cleaning without a lance or any accessories attached.**

1. Soap bottle (WA4036, sold separately)

Soap bottle provides detergent suds for deeper cleaning of dirt. It is used in conjunction with power nozzle or extension lance. (See Fig. K1, K2)

2. Brush (WA4048, sold separately)

Brush is for cleaning cars, boats, motorcycles etc. It is used in conjunction with power nozzle or extension lance. (See Fig. L1, L2)

3. Foldable water bucket (WA4015, sold separately)

Foldable water bucket allows you to connect to water supply when you are far away from a water source. When not in use, it can be folded for storage. (See Fig. M1, M2)

4. Turbo nozzle (WA4037, sold separately)


The turbo nozzle delivers 360° of rotating water, which cleans a larger area than the 0° water pattern during the same time period. Recommend to use it with high pressure setting (See Fig. N)

5. Window squeegee with water sprayer (WA4050, sold separately)

The window squeegees quick connection easily snaps into the tool to spray water or wipe off water from glass or tiled surfaces. Suitable for the HydroShot power cleaner or the extension lance. (See Fig. O1, O2, O3, O4)

6. Bottle cap connector (WA4038, sold separately)

The bottle cap connector accessory allows the tool to directly connect with most 2 Liter bottles with approximately 1" openings. (NOTE: May not fit all consumable soda and water bottles) (See Fig. P1, P2, P3)

 **WARNING:** Do not install the bottle cap connector accessory until it is ready to be used. The accessories vents will leak liquid, if a bottle is installed, with the machine lying on a surface.

7. Pivoting Quick Connect Adapter (WA4039, sold separately)

The Pivoting Quick Connect Adapter allows power cleaning tips to be fully adjusted up to 180° in any direction. Ideal for cleaning around hard-to-reach areas. Suitable for the HYDROSHOT™ power cleaner and multi-spray nozzle (See Fig. R1, R2)

8. Rotary Cleaning Brush (WA4042, sold separately)

The rotary cleaning brush accessory easily snaps into the tool for cleaning sensitive surfaces and around tight spaces. Suitable for the HYDROSHOT™ power cleaner with/without the extension lance installed. (See Fig. S)

9. Adjustable Power Scrubber (WA1820/ WA1821, sold separately)

The water powered rotary scrubber accessory easily snaps into the tool for cleaning hard surfaces. Suitable for the HYDROSHOT™ power cleaner with/without the extension lance installed. (See Fig. T, U, V) The soft scrubber (WA1820) is applicable for sensitive surfaces and the hard bristle scrubber (WA1821) is applicable for cleaning hard surfaces (not recommended for cars and surfaces that could be scratched).

MAINTENANCE

Remove the Battery Pack from the tool before carrying out any adjustment, servicing or maintenance.

Inspect the product for damaged or worn parts before each use. Do not operate it if you find damaged or worn parts. Contact your supplier or the manufacturer for replacement parts.

Hose filter maintenance

Remove the hose filter from the hose and get out the strainer. Rinse the parts with clean water before reassembling. (See Fig. Q1, Q2)


CLEANING/STORAGE

Before Storage, completely drain all the water from the machine and hose.

Clean the moulded plastic housing of the machine using a soft brush and clean cloth. Do not use water, solvents or polishes. Store in a secure and dry place out of the reach of children. Do not place other objects on the product.

Store the machine and the accessories in a frost free place.

ENVIRONMENTAL PROTECTION

 Waste electrical products must not be disposed of with household waste. Please recycle where facilities exist. Check with your local authorities or retailer for recycling advice.

TROUBLESHOOTING

Symptom	Possible causes	Solution
Machine turns on but it does not draw any water or there is not sufficient pressure.	Power nozzle is too high from the water source surface.	Lower the machine below 5ft/1.5m.
	Hose filter is blocked.	Take out the hose filter and rinse the parts with clean water. (See Fig. Q1, Q2)
	The users garden hose is not well connected to the machine.	Check and reattach the garden hose tightly. (See Fig. E3)
	Hose adapter looses. The filter screen is missing. (See Fig. E2)	Tighten the hose adapter securely with a spanner. Contact WORX service agent to get a filter screen.
	Pump, hose, or other parts are frozen due to outside temperatures.	Wait for the pump, hose or other parts to thaw.
	Hose kinks.	Straighten out the hose.
Multi-spray nozzle leaks.	The nozzle pattern does not spray correctly.	Make sure the nozzle pattern symbol aligns with the indicator mark on tool.
	Fixing nail of the multi-spray nozzle loosens.	Tighten it with a hex key.
Outlet pressure increases suddenly.	Multi-spray nozzle is blocked.	Replace with a new multi-spray nozzle.
Machine drains out water after stopping.	There is water remaining in the lance and pump after stopping.	Drain all the water completely before storage.
Soap accessory cannot spray out any detergent.	Blockage in the soap bottle.	Clean it with fresh water.
Machine does not start.	The battery pack is not attached well.	Reinstall the battery pack.
	Battery pack is empty.	Replace with a new battery pack or recharge the battery pack.
	Defective battery.	Replace with a new battery pack.
Machine pressure is not consistent.	Additional air could be sucked into the machine.	Check connection between the hose adapter and the hose.
	It is at low pressure setting.	No action need.
Machine stops automatically.	Battery pack is empty.	Replace with a new battery pack or recharge the battery pack.
	The multi-spray nozzle is blocked. The current protection is activated.	Remove the multi-spray nozzle and turn on the machine. If the machine works normally, replace with a new multi-spray nozzle.

DECLARATION OF CONFORMITY

We,
Positec Germany GmbH
Grüner Weg 10, 50825 Cologne, Germany

Declare that the product
Description Battery-operated washer
Type **WG630E WG630E.1 WG630E.9 (620-649**
- designation of machinery, representative of
battery-powered washer)
Function **Cleaning surfaces**

Complies with the following Directives:
2006/42/EC, 2014/30/EU, 2011/65/EU,
2000/14/EC amended by 2005/88/EC

2000/14/EC amended by 2005/88/EC:
- Conformity Assessment Procedure as per **Annex V**
- Measured Sound Power Level **xx dB**
- Declared Guaranteed Sound Power Level **xx dB**

Standards conform to
EN 60335-1, EN 60335-2-54, EN 62233, EN
ISO 3744, EN 55014-1, EN 55014-2

The person authorized to compile the technical file,
Name: Marcel Filz
Address: Positec Germany GmbH, Grüner
Weg 10, 50825 Cologne, Germany



2018/11/22
Allen Ding
Deputy Chief Engineer, Testing & Certification
Positec Technology (China) Co., Ltd.
18, Dongwang Road, Suzhou Industrial
Park, Jiangsu 215123, P. R. China