

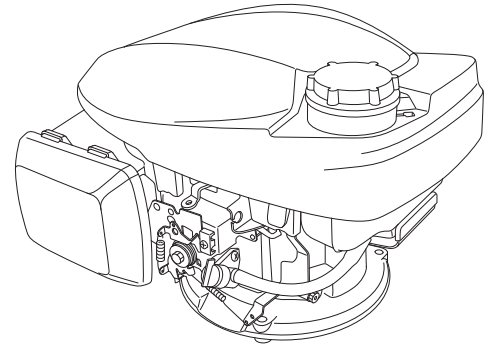
HONDA

OWNER'S MANUAL

GCV145 · GCV170 · GCV200

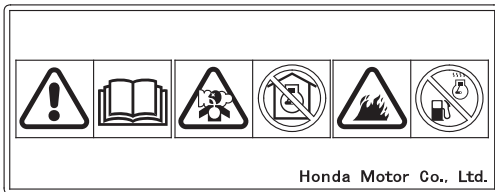
⚠ WARNING

The engine exhaust from this product contains chemicals known to the State of California to cause cancer, birth defects or other reproductive harm.



• The illustration may vary according to the type.

SAFETY LABEL LOCATION / COMPONENT & CONTROL LOCATIONS



Read Owner's Manual before operation.

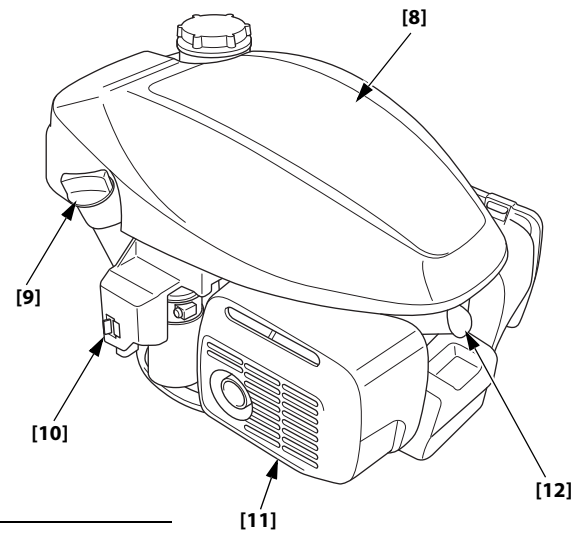
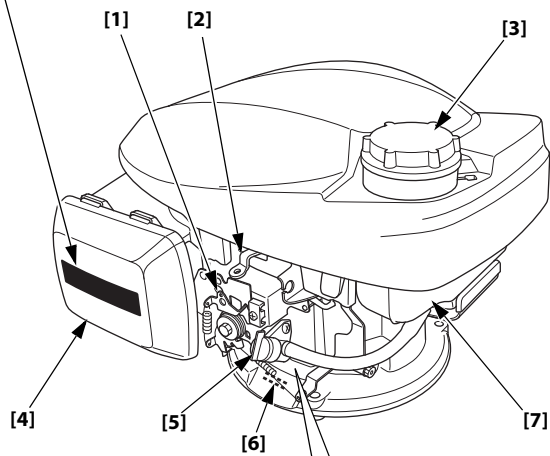


The engine emits toxic poisonous carbon monoxide gas. Do not run in an enclosed area.

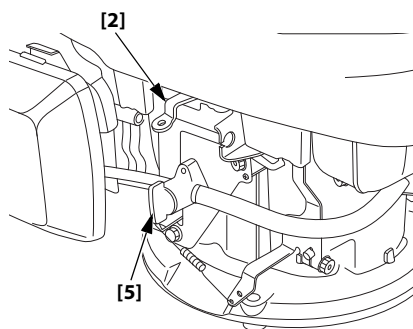


Gasoline is highly flammable and explosive. Stop the engine and let cool before refueling.

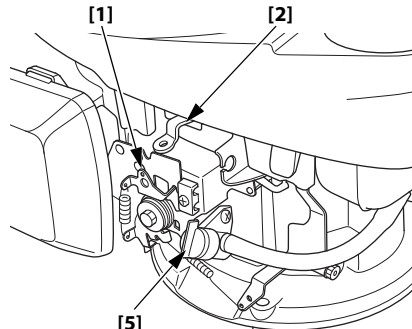
**Manual Choke Type
(Without CHOKE LEVER type)
(applicable types)**



**Automatic Choke Type
(FIXED THROTTLE type)
(applicable types)**



**Automatic Choke Type
(MANUAL THROTTLE type)
(applicable types)**



- [1] CONTROL LEVER (applicable types)
- [2] FLYWHEEL BRAKE LEVER (applicable types)
- [3] FUEL TANK CAP
- [4] AIR CLEANER
- [5] FUEL VALVE LEVER
- [6] SERIAL NUMBER & ENGINE TYPE
- [7] FUEL TANK
- [8] TOP COVER
- [9] OIL FILLER CAP
- [10] USB CHARGING PORT
- [11] MUFFLER
- [12] SPARK PLUG

ENGLISH

FRANÇAIS

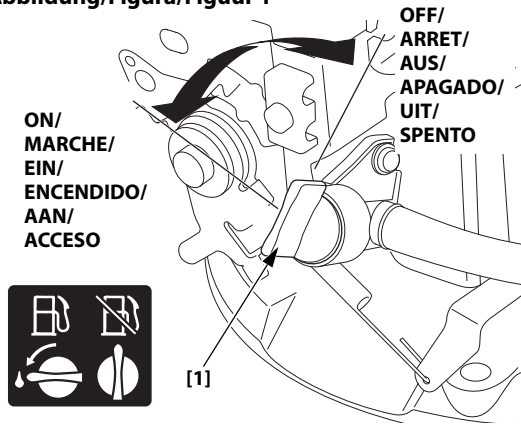
DEUTSCH

ESPAÑOL

NEDERLANDS

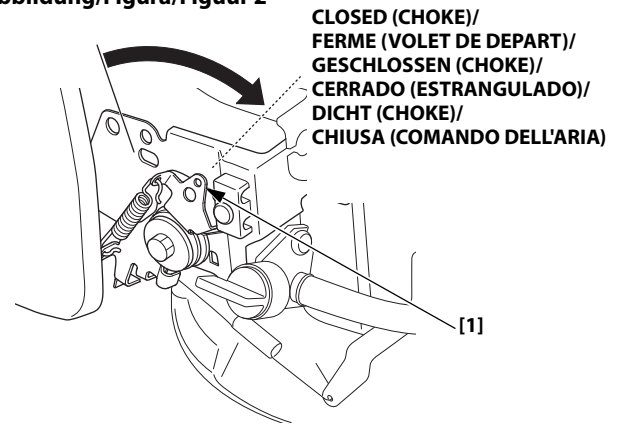
ITALIANO

Figure/Abbildung/Figura/Figuur 1



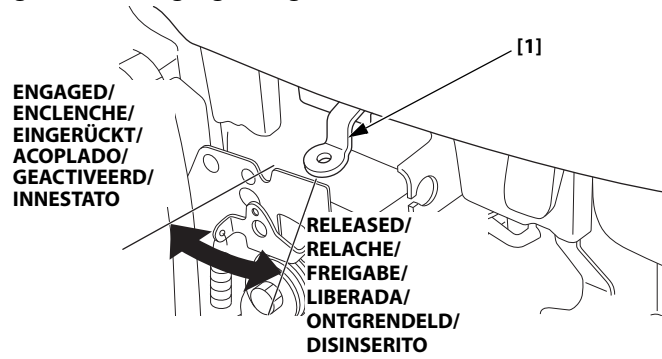
EN	[1] FUEL VALVE LEVER
FR	[1] LEVIER DE ROBINET A ESSENCE
DE	[1] KRAFTSTOFFHAHN
ES	[1] PALANCA DE LA VÁLVULA DE COMBUSTIBLE
NL	[1] BRANDSTOFKRAAN
IT	[1] LEVA VALVOLA CARBURANTE

Figure/Abbildung/Figura/Figuur 2



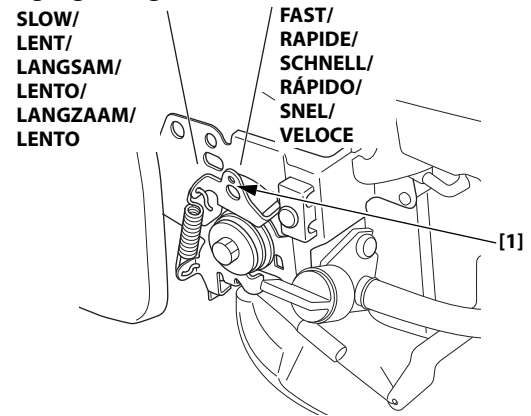
EN	[1] CONTROL LEVER (applicable types)
FR	[1] LEVIER DE COMMANDE (selon type)
DE	[1] STEUERHEBEL (Typen mit entsprechender Ausstattung)
ES	[1] PALANCA DE CONTROL (tipos aplicables)
NL	[1] BEDIENINGSHENDEL (sommige uitvoeringen)
IT	[1] LEVA DI COMANDO (tipi applicabili)

Figure/Abbildung/Figura/Figuur 3



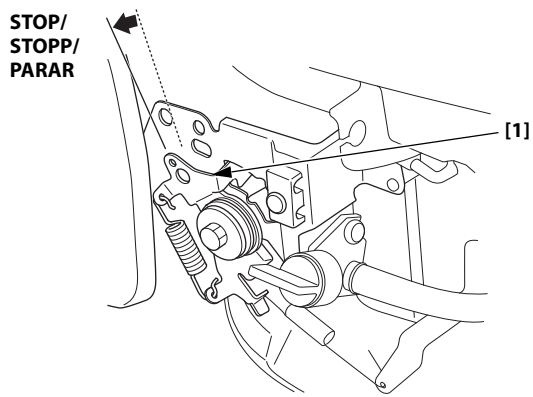
EN	[1] FLYWHEEL BRAKE LEVER (applicable types)
FR	[1] LEVIER DE FREIN DE VOLANT MOTEUR (selon type)
DE	[1] SCHWUNGRADBREMSEHEBEL (Typen mit entsprechender Ausstattung)
ES	[1] PALANCA DEL FRENO DEL VOLANTE DE MOTOR (tipos aplicables)
NL	[1] VLIEGWIELREMHENDEL (sommige uitvoeringen)
IT	[1] LEVA DEL FRENO VOLANO (tipi applicabili)

Figure/Abbildung/Figura/Figuur 4



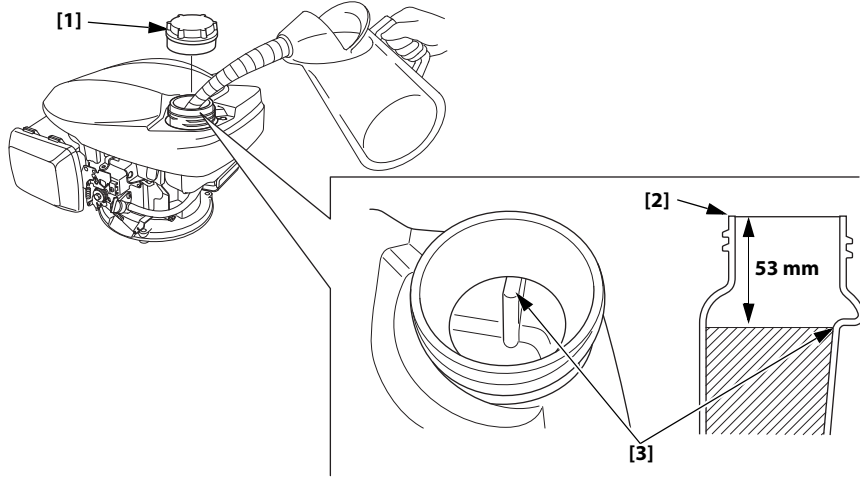
EN	[1] CONTROL LEVER (applicable types)
FR	[1] LEVIER DE COMMANDE (selon type)
DE	[1] STEUERHEBEL (Typen mit entsprechender Ausstattung)
ES	[1] PALANCA DE CONTROL (tipos aplicables)
NL	[1] BEDIENINGSHENDEL (sommige uitvoeringen)
IT	[1] LEVA DI COMANDO (tipi applicabili)

Figure/Abbildung/Figura/Figuur 5



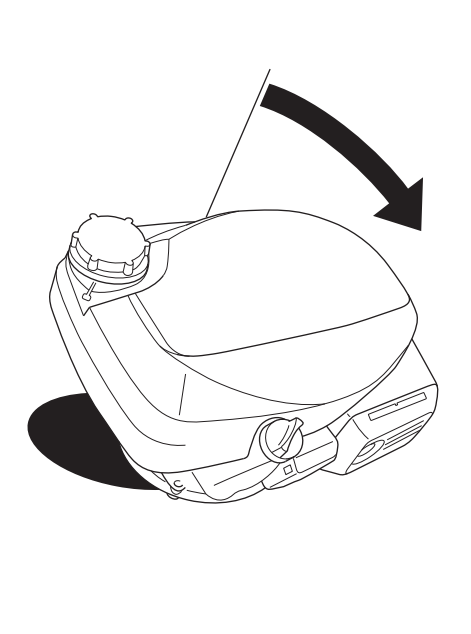
EN	[1] CONTROL LEVER (applicable types)
FR	[1] LEVIER DE COMMANDE (selon type)
DE	[1] STEUERHEBEL (Typen mit entsprechender Ausstattung)
ES	[1] PALANCA DE CONTROL (tipos aplicables)
NL	[1] BEDIENINGSHENDEL (sommige uitvoeringen)
IT	[1] LEVA DI COMANDO (tipi applicabili)

Figure/Abbildung/Figura/Figuur 6

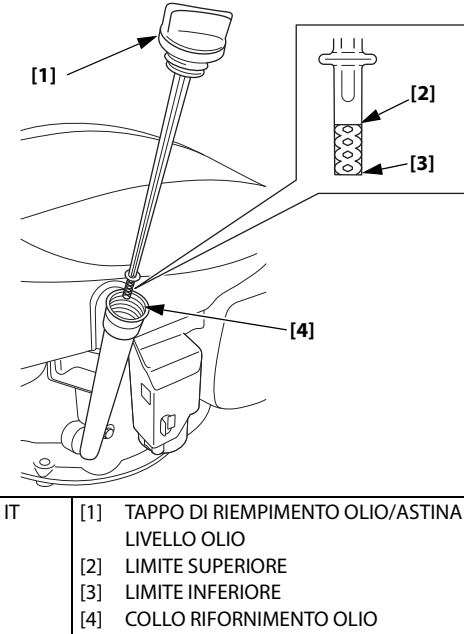


EN	[1] FUEL TANK CAP [2] FUEL FILLER NECK [3] UPPER LEVEL
FR	[1] BOUCHON DU RESERVOIR DE CARBURANT [2] GOULOT DE REMPLISSAGE DE CARBURANT [3] NIVEAU SUPERIEUR
DE	[1] TANKDECKEL [2] KRAFTSTOFFEINFÜLLSTUTZEN [3] HÖCHSTSTAND
ES	[1] TAPÓN DEL DEPÓSITO DE COMBUSTIBLE [2] CUELLO DE RELLENO DE COMBUSTIBLE [3] NIVEL SUPERIOR
NL	[1] BRANDSTOFTANKDOP [2] BRANDSTOFVULNEK [3] BOVENSTE PEIL
IT	[1] TAPPO SERBATOIO CARBURANTE [2] BOCCHETTONE DI RIFORNIMENTO CARBURANTE [3] LIVELLO SUPERIORE

Figure/Abbildung/Figura/Figuur 7

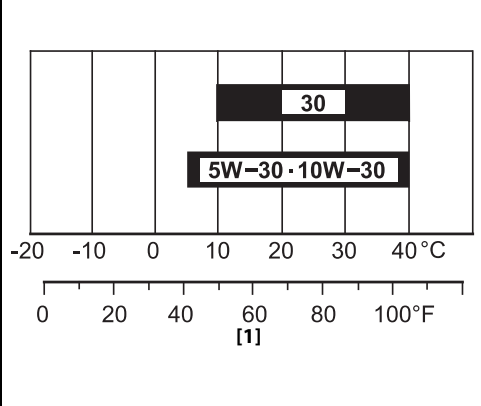


Figure/Abbildung/Figura/Figuur 8



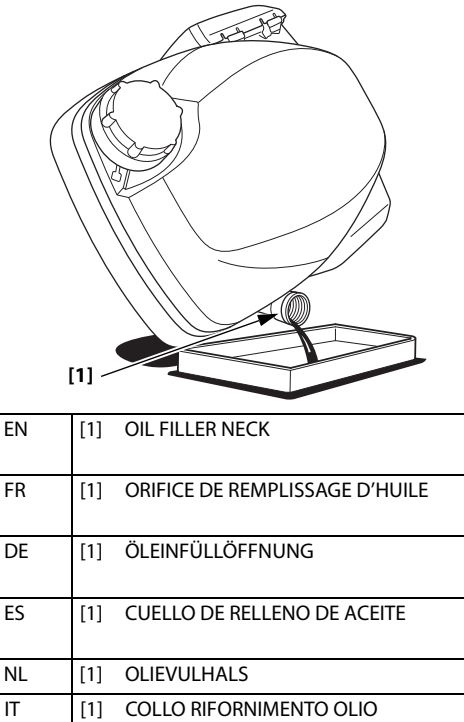
EN	[1] OIL FILLER CAP/DIPSTICK [2] UPPER LIMIT [3] LOWER LIMIT [4] OIL FILLER NECK
FR	[1] JAUGE/BOUCHON DE REMPLISSAGE D'HUILE [2] LIMITE SUPERIEURE [3] LIMITE INFERIEURE [4] ORIFICE DE REMPLISSAGE D'HUILE
DE	[1] ÖLEINFÜLLVERSCHLUSS/MESSSTAB [2] OBERER PEGEL [3] UNTERER PEGEL [4] ÖLEINFÜLLÖFFNUNG
ES	[1] TAPA DE RELLENO/VARILLA DE MEDICIÓN DEL NIVEL DE ACEITE [2] LÍMITE SUPERIOR [3] LÍMITE INFERIOR [4] CUELLO DE RELLENO DE ACEITE
IT	[1] TAPPO DI RIEMPIMENTO OLIO/ASTINA LIVELLO OLIO [2] LIMITE SUPERIORE [3] LIMITE INFERIORE [4] COLLO RIFORNIMENTO OLIO
NL	[1] OLIEVULDOP/PEILSTOK [2] HOOGSTE PEIL [3] LAAGSTE PEIL [4] OLIEVULHALS

Figure/Abbildung/Figura/Figuur 9



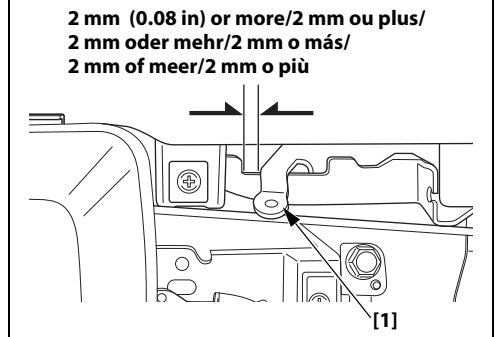
EN	[1] AMBIENT TEMPERATURE
FR	[1] TEMPÉRATURE AMBIANTE
DE	[1] UMGEBUNGSTEMPERATUR
ES	[1] TEMPERATURA AMBIENTAL
NL	[1] OMGEVINGSTEMPERATUUR
IT	[1] TEMPERATURA AMBIENTE

Figure/Abbildung/Figura/Figuur 10



EN	[1] OIL FILLER NECK
FR	[1] ORIFICE DE REMPLISSAGE D'HUILE
DE	[1] ÖLEINFÜLLÖFFNUNG
ES	[1] CUELLO DE RELLENO DE ACEITE
NL	[1] OLIEVULHALS
IT	[1] COLLO RIFORNIMENTO OLIO

Figure/Abbildung/Figura/Figuur 11



EN	[1] FLYWHEEL BRAKE LEVER (applicable types)
FR	[1] LEVIER DE FREIN DE VOLANT MOTEUR (selon type)
DE	[1] SCHWUNGRADBREMSEHEBEL (Typen mit entsprechender Ausstattung)
ES	[1] PALANCA DEL FRENO DEL VOLANTE DE MOTOR (tipos aplicables)
NL	[1] VLIEGWIELREMHENDEL (sommige uitvoeringen)
IT	[1] LEVA DEL FRENO VOLANO (tipi applicabili)

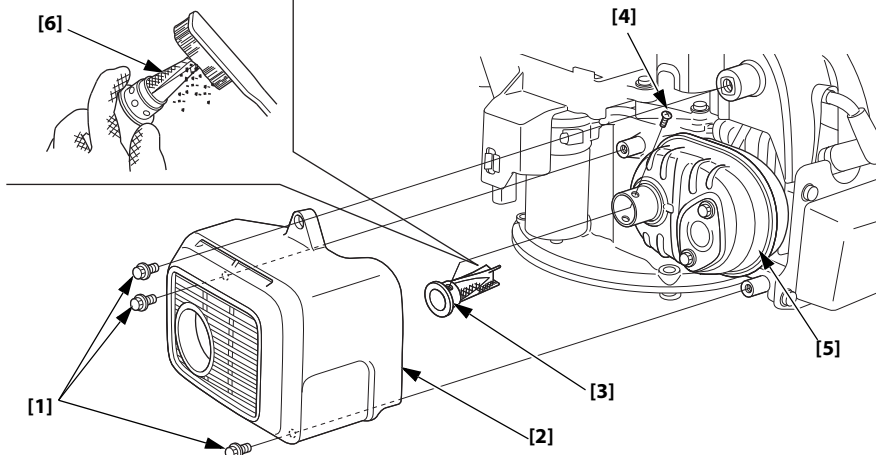
Figure/Abbildung/Figura/Figuur 12				EN	[1] AIR CLEANER COVER [2] UPPER TABS [3] LOWER TABS [4] ELEMENT [5] AIR CLEANER CASE [6] AIR DUCT
				FR	[1] COUVERCLE DE FILTRE A AIR [2] LANGUETTES SUPERIEURES [3] LANGUETTES INFERIEURES [4] ELEMENT FILTRANT [5] BOITIER DE FILTRE A AIR [6] CONDUIT D'AIR
				DE	[1] LUFTFILTERDECKEL [2] OBERE ANSÄTZE [3] UNTERE ANSÄTZE [4] FILTEREINSATZ [5] LUFTFILTERGEHÄUSE [6] LUFTKANAL
ES	[1] TAPA DEL FILTRO DE AIRE [2] LENGÜETAS SUPERIORES [3] LENGÜETAS INFERIORES [4] ELEMENTO [5] CAJA DEL FILTRO DE AIRE [6] CONDUCTO DE AIRE	NL	[1] LUCHTFILTERDEKSEL [2] BOVENSTE LIPJES [3] ONDERSTE KLEMMEN [4] ELEMENT [5] BEHUIZING LUCHTFILTER [6] LUCHTKANAAL	IT	[1] COPERCHIO FILTRO ARIA [2] LINGUETTE SUPERIORI [3] LINGUETTE INFERIORI [4] ELEMENTO [5] CORPO DEL FILTRO DELL'ARIA [6] CONDOTTO DELL'ARIA

Figure/Abbildung/Figura/Figuur 13				EN	[1] SPARK PLUG WRENCH [2] SIDE ELECTRODE [3] SPARK PLUG
				FR	[1] CLE A BOUGIE [2] ELECTRODE LATÉRALE [3] BOUGIE D'ALLUMAGE
				DE	[1] ZÜNDKERZENSCHLÜSSEL [2] SEITENELEKTRODE [3] ZÜNDKERZE
ES	[1] LLAVE DE BUJÍAS [2] ELECTRODO LATERAL [3] BUJÍA	NL	[1] BOUGIESLEUTEL [2] MASSA-ELEKTRODE [3] BOUGIE	IT	[1] CHIAVE PER CANDELE [2] ELETTRODO LATERALE [3] CANDELA

Figure/Abbildung/Figura/Figuur 14			
EN	[1] SCREW [2] SPRING NUT		
FR	[1] VIS [2] ÉCROU DE RESSORT		
DE	[1] SCHRAUBE [2] FEDERMUTTER		
ES	[1] TORNILLO [2] TUERCA DE RESORTE		
NL	[1] SCHROEF [2] MOERCLIP		
IT	[1] VITE [2] DADO MOLLA		

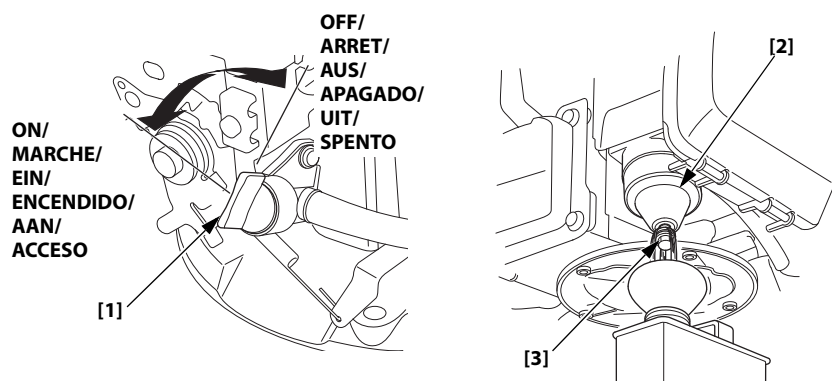
Figure/Abbildung/Figura/Figuur 15				EN	[1] FUEL TANK CAP [2] TOP COVER [3] TABS
				FR	[1] BOUCHON DU RESERVOIR DE CARBURANT [2] CAPOT SUPÉRIEUR [3] LANGUETTES
				DE	[1] TANKDECKEL [2] OBERE ABDECKUNG [3] ANSÄTZE
				ES	[1] TAPÓN DEL DEPÓSITO DE COMBUSTIBLE [2] CUBIERTA SUPERIOR [3] PESTAÑAS
				NL	[1] BRANDSTOFTANKDOP [2] BOVENKAP [3] LIPJES
				IT	[1] TAPPO SERBATOIO CARBURANTE [2] COPERTURA SUPERIORE [3] LINGUETTE

Figure/Abbildung/Figura/Figuur 16



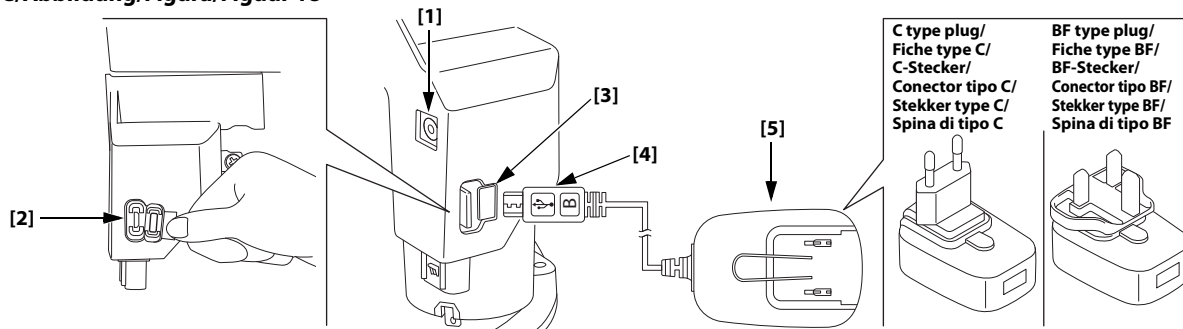
EN	[1] 6 mm BOLT (3) [2] MUFFLER PROTECTOR [3] SPARK ARRESTER [4] SCREW [5] MUFFLER [6] SCREEN
FR	[1] BOULON 6 mm (3) [2] PROTECTEUR DE SILENCIEUX [3] PARE-ETINCELLES [4] VIS [5] SILENCIEUX [6] ECRAN
DE	[1] 6-mm-SCHRAUBE (3) [2] AUSPUFFTOPFSCHUTZ [3] FUNKENSCHUTZ [4] SCHRAUBE [5] AUSPUFFTOPF [6] SIEB
ES	[1] PERNO de 6mm (3) [2] PROTECTOR DEL SILENCIADOR [3] PARACHISPAS [4] TORNILLO [5] SILENCIADOR [6] REJILLA
NL	[1] 6mm-BOUT (3) [2] UITLAATDEMPERBESCHERMER [3] VONKENVANGER [4] SCHROEF [5] UITLAATDEMPER [6] ZEEF VAN DE VONKENVANGER
IT	[1] BULLONE da 6mm (3) [2] PROTEZIONE DELLA MARMITTA [3] ARRESTA SCINTILLA [4] VITE [5] MARMITTA [6] SCHERMO

Figure/Abbildung/Figura/Figuur 17



EN	[1] FUEL VALVE LEVER [2] FLOAT CHAMBER [3] DRAIN BOLT
FR	[1] LEVIER DE ROBINET D'ESSENCE [2] CUVE A NIVEAU CONSTANT [3] BOULON DE VIDANGE
DE	[1] KRAFTSTOFFHAHN [2] SCHWIMMERKAMMER [3] ABLASSSCHRAUBE
ES	[1] PALANCA DE LA VÁLVULA DE COMBUSTIBLE [2] CÁMARA DEL FLOTADOR [3] PERNO DE DRENAJE
NL	[1] BRANDSTOFKRAAN [2] VLOTTERKAMER [3] AFTAPSTOP
IT	[1] LEVA VALVOLA CARBURANTE [2] VASCHETTA [3] BULLONE DI SCARICO

Figure/Abbildung/Figura/Figuur 18



EN	[1] BATTERY INDICATOR [2] USB CHARGING PORT [3] RUBBER CAP [4] BATTERY CHARGE TERMINAL [5] EXTERNAL USB CHARGER PLUG	ES	[1] INDICADOR DE BATERÍA [2] PUERTO DE CARGA USB [3] TAPÓN DE GOMA [4] TERMINAL DE CARGA DE LA BATERÍA [5] CONECTOR DEL CARGADOR USB EXTERNO
FR	[1] INDICATEUR DE BATTERIE [2] PORT DE CHARGEMENT USB [3] CAPUCHON EN CAOUTCHOUC [4] BORNE DE CHARGEMENT DE BATTERIE [5] FICHE DE CHARGEUR USB EXTERNE	NL	[1] ACCU-INDICATOR [2] USB-OPLAADPOORT [3] RUBBER DEKSEL [4] ACCU-OPLAADSTEKKER [5] STEKKER VAN EXTERNE USB-LADER
DE	[1] AKKUANZEIGE [2] USB-LADEANSCHLUSS [3] GUMMIKAPPE [4] AKKU-LADEANSCHLUSS [5] EXTERNER USB-LADESTECKER	IT	[1] INDICATORE BATTERIA [2] PORTA DI CARICA USB [3] TAPPO IN GOMMA [4] TERMINALE DI CARICA USB [5] SPINA DISPOSITIVO DI CARICA USB ESTERNO

INTRODUCTION

Thank you for purchasing a Honda engine. We want to help you to get the best results from your new engine and to operate it safely. This manual contains information on how to do that; please read it carefully before operating the engine. If a problem should arise, or if you have any questions about your engine, consult your servicing dealer.

All information in this publication is based on the latest product information available at the time of printing. Honda Motor Co., Ltd. reserves the right to make changes at any time without notice and without incurring any obligation. No part of this publication may be reproduced without written permission.

This manual should be considered a permanent part of the engine and should remain with the engine if resold.

We suggest you read the warranty policy to fully understand its coverage and your responsibilities of ownership.


Review the instructions provided with the equipment powered by this engine for any additional information regarding engine startup, shutdown, operation, adjustments or any special maintenance instructions.

CONTENTS

SAFETY MESSAGES.....	1	HELPFUL TIPS & SUGGESTIONS.....	7
SAFETY INFORMATION.....	1	STORING YOUR ENGINE.....	7
BEFORE OPERATION CHECKS.....	2	TRANSPORTING.....	8
OPERATION.....	2	TAKING CARE OF UNEXPECTED	
SAFE OPERATING PRECAUTIONS....	2	PROBLEMS.....	8
STARTING THE ENGINE.....	2	TECHNICAL INFORMATION.....	8
STOPPING THE ENGINE.....	3	CONSUMER INFORMATION.....	11
SERVICING YOUR ENGINE.....	4	Warranty and Distributor/ Dealer Locator Information.....	11
THE IMPORTANCE OF		Customer Service Information.....	11
MAINTENANCE.....	4		
MAINTENANCE SAFETY.....	4		
SAFETY PRECAUTIONS.....	4		
MAINTENANCE SCHEDULE.....	4		
REFUELING.....	4		
ENGINE OIL.....	5		
AIR CLEANER.....	5		
SPARK PLUG.....	6		
SPARK ARRESTER.....	6		
BATTERY CHARGE.....	6		

SAFETY MESSAGES

Your safety and the safety of others are very important. We have provided important safety messages in this manual and on the engine. Please read these messages carefully.

A safety message alerts you to potential hazards that could hurt you or others. Each safety message is preceded by a safety alert symbol  and one of three words, DANGER, WARNING, or CAUTION.

These signal words mean:

DANGER

You WILL be KILLED or SERIOUSLY HURT if you don't follow instructions.

WARNING

You CAN be KILLED or SERIOUSLY HURT if you don't follow instructions.

CAUTION

You CAN be HURT if you don't follow instructions.

Each message tells you what the hazard is, what can happen, and what you can do to avoid or reduce injury.

DAMAGE PREVENTION MESSAGES

You will also see other important messages that are preceded by the word NOTICE.

This word means:

NOTICE

Your engine or other property can be damaged if you don't follow instructions.

The purpose of these messages is to help prevent damage to your engine, other property, or the environment.

SAFETY INFORMATION

- Understand the operation of all controls and learn how to stop the engine quickly in case of emergency. Make sure the operator receives adequate instruction before operating the equipment.
- Do not allow children to operate the engine. Keep children and pets away from the area of operation.
- Your engine's exhaust contains poisonous carbon monoxide. Do not run the engine without adequate ventilation, and never run the engine indoors.
- The engine and exhaust become very hot during operation. Keep the engine at least 1 meter (3 feet) away from buildings and other equipment during operation. Keep flammable materials away, and do not place anything on the engine while it is running.

Disposal



To protect the environment, do not dispose of this product, battery, etc. carelessly by leaving them in the waste. Observe the local laws and regulations or consult an authorized dealer of your equipment (e.g. lawnmower) for disposal.

SAFETY LABEL LOCATION

See page A-1.

This label warns you of potential hazards that can cause serious injury. Read it carefully.

If the label comes off or becomes hard to read, contact your Honda servicing dealer for replacement.

COMPONENT & CONTROL LOCATIONS

See page A-1.

BEFORE OPERATION CHECKS

IS YOUR ENGINE READY TO GO?

For your safety, to ensure compliance with environmental regulations, and to maximize the service life of your equipment, it is very important to take a few moments before you operate the engine to check its condition. Be sure to take care of any problem you find, or have your servicing dealer correct it, before you operate the engine.

⚠ WARNING

Failure to properly maintain this engine, or failing to correct a problem before operation, could result in a significant malfunction.

Some malfunctions can cause serious injuries or death.

Always perform a pre-operation inspection before each operation and correct any problems.

Before beginning your pre-operation checks, be sure the engine is level and stopped.

Always check the following items before you start the engine:

Check the General Condition of the Engine

1. Look around and underneath the engine for signs of oil or gasoline leaks.
2. Remove any excessive dirt or debris, especially around the muffler and top cover.
3. Look for signs of damage.
4. Check that all shields and covers are in place, and all nuts, bolts, and screws are tightened.

Check the Engine

1. Check the fuel level (see page 4). Starting with a full tank will help to eliminate or reduce operating interruptions for refueling.
2. Check the engine oil level (see page 5). Running the engine with a low oil level can cause engine damage.
3. Check the air filter element (see page 5). A dirty air filter element will restrict air flow to the carburetor, reducing engine performance.
4. Check the amount of battery charge (see page 6).
5. Check the equipment powered by this engine.

Review the instructions provided with the equipment powered by this engine for any precautions and procedures that should be followed before engine startup.

OPERATION

SAFE OPERATING PRECAUTIONS

Before operating the engine for the first time, please review the *SAFETY INFORMATION* section on page 1 and the *BEFORE OPERATION CHECKS* on page 2.

Carbon Monoxide Hazards

For your safety, do not operate the engine in an enclosed area such as a garage. Your engine's exhaust contains poisonous carbon monoxide gas that can collect rapidly in an enclosed area and cause illness or death.

⚠ WARNING

Exhaust contains poisonous carbon monoxide gas that can build up to dangerous levels in closed areas.

Breathing carbon monoxide can cause unconsciousness or death.

Never run the engine in a closed, or even partly closed area.

Review the instructions provided with the equipment powered by this engine for any safety precautions that should be observed with engine startup, shutdown or operation.

Do not operate the engine on slopes greater than 15° (26%).

Battery Handling

NOTICE

If you do not follow the instructions below, it may cause short circuit, heat generation, ignition, gas injection, and liquid leakage.

- Do not disassemble and modify the battery.
- Do not apply strong impacts such as dropping or putting heavy thing on.
- If the battery falls into water, do not continue to use same battery.
- Do not remove the label attached to the top of the battery.

⚠ CAUTION

If some problem such as odor, heat generation, deforming, and discoloring occur during using, storing, charging the battery, stop using the battery immediately.

If battery leaks get on your skin or clothes, rinse with clean water.

If battery leaks splash into your eyes, rinse thoroughly with clean water and get medical attention immediately without rubbing your eyes.

Failure to do so can cause eye damage.

STARTING THE ENGINE

Do not use the choke if the engine is warm or the air temperature is high.

• Manual Choke Type (applicable types)

1. Turn the fuel valve lever to the ON position.
See Figure 1, page A-2.
2. [Without CHOKE LEVER type] (applicable types)
Move the control lever to the CLOSED (CHOKE) position.
See Figure 2, page A-2.
3. With FLYWHEEL BRAKE LEVER type (applicable types):
Move the flywheel brake lever to the RELEASED position. The engine switch, which is linked with the flywheel brake lever, is turned on when the flywheel brake lever is moved to the RELEASED position.
See Figure 3, page A-2.
4. Clutch the brake lever of the equipment powered by this engine.
The battery indicator lights on or flashes for 5 seconds to indicate the battery charge state (see page 6) when the brake lever of the equipment powered by this engine is clutched.

5. While holding the brake lever, push the engine start button of the equipment powered by this engine. Then the battery indicator lights off, and the engine starts.

NOTICE

Do not start the engine when the equipment powered by this engine is limited in function (for example, when a blade of lawn mower is locked). If the engine starting procedure is tried in that state, the starter rotation will stop automatically. The engine cannot be started if the starter does not rotate.

And then if the engine starting procedure is tried several times, the battery indicator will not be indicated and the engine will not start because of battery protection. Wait for a while and try to start the engine again.

If the engine fails to start within 3 seconds, the battery indicator lights on or flashes for 5 seconds again to indicate the battery charge state (see page 6).

After the battery charge state is indicated, push the engine start button again.

NOTICE

If the battery indicator flashes, the battery is low. A longer working time is recommended to secure the sufficient amount of battery charge through self-charging.

If the battery indicator is off during starting procedures, charge the battery with the external USB charger (see page 6).

NOTICE

If the engine starts after storage for more than 1 month, push the engine start button of the equipment powered by this engine to start the battery and make sure that the battery indicator is flashes.

6. [Without CHOKE LEVER type] (applicable types)

When the engine warms up, move the control lever to FAST or SLOW position.

See Figure 4, page A-2.

- **Automatic Choke Type (applicable types)**

1. Turn the fuel valve lever to the ON position. See Figure 1, page A-2.
2. With FLYWHEEL BRAKE LEVER type (applicable types): Move the flywheel brake lever to the RELEASED position. See Figure 3, page A-2.
3. [MANUAL THROTTLE type] (applicable types) Move the control lever to the FAST position. See Figure 4, page A-2.
4. Clutch the brake lever of the equipment powered by this engine. The battery indicator lights on or flashes for 5 seconds to indicate the battery charge state (see page 6) when the brake lever of the equipment powered by this engine is clutched.
5. While holding the brake lever, push the engine start button of the equipment powered by this engine. Then the battery indicator lights off, and the engine starts.

NOTICE

Do not start the engine when the equipment powered by this engine is limited in function (for example, when a blade of lawn mower is locked). If the engine starting procedure is tried in that state, the starter rotation will stop automatically. The engine cannot be started if the starter does not rotate.

And then if the engine starting procedure is tried several times, the battery indicator will not be indicated and the engine will not start because of battery protection. Wait for a while and try to start the engine again.

If the engine fails to start within 3 seconds, the battery indicator lights on or flashes for 5 seconds again to indicate the battery charge state (see page 6).

After the battery charge state is indicated, push the engine start button again.

NOTICE

If the battery indicator flashes, the battery is low. A longer working time is recommended to secure the sufficient amount of battery charge through self-charging.

If the battery indicator is off during starting procedures, charge the battery with the external USB charger (see page 6).

NOTICE

If the engine starts after storage for more than 1 month, push the engine start button of the equipment powered by this engine to start the battery and make sure that the battery indicator is flashes.

6. [MANUAL THROTTLE type] (applicable types)

Position the control lever for the desired engine speed.

STOPPING THE ENGINE

1. [MANUAL THROTTLE type] (applicable types)

Move the control lever to the SLOW position. See Figure 4, page A-2.

2. With FLYWHEEL BRAKE LEVER type (applicable types):

Return the flywheel brake lever to the ENGAGED position. The engine switch, which is linked with the flywheel brake lever, is turned off when the flywheel brake lever is moved to the ENGAGED position. See Figure 3, page A-2.

Without FLYWHEEL BRAKE LEVER type (applicable types):

Move the control lever to the STOP position.

The engine switch, which is linked with the control lever, is turned off when the control lever is moved to the STOP position.

See Figure 5, page A-2.

3. Turn the fuel valve lever to the OFF position.

See Figure 1, page A-2.

SERVICING YOUR ENGINE

THE IMPORTANCE OF MAINTENANCE

Good maintenance is essential for safe, economical and trouble-free operation. It will also help reduce pollution.

⚠ WARNING

Failure to properly maintain this engine, or failing to correct a problem before operation, could result in a significant malfunction.

Some malfunctions can cause serious injuries or death.

Always follow the inspection and maintenance recommendations and schedules in this owner's manual.

To help you properly care for your engine, the following pages include a maintenance schedule, routine inspection procedures, and simple maintenance procedures using basic hand tools. Other service tasks that are more difficult, or require special tools, are best handled by professionals and are normally performed by a Honda technician or other qualified mechanic.

The maintenance schedule applies to normal operating conditions. If you operate your engine under severe conditions, such as sustained high-load or high-temperature operation, or use in unusually wet or dusty conditions, consult your Honda servicing dealer for recommendations applicable to your individual needs and use.

Use only Honda Genuine parts or their equivalent. The use of replacement parts which are not of equivalent quality may damage the engine.

Maintenance, replacement, or repair of the emission control devices and systems may be performed by any engine repair establishment or individual, using parts that are "certified" to EPA standards.

MAINTENANCE SAFETY

Some of the most important safety precautions follow. However, we cannot warn you of every conceivable hazard that can arise in performing maintenance. Only you can decide whether or not you should perform a given task.

⚠ WARNING

Improper maintenance can cause an unsafe condition.

Failure to properly follow maintenance instructions and precautions can cause serious injuries or death.

Always follow the procedures and precautions in this owner's manual.

SAFETY PRECAUTIONS

- Make sure the engine is off before you begin any maintenance or repairs. To prevent unintentional startup, disconnect the spark plug cap. This will eliminate several potential hazards:
 - **Carbon monoxide poisoning from engine exhaust.**
Operate outside, away from open windows or doors.
 - **Burns from hot parts.**
Let the engine and exhaust system cool before touching.
 - **Injury from moving parts.**
Do not run the engine unless instructed to do so.
- Read the instructions before you begin, and make sure you have the tools and skills required.
- To reduce the possibility of fire or explosion, be careful when working around gasoline. Use only a non-flammable solvent, not gasoline, to clean parts. Keep cigarettes, sparks and flames away from all fuel related parts.

Remember that an authorized Honda servicing dealer knows your engine best and is fully equipped to maintain and repair it.

To ensure the best quality and reliability, use only new Honda Genuine parts or their equivalents for repair and replacement.

MAINTENANCE SCHEDULE

REGULAR SERVICE PERIOD (1)		Each use	First month or 5 hrs.	Every 3 months or 25 hrs.	Every 6 months or 50 hrs.	Every year or 100 hrs.	150 hrs.	Every 2 year or 250 hrs.	Refer to Page
ITEM	Perform at every indicated month or operating hours interval, whichever comes first.								
Engine oil	Check level	o							5
	Change		o		o (2)				5
Air cleaner	Check	o							5
	Clean			o (3)					5
	Replace							o	5
Flywheel brake pad (applicable types)	Check				o				6
Spark plug	Check-adjust					o			6
	Replace							o	6
Spark arrester (applicable types)	Clean					o (5)			Shop manual
Idle speed	Check					o (4)			Shop manual
Fuel tank and filter	Clean					o (4)			Shop manual
Valve clearance	Check-adjust						o (4)		Shop manual
Combustion chamber	Clean	After every 250 hrs. (4)							Shop manual
Fuel tube	Check	Every 2 years (Replace if necessary) (4)							Shop manual

- (1) For commercial use, log hours of operation to determine proper maintenance intervals.
- (2) Change engine oil every 25 hours when used heavy load or in high ambient temperature.
- (3) Service more frequently when used in dusty areas.
- (4) These items should be serviced by your servicing dealer, unless you have the proper tools and are mechanically proficient. Refer to Honda shop manual for service procedures.
- (5) In Europe and other countries where the machinery directive 2006/42/EC is enforced, this cleaning should be done by your servicing dealer.

To perform maintenance on the lower part of the engine (Machine), turn it 90° and lay it down with the carburetor/air cleaner always at the top. See Figure 7, page A-3.

REFUELING

See Figure 6, page A-3.

Recommended Fuel

Unleaded gasoline	
U.S.	Pump octane rating 86 or higher
Except U.S.	Research octane rating 91 or higher
	Pump octane rating 86 or higher

Fuel specification(s) necessary to maintain the performance of the emissions control system: E10 fuel referenced in EU regulation.

This engine is certified to operate on unleaded gasoline with a research octane rating of 91 or higher (a pump octane rating of 86 or higher).

Refuel in a well ventilated area with the engine stopped. If the engine has been running, allow it to cool first. Never refuel the engine inside a building where gasoline fumes may reach flames or sparks.

You may use unleaded gasoline containing no more than 10% ethanol (E10) or 5% methanol by volume. In addition, methanol must contain cosolvents and corrosion inhibitors. Use of fuels with content of ethanol or methanol greater than shown above may cause starting and/or performance problems. It may also damage metal, rubber, and plastic parts of the fuel system. Engine damage

or performance problems that result from using a fuel with percentages of ethanol or methanol greater than shown above are not covered under the Warranty.

⚠ WARNING

Gasoline is highly flammable and explosive.

You can be burned or seriously injured when handling fuel.

- Stop the engine and let it cool before handling fuel.
- Keep heat, sparks, and flame away.
- Handle fuel only outdoors.
- Keep away from your vehicle.
- Wipe up spills immediately.

NOTICE

Fuel can damage paint and some types of plastic. Be careful not to spill fuel when filling your fuel tank. Damage caused by spilled fuel is not covered under the Warranty.

Never use gasoline that is stale, contaminated, or mixed with oil. Avoid getting dirt or water in the fuel tank.

Refer to the instructions provided with the equipment powered by this engine for refuelling.

1. With the engine stopped and on a level surface, remove the fuel tank cap and check the fuel level. Refill the tank if the fuel level is low.
2. Add fuel to the upper level of the fuel tank. Wipe up spilled fuel before starting the engine.
3. Refuel carefully to avoid spilling fuel. Do not overfill the fuel tank (there should be no fuel in the fuel filler neck). It may be necessary to lower the fuel level depending on operating conditions. After refueling, tighten the fuel tank cap securely.

Keep gasoline away from appliance pilot lights, barbecues, electric appliances, power tools, etc.

Spilled fuel is not only a fire hazard, it causes environmental damage. Wipe up spills immediately.

ENGINE OIL

Oil is a major factor affecting performance and service life. Use 4-stroke automotive detergent oil.

Recommended Oil

See Figure 9, page A-3.

Use 4-stroke motor oil that meets or exceeds the requirements for API service category SE or later (or equivalent). Always check the API service label on the oil container to be sure it includes the letters SE or later (or equivalent).

Lubrication oil specifications necessary to maintain the performance of the emissions control system: Honda genuine oil.

SAE 10W-30 is recommended for general use. Other viscosities shown in the chart may be used when the average temperature in your area is within the indicated range.

Oil Level Check

See Figure 8, page A-3.

1. Remove the oil filler cap/dipstick and wipe it clean.
2. Insert the dipstick into the oil filler neck, but do not screw it in.
3. If the level is low, add the recommended oil to the upper limit on the dipstick.

4. Install the oil filler cap/dipstick.

NOTICE

Running the engine with a low oil level can cause engine damage. This type of damage is not covered under the Warranty.

Oil Change

See Figure 8, page A-3 and Figure 10, page A-3.

Drain the used oil when the engine is warm. Warm oil drains quickly and completely.

1. Turn the fuel valve lever to the OFF position. See Figure 1, page A-2.
2. Remove the oil filler cap and drain the oil into the oil container by inclining the engine toward the oil filler neck.
3. Refill with the recommended oil and check the oil level.

NOTICE

Running the engine with a low oil level can cause engine damage. This type of damage is not covered under the Warranty.

Engine oil capacity: 0.40 L (14 US oz, 0.35 Imp qt)

4. Install the oil filler cap/dipstick securely.

Wash your hands with soap and water after handling used oil.

NOTICE

Please dispose of used motor oil in a manner that is compatible with the environment. We suggest you take it in a sealed container to your local service station for reclamation. Do not throw it in the trash, pour it on the ground, or pour it down a drain.

AIR CLEANER

A dirty air cleaner will restrict air flow to the carburetor, reducing engine performance. If you operate the engine in very dusty areas, clean the air filter more often than specified in the *MAINTENANCE SCHEDULE* (see page 4).

NOTICE

Operating the engine without an air filter, or with a damaged air filter, will allow dirt to enter the engine, causing rapid engine wear. This type of damage is not covered under the Warranty.

Inspection

Remove the air cleaner cover and inspect the filter element. Clean or replace a dirty filter element. Always replace a damaged filter element.

Cleaning

See Figure 12, page A-4.

1. Remove the air cleaner cover by unhooking the two upper tabs on the top of the air cleaner cover and the two lower tabs.
2. Remove the element. Carefully check the element for holes or tears and replace if damaged.
3. Tap the element lightly several times on a hard surface to remove excess dirt, or blow compressed air 29 psi (200 kPa) through the filter from the inside out. Never try to brush the dirt off; brushing will force dirt into the fibers. Replace the element if it is excessively dirty.
4. Wipe dirt from the inside of the air cleaner case and cover using a moist rag. Be careful to prevent dirt from entering the air duct that leads to the carburetor.
5. Install the element and the air cleaner cover.

FLYWHEEL BRAKE Inspection (applicable types)

Check the flywheel brake lever clearance. If it is less than 2 mm (0.08 in), take the engine to an authorized Honda dealer.
See Figure 11, page A-3.

SPARK PLUG

See Figure 13, page A-4.

Recommended Spark Plug: BPR5ES (NGK)

The recommended spark plug has the correct heat range for normal engine operating temperatures.

NOTICE

An incorrect spark plug can cause engine damage.

If the engine has been running, let it cool before servicing the spark plug.

For good performance, the spark plug must be properly gapped and free of deposits.

1. Disconnect the spark plug cap, and remove any dirt from around the spark plug area.
2. Remove the spark plug with the spark plug wrench.
3. Visually inspect the spark plug. Discard the spark plug if there is apparent wear, or if the insulator is cracked or chipped.
Clean the spark plug with a wire brush if it is to be reused.
4. Measure the spark plug electrode gap with a feeler gauge. Correct as necessary by bending the side electrode.

The gap should be:

0.7–0.8 mm (0.028–0.031 in)

5. Check that the spark plug washer is in good condition and thread the spark plug in by hand to prevent cross-threading.
6. After the spark plug is seated, tighten with the spark plug wrench to compress the washer.

When installing a new spark plug, tighten 1/2 turn after the spark plug seats to compress the washer.

When reinstalling a used spark plug, tighten 1/8–1/4 turn after the spark plug seats to compress the washer.

TORQUE: 20 N·m (15 lbf·ft, 2.0 kgf·m)

NOTICE

*A loose spark plug can overheat and damage the engine.
Overtightening the spark plug can damage the threads in the cylinder head.*

7. Attach the spark plug cap to the spark plug.

SPARK ARRESTER (applicable types)

In some areas, it is illegal to operate an engine without a spark arrester. Check local laws and regulations. A spark arrester is available from authorized Honda servicing dealers.

The spark arrester must be serviced every 100 hours to keep it functioning as designed.

If the engine has been running, the muffler will be hot. Allow it to cool before servicing the spark arrester.

Spark Arrester Removal

See Figure 14, page A-4, Figure 15, page A-4 and Figure 16, page A-5.

1. Remove the screw and spring nut.
2. Remove the fuel tank cap.

3. Remove the top cover by unhooking the four tabs of the top cover.
4. Remove the muffler protector by removing the three 6 mm bolts.
5. Remove the spark arrester from the muffler by removing the screw.
(Taking care not to damage the wire mesh.)

Spark Arrester Cleaning & Inspection

See Figure 14, page A-4, Figure 15, page A-4 and Figure 16, page A-5.

Check for carbon deposits around the exhaust port and spark arrester, and clean if necessary.

1. Use a brush to remove carbon deposits from the spark arrester screen. Be careful not to damage the screen. Replace the spark arrester if it has breaks or holes.
2. Install the spark arrester, muffler, top cover and fuel tank cap in the reverse order of disassembly.

CAUTION

Do not operate the engine when the top cover is removed.

You may be injured from the rotating parts or burned by the muffler.

BATTERY CHARGE**Check the Battery Charge State**

The battery indicator indicates the battery charge state. Clutch the brake lever of the equipment powered by this engine to make sure the amount of charge.

- ○ (On): The battery is charged enough.
- ⚡ (Flash): The battery is low.
- ● (Off): The battery is almost empty.

See Figure 18, page A-5.

Charging

The external USB charger included in the package is for emergency. Charging is possible by connecting the external USB charger to USB charging port.

The external USB charger plug can be used for type C or BF by replacing plugs.

See Figure 18, page A-5.

NOTICE

Please be aware of the following points when charging.

- Avoid use in a place where dust can easily get inside the charging port.
- Make sure to stop the engine before connecting the external USB charger to USB charging port.
- Do not let the USB charging port and the external USB charger get wet with liquid.

1. Remove the rubber cap from the USB charging port, and connect the external USB charger to an outlet.
100–240 VAC electric outlet: C type or BF type
2. Connect the USB terminal of the external USB charger to the USB charging port.
3. The battery indicator starts flashing, and then charging starts.
When the battery indicator lights on, the battery will be fully charged.
4. After charging, disconnect the external USB charger from the engine and an outlet.

5. Attach the rubber cap to USB charging port.

NOTICE

- Attach the rubber cap to USB charging port securely after charging. If the rubber cap remains off, the USB charging port may rust and it may not be possible to charge.
- When starting the engine, make sure to remove the external USB charger from the engine before starting.
It is possible to use a commercially available charger (such as mobile battery for smartphone charge) other than the external USB charger included in the package. The warranty covers:
 - Type: USB micro B
 - Standard: USB BC1.2
 - CE certified product

HELPFUL TIPS & SUGGESTIONS

STORING YOUR ENGINE

Storage Preparation

Proper storage preparation is essential for keeping your engine trouble-free and looking good. The following steps will help to keep rust and corrosion from impairing your engine's function and appearance, and will make the engine easier to start when you use it again.

Cleaning

If the engine has been running, allow it to cool for at least half an hour before cleaning. Clean all exterior surfaces, touch up any damaged paint, and coat other areas that may rust with a light film of oil.

NOTICE

Using a garden hose or pressure washing equipment can force water into the air cleaner or muffler opening. Water in the air cleaner will soak the air filter, and water that passes through the air filter or muffler can enter the cylinder, causing damage.

Fuel

NOTICE

Depending on the region where you operate your equipment, fuel formulations may deteriorate and oxidize rapidly. Fuel deterioration and oxidation can occur in as little as 30 days and may cause damage to the carburetor and/or fuel system. Please check with your servicing dealer for local storage recommendations.

Gasoline will oxidize and deteriorate in storage. Deteriorated gasoline will cause hard starting, and it leaves gum deposits that clog the fuel system. If the gasoline in your engine deteriorates during storage, you may need to have the carburetor and other fuel system components serviced or replaced.

The length of time that gasoline can be left in your fuel tank and carburetor without causing functional problems will vary with such factors as gasoline blend, your storage temperatures, and whether the fuel tank is partially or completely filled. The air in a partially filled fuel tank promotes fuel deterioration. Very warm storage temperatures accelerate fuel deterioration. Fuel deterioration problems may occur within 30 days from keeping the fuel in the fuel tank, or even less if the gasoline was not fresh when you filled the fuel tank.

Fuel system damage or engine performance problems resulting from neglected storage preparation are not covered under the Warranty.

Draining the Fuel Tank and Carburetor

See Figure 17, page A-5.

⚠ WARNING

Gasoline is highly flammable and explosive.

You can be burned or seriously injured when handling fuel.

- Stop the engine and let it cool before handling fuel.
- Keep heat, sparks, and flame away.
- Handle fuel only outdoors.
- Keep away from your vehicle.
- Wipe up spills immediately.

1. Drain the fuel tank and carburetor into an approved gasoline container.
2. Turn the fuel valve lever to the ON position and loosen the carburetor drain bolt by turning 1 to 2 turns counterclockwise.
3. After all fuel has drained, tighten the carburetor drain bolt securely, turn the fuel valve lever to the OFF position.
4. If you cannot drain from the carburetor, drain the fuel tank into an approved gasoline container using a commercially available hand pump. Do not use an electric pump.
Operate the engine until it stops from the lack of fuel.

Engine Oil

1. Change the engine oil (see page 5).
2. Remove the spark plug (see page 6).
3. Pour a teaspoon 5–10 cm³ of clean engine oil into the cylinder.
4. Drive the starter several time.
5. Reinstall the spark plug.
6. Coat areas that may rust with a light film of oil. Cover the engine to keep out dust.

Storage Precautions

If your engine will be stored with gasoline in the fuel tank and carburetor, it is important to reduce the hazard of gasoline vapor ignition. Select a well ventilated storage area away from any appliance that operates with a flame, such as a furnace, water heater, or clothes dryer. Also avoid any area with a spark-producing electric motor, or where power tools are operated.

Failure to properly handle the battery while storing the engine may result in deterioration of the battery performance and service life.

It is recommended to store the engine at 5 to 40°C.

Avoid storage areas with high temperature above 40°C and with high humidity, and storage in an environment with severe temperature changes. Keep away from direct sunlight, rain, or dew. Storage areas with high humidity may promote the engine rust and corrosion. And also, storage at high temperatures may shorten battery service life.

Keep the engine level in storage. Tilting can cause fuel or oil leakage.

With the engine and exhaust system cool, cover the engine to keep out dust. A hot engine and exhaust system can ignite or melt some materials. Do not use a plastic sheet as a dust cover. A nonporous cover will trap moisture around the engine, promoting rust and corrosion.

When storing the engine, store with the brake lever of the equipment powered by this engine released.

If the engine will be stored for more than 1 month, a storage after charging until the battery indicator lights on is recommended.

Removal from Storage

Check your engine as described in the *BEFORE OPERATION CHECKS* section of this manual (see page 2).

If the fuel was drained during storage preparation, fill the tank with fresh gasoline. If you keep a container of gasoline for refueling, be sure it contains only fresh gasoline. Gasoline oxidizes and deteriorates over time, causing hard starting.

If the cylinder was coated with oil during storage preparation, the engine will smoke briefly at startup. This is normal.

TRANSPORTING

If the engine has been running, allow it to cool for at least 15 minutes before loading the engine-powered equipment on the transport vehicle. A hot engine and exhaust system can burn you and can ignite some materials.

Keep the engine level when transporting to reduce the possibility of fuel leakage. Turn the fuel valve lever to the OFF position. See Figure 1, page A-2.

TAKING CARE OF UNEXPECTED PROBLEMS

ENGINE WILL NOT START

Possible Cause	Correction
Fuel valve OFF.	Turn lever to ON position.
Choke open (applicable types).	Move lever to CLOSED position unless the engine is warm.
Control lever is not in proper position (applicable types).	Move lever to proper position.
Flywheel brake lever in ENGAGED position (applicable types).	Move lever to RELEASED position.
Out of fuel.	Refuel (p. 4).
Bad fuel; engine stored without treating or draining gasoline, or refueled with bad gasoline.	Drain fuel tank and carburetor (p. 7). Refuel with fresh gasoline (p. 4).
Spark plug faulty, fouled, or improperly gapped.	Gap or replace spark plug (p. 6).
Spark plug wet with fuel (flooded engine).	Dry and reinstall spark plug.
Fuel filter restricted, carburetor malfunction, ignition malfunction, valves stuck, etc.	Take engine to your servicing dealer, or refer to shop manual.

ENGINE LACKS POWER

Possible Cause	Correction
Filter element restricted.	Clean or replace filter element (p. 5).
Bad fuel; engine stored without treating or draining gasoline, or refueled with bad gasoline.	Drain fuel tank and carburetor (p. 7). Refuel with fresh gasoline (p. 4).
Fuel filter restricted, carburetor malfunction, ignition malfunction, valves stuck, etc.	Take engine to your servicing dealer, or refer to shop manual.

STARTER DOES NOT DRIVE

Possible Cause	Correction
Voltage shortage of the battery.	Charge the battery if the battery indicator does not light on or flash even the brake lever of the equipment powered by this engine is clutched (P.2).
A defective harness, starter, battery.	Take engine to your servicing dealer, or refer to shop manual.

CAN NOT CHARGE THE BATTERY EXTERNALLY

Possible Cause	Correction
Connection failure.	Check if the connection is correct.
A defective external charger.	Take external charger to your servicing dealer, or refer to shop manual.
A defective harness, battery, battery indicator.	Take engine to your servicing dealer, or refer to shop manual.

TECHNICAL INFORMATION

Serial Number Location

See page A-1.

Record the engine serial number in the space below. You will need this information when ordering parts and when making technical or warranty inquiries.

Engine serial number: _____

Engine type: _____

Date Purchased: ____ / ____ / ____

Carburetor Modifications for High Altitude Operation

At high altitude, the standard carburetor air-fuel mixture will be too rich. Performance will decrease, and fuel consumption will increase. A very rich mixture will also foul the spark plug and cause hard starting. Operation at an altitude that differs from that at which this engine was certified, for extended periods of time, may increase emissions.

High altitude performance can be improved by specific modifications to the carburetor. If you always operate your engine at altitudes above 610 meters (2,000 feet), have your servicing dealer perform this carburetor modification. This engine, when operated at high altitude with the carburetor modifications for high altitude use, will meet each emission standard throughout its useful life.

Even with carburetor modification, engine horsepower will decrease about 3.5% for each 300 meter (1,000 feet) increase in altitude. The effect of altitude on horsepower will be greater than this if no carburetor modification is made.

NOTICE

When the carburetor has been modified for high altitude operation, the air-fuel mixture will be too lean for low altitude use. Operation at altitudes below 610 meters (2,000 feet) with a modified carburetor may cause the engine to overheat and result in serious engine damage. For use at low altitudes, have your servicing dealer return the carburetor to original factory specifications.

Emission Control System Information

Emission Control System Warranty

Your new Honda complies with both the U.S. EPA and State of California emission regulations. American Honda provides the same emission warranty coverage for Honda Power Equipment engines sold in all 50 states. In all areas of the United States, your Honda Power Equipment engine is designed, built, and equipped to meet the U.S. EPA and California Air Resources Board emission standard for spark ignited engines.

Warranty Coverage

Honda Power Equipment engines certified to CARB and EPA regulations are covered by this warranty to be free from defects in materials and workmanship that may keep it from meeting the applicable EPA and CARB emissions requirements for a minimum of 2 years or the length of the *Honda Power Equipment Distributor's Limited Warranty*, whichever is longer, from the original date of delivery to the retail purchaser. This warranty is transferable to each subsequent purchaser for the duration of the warranty period. Warranty repairs will be made without charge for diagnosis, parts, and labor. Information about how to make a warranty claim, as well as a description of how a claim can be made and/or how service can be provided, can be obtained by contacting an authorized Honda Power Equipment dealer or by contacting American Honda at the following:

Email: powerequipmentemissions@ahm.honda.com

Telephone: (888) 888-3139

The covered components include all components whose failure would increase an engine's emissions of any regulated pollutant or evaporative emissions. A list of specific components can be found in the separately included emissions warranty statement.

Specific warranty terms, coverage, limitations and manner of seeking warranty service are also set forth in the separately included emissions warranty statement. In addition, the emissions warranty statement can also be found on the Honda Power equipment website or at the following link: <http://powerequipment.honda.com/support/warranty>

Source of Emissions

The combustion process produces carbon monoxide, oxides of nitrogen, and hydrocarbons. Control of hydrocarbons and oxides of nitrogen are very important because, under certain conditions, they react to form photochemical smog when subjected to sunlight. Carbon monoxide does not react in the same way, but it is toxic.

Honda utilizes appropriate air/fuel ratios and other emissions control systems to reduce the emissions of carbon monoxide, oxides of nitrogen, and hydrocarbons.

Additionally, Honda fuel systems utilize components and control technologies to reduce evaporative emissions.

The U.S., California Clean Air Act, and Environment Canada

EPA, California, and Canadian regulations require all manufacturers to furnish written instructions describing the operation and maintenance of emission control systems.

The following instructions and procedures must be followed in order to keep the emissions from your Honda engine within the emission standards.

Tampering and Altering

NOTICE

Tampering is a violation of federal and California law.

Tampering with or altering the emission control system may increase emissions beyond the legal limit. Among those acts that constitute tampering are:

- Removal or alteration of any part of the intake, fuel, or exhaust systems.
- Altering or defeating the governor linkage or speed-adjusting mechanism to cause the engine to operate outside its design parameters.

Problems That May Affect Emissions

If you are aware of any of the following symptoms, have your engine inspected and repaired by your servicing dealer.

- Hard starting or stalling after starting.
- Rough idle.
- Misfiring or backfiring under load.
- Afterburning (backfiring).
- Black exhaust smoke or high fuel consumption.

Replacement Parts

The emissions control systems on your new Honda engine were designed, built, and certified to conform with EPA, California, and Canadian emissions regulations. We recommend the use of Honda Genuine parts whenever you have maintenance done. These original-design replacement parts are manufactured to the same standards as the original parts, so you can be confident of their performance. Honda cannot deny coverage under the emission warranty solely for the use of non-Honda replacement parts or service performed at a location other than an authorized Honda dealership; you may use comparable EPA certified parts, and have service performed at non-Honda locations. However, the use of replacement parts that are not of the original design and quality may impair the effectiveness of your emissions control system.

A manufacturer of an aftermarket part assumes the responsibility that the part will not adversely affect emissions performance. The manufacturer or rebuilder of the part must certify that use of the part will not result in a failure of the engine to comply with emissions regulations.

Maintenance

As the power equipment engine owner, you are responsible for completing all required maintenance listed in your owner's manual. Honda recommends that you retain all receipts covering maintenance on your power equipment engine, but Honda cannot deny warranty coverage solely for the lack of receipts or for your failure to ensure that all scheduled maintenance has been completed. Follow the MAINTENANCE SCHEDULE on page 4.

Remember that this schedule is based on the assumption that your engine will be used for its designed purpose. Sustained high-load or high-temperature operation, or use in dusty conditions, will require more frequent service.

Air Index

(Models certified for sale in California)

An Air Index Information label is applied to engines certified to an emission durability time period in accordance with the requirements of the California Air Resources Board.

The bar graph is intended to provide you, our customer, the ability to compare the emissions performance of available engines. The lower the Air Index, the less pollution.

The durability description is intended to provide you with information relating to the engine's emission durability period.

The descriptive term indicates the useful life period for the engine's emission control system. See your *Emission Control System Warranty* for additional information.

Descriptive Term	Applicable to Emissions Durability Period
Moderate	50 hours (0–80 cc, inclusive) 125 hours (greater than 80 cc)
Intermediate	125 hours (0–80 cc, inclusive) 250 hours (greater than 80 cc)
Extended	300 hours (0–80 cc, inclusive) 500 hours (greater than 80 cc) 1,000 hours (225 cc and greater)

The Air Index Information hang tag/label must remain on the engine until it is sold. Remove the hang tag before operating the engine.

Specifications

GCV145

Model	GCV145H
Description code	GJAMH
Length × Width × Height	415 × 362 × 360.5 mm (16.3 × 14.3 × 14.2 in)
Dry mass [weight]	11.8 kg (26.0 lbs)
Engine type	4-stroke, OHV, single cylinder
Displacement	145 cm ³ (8.8 cu-in)
Bore × Stroke	56.0 × 59.0 mm (2.2 × 2.3 in)
Net power (in accordance with SAE J1349*)	3.1 kW (4.2 bhp, 4.2 PS) at 3,600 rpm
Max. Net torque (in accordance with SAE J1349*)	9.1 N·m (6.7 lbf·ft, 0.93 kgf·m) at 2,500 rpm
Engine oil capacity	0.40 L (14 US oz, 0.35 Imp qt)
Fuel tank capacity	0.91 L (0.24 US gal, 0.20 Imp gal)
Cooling system	Forced air
Ignition system	Transistor type magneto ignition
PTO shaft rotation	Counterclockwise

GCV170

Model	GCV170H
Description code	GJANH
Length × Width × Height	415 × 362 × 360.5 mm (16.3 × 14.3 × 14.2 in)
Dry mass [weight]	11.8 kg (26.0 lbs)
Engine type	4-stroke, OHV, single cylinder
Displacement	166 cm ³ (10.1 cu-in)
Bore × Stroke	60.0 × 59.0 mm (2.4 × 2.3 in)
Net power (in accordance with SAE J1349*)	3.6 kW (4.8 bhp, 4.9 PS) at 3,600 rpm
Max. Net torque (in accordance with SAE J1349*)	11.1 N·m (8.2 lbf·ft, 1.13 kgf·m) at 2,500 rpm
Engine oil capacity	0.40 L (14 US oz, 0.35 Imp qt)
Fuel tank capacity	0.91 L (0.24 US gal, 0.20 Imp gal)
Cooling system	Forced air
Ignition system	Transistor type magneto ignition
PTO shaft rotation	Counterclockwise

GCV200

Model	GCV200H
Description code	GJAPH
Length × Width × Height	415 × 362 × 360.5 mm (16.3 × 14.3 × 14.2 in)
Dry mass [weight]	11.8 kg (26.0 lbs)
Engine type	4-stroke, OHV, single cylinder
Displacement	201 cm ³ (12.3 cu-in)
Bore × Stroke	66.0 × 59.0 mm (2.6 × 2.3 in)
Net power (in accordance with SAE J1349*)	4.2 kW (5.6 bhp, 5.7 PS) at 3,600 rpm
Max. Net torque (in accordance with SAE J1349*)	12.7 N·m (9.4 lbf·ft, 1.30 kgf·m) at 2,500 rpm
Engine oil capacity	0.40 L (14 US oz, 0.35 Imp qt)
Fuel tank capacity	0.91 L (0.24 US gal, 0.20 Imp gal)
Cooling system	Forced air
Ignition system	Transistor type magneto ignition
PTO shaft rotation	Counterclockwise

*The power rating of the engine indicated in this document is the net power output tested on a production engine for the engine model and measured in accordance with SAE J1349 at 3,600 rpm (Net Power) and at 2,500 rpm (Max. Net Torque). Mass production engines may vary from this value.

Actual power output for the engine installed in the final machine will vary depending on numerous factors, including the operating speed of the engine in application, environmental conditions, maintenance, and other variables.

Tuneup Specifications GCV145/170/200

ITEM	SPECIFICATION	MAINTENANCE
Spark plug gap	0.7–0.8 mm (0.028–0.031 in)	Refer to page 6
Idle speed	1,700±150 rpm	-
Valve clearance (cold)	IN: 0.10±0.02 mm EX: 0.10±0.02 mm	See your authorized Honda dealer
Other specifications	No other adjustments needed.	

Quick Reference Information

Fuel	Unleaded gasoline (Refer to page 4).	
	U.S.	Pump octane rating 86 or higher
	Except U.S.	Research octane rating 91 or higher Pump octane rating 86 or higher
Engine oil	SAE 10W-30, API SE or later, for general use. Refer to page 5.	
Spark plug	BPR5ES (NGK)	
Maintenance	Before each use:	
	<ul style="list-style-type: none"> • Check engine oil level. Refer to page 5. • Check air cleaner. Refer to page 5. 	
	First 5 hours: Change engine oil. Refer to page 5.	
	Subsequent: Refer to the maintenance schedule on page 4.	

NOTE:

Specifications may vary according to the types, and are subject to change without notice.

CONSUMER INFORMATION

Warranty and Distributor/Dealer Locator Information

United States, Puerto Rico, and U.S. Virgin Islands:
Visit our website: www.honda-engines.com

Canada:
Call (888) 9HONDA9
or visit our website: www.honda.ca

For European Area:
Visit our website: <http://www.honda-engines-eu.com>

Customer Service Information

Servicing dealership personnel are trained professionals. They should be able to answer any question you may have. If you encounter a problem that your dealer does not solve to your satisfaction, please discuss it with the dealership's management. The Service Manager, General Manager, or Owner can help. Almost all problems are solved in this way.

United States, Puerto Rico, and U.S. Virgin Islands:
If you are dissatisfied with the decision made by the dealership's management, contact the Honda Regional Engine Distributor for your area.

If you are still dissatisfied after speaking with the Regional Engine Distributor, you may contact the Honda Office as shown.

All Other Areas:
If you are dissatisfied with the decision made by the dealership's management, contact the Honda Office as shown.

《Honda's Office》

When you write or call, please provide this information:

- Equipment manufacturer's name and model number that the engine is mounted on
- Engine model, serial number, and type (see page 8)
- Name of dealer who sold the engine to you
- Name, address, and contact person of the dealer who services your engine
- Date of purchase
- Your name, address and telephone number
- A detailed description of the problem

United States, Puerto Rico, and U.S. Virgin Islands:

American Honda Motor Co., Inc.

Power Equipment Division
Customer Relations Office
4900 Marconi Drive
Alpharetta, GA 30005-8847

Or telephone: (770) 497-6400, 8:30 am - 7:00 pm ET

Canada:

Honda Canada, Inc.

Please visit www.honda.ca
for address information

Telephone: (888) 9HONDA9 Toll free
(888) 946-6329

Facsimile: (877) 939-0909 Toll free

For European Area:

Honda Motor Europe Logistics NV.

European Engine Center

<http://www.honda-engines-eu.com>

All Other Areas:

Please contact the Honda distributor in your area for assistance.

Honda General Purpose Engine International Warranty

The Honda General Purpose Engine installed on this brand product is covered by a Honda General Purpose Engine Warranty, on the following assumptions.

- The warranty conditions conform to those for the general purpose engine established by Honda for each country.
- The warranty conditions apply to engine failures caused by any manufacturing or specification problem.
- The warranty does not apply to countries where there is no Honda distributor.

To obtain warranty service:

You must take your Honda general purpose engine, or the equipment in which it is installed, together with proof of original retail purchase date to a Honda engine dealer authorized to sell that product in your country or the dealer who you purchased your product from. To locate a Honda distributor/dealer near you or check warranty condition in your country, visit our global service information website

<https://www.hondappsv.com/ENG/> or contact distributor in your country.

Exclusions:

This engine warranty does not include the following:

1. Any damage or deterioration resulting from the following:
 - Neglect of the periodic maintenance as specified in the engine owner's manual
 - Improper repair or maintenance
 - Operating methods other than those indicated in the engine owner's manual
 - Damage caused by the product on which the engine is installed
 - Damage caused by conversion to, or use of, fuel other than the fuel(s) that the engine was originally manufactured to use, as set forth in the engine owner's manual and/or warranty booklet
 - The use of non-genuine Honda parts and accessories, other than those approved by Honda (other than recommended lubricants and fluids) (does not apply to the emissions warranty unless non-genuine part used is not comparable to Honda part and was cause of the failure)
 - Exposure of the product to soot and smoke, chemical agents, bird droppings, sea water, sea breeze, salt or other environmental phenomena
 - Collision, fuel contamination or deterioration, neglect, unauthorized alteration, or misuse
 - Natural wear and tear (natural fading of painted or plated surfaces, sheet peeling and other natural deterioration)
2. Consumable parts: Honda does not warrant parts deterioration due to normal wear and tear. The parts listed below are not covered by warranty (unless they are needed as a part of another warranty repair):
 - Spark plug, fuel filter, air cleaner element, clutch disc, recoil starter rope
 - Lubricant: oil and grease
3. Cleaning, adjustment, and normal periodic maintenance work (carburetor cleaning and engine oil draining).
4. Use of the Honda general purpose engine for racing or competition.
5. Any engine that is part of a product that has ever been declared a total loss or sold for salvage by a financial institution or insurer.

About SERVICE & SUPPORT Label

There may be the SERVICE & SUPPORT label* affixed to the Honda General Purpose Engine. As you visit our website by scanning this two-dimensional barcode (QR code), you will find service information.
* This label is not affixed to all models.



https://www.hondappsv.com/ENG/QR/GCV145_170_200/

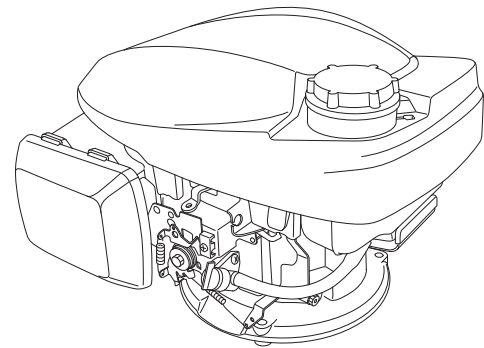
HONDA

MANUEL DE L'UTILISATEUR GCV145 · GCV170 · GCV200

FRANÇAIS

⚠ AVERTISSEMENT

Les gaz d'échappement du moteur de ce produit contient des produits chimiques connus dans l'État de Californie pour être à l'origine de cancer, d'anomalies congénitales ou autres troubles de la reproduction.

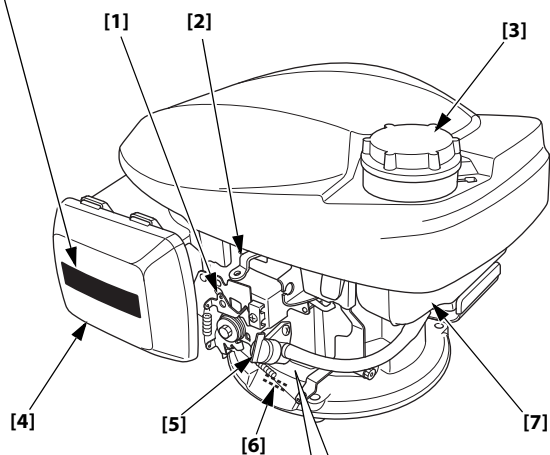


• Les illustrations peuvent varier en fonction du type.

EMPLACEMENT DE L'ÉTIQUETTE DE SECURITE / EMBLACEMENT DES COMPOSANTS ET COMMANDES



Type à starter manuel
(Type sans LEVIER DE STARTER)
(selon type)



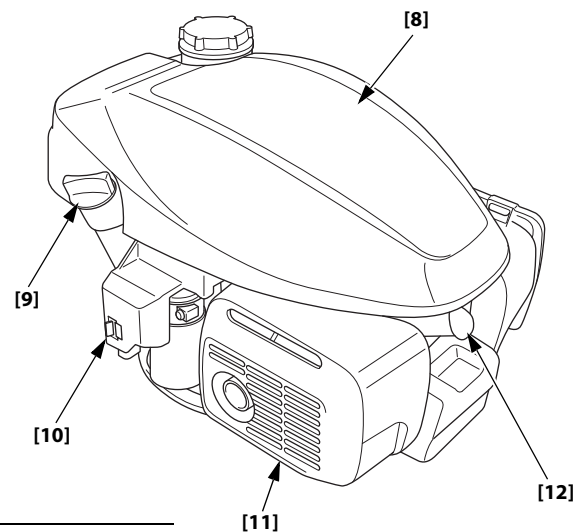
Lire le manuel de l'utilisateur avant utilisation.



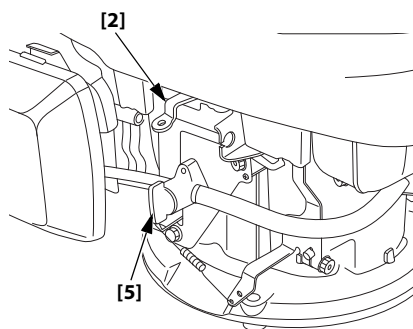
Le moteur dégage du monoxyde de carbone qui est un gaz toxique. Ne jamais le faire fonctionner dans un endroit clos.



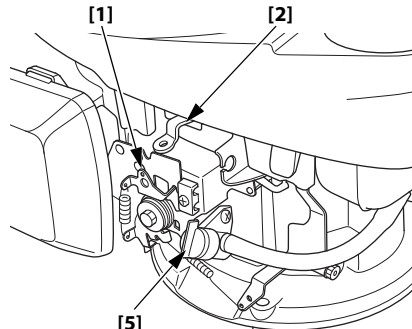
L'essence est très inflammable et explosive. Avant de faire le plein de carburant, arrêter le moteur et le laisser refroidir.



Type à starter automatique
(Type à OUVERTURE DES GAZ FIXE)
(selon type)



Type à starter automatique
(Type à OUVERTURE DES GAZ MANUELLE)
(selon type)



- [1] LEVIER DE COMMANDE (selon type)
- [2] LEVIER DE FREIN DE VOLANT MOTEUR (selon type)
- [3] BOUCHON DU RESERVOIR DE CARBURANT
- [4] FILTRE A AIR
- [5] LEVIER DE ROBINET A ESSENCE
- [6] NUMERO DE SERIE ET TYPE DE MOTEUR
- [7] RESERVOIR D'ESSENCE
- [8] CAPOT SUPERIEUR
- [9] BOUCHON DE REMPLISSAGE D'HUILE
- [10] PORT DE CHARGEMENT USB
- [11] SILENCIEUX
- [12] BOUGIE D'ALLUMAGE

INTRODUCTION

Nous vous remercions d'avoir porté votre choix sur un moteur Honda. Nous désirons vous aider à faire le meilleur usage de votre nouveau moteur et à l'utiliser en toute sécurité. Vous trouverez dans ce manuel des informations sur la manière d'y parvenir ; veuillez le lire attentivement avant d'utiliser le moteur. En cas de problème ou pour toute question concernant votre moteur, veuillez vous adresser à votre concessionnaire réparateur.

Toutes les informations de cette publication sont basées sur les dernières données disponibles sur le produit au moment de l'impression. Honda Motor Co., Ltd. se réserve le droit d'apporter des modifications à tout moment sans avertissement et sans obligation de sa part. Aucune partie de ce document ne peut être reproduite sans autorisation écrite.

Ce manuel doit être considéré comme faisant partie du moteur et l'accompagner en cas de revente.

Nous vous conseillons de lire le régime de garantie afin de bien comprendre l'étendue de la garantie et vos responsabilités de propriété.


Pour de plus amples informations sur le démarrage, l'arrêt, l'utilisation et les réglages du moteur ou pour des instructions sur tout entretien spécial, consultez les instructions accompagnant l'équipement commandé par ce moteur.

SOMMAIRE

MESSAGES DE SECURITE.....	1	CONSEILS ET SUGGESTIONS UTILES ...	7
INFORMATIONS DE SECURITE.....	1	REMISAGE DU MOTEUR	7
CONTROLES AVANT UTILISATION	2	TRANSPORT	8
FONCTIONNEMENT	2	EN CAS DE PROBLEME INATTENDU	8
CONSIGNES DE SECURITE		INFORMATIONS TECHNIQUES	8
D'UTILISATION.....	2	INFORMATIONS DU	
DEMARRAGE DU MOTEUR	2	CONSOMMATEUR	11
ARRET DU MOTEUR	3	Garantie et informations de	
ENTRETIEN DU MOTEUR	4	localisation de distributeur/	
L'IMPORTANCE DE L'ENTRETIEN	4	concessionnaire	11
SECURITE D'ENTRETIEN.....	4	Informations de service à la	
CONSIGNES DE SECURITE.....	4	clientèle	11
PROGRAMME D'ENTRETIEN	4		
PLEIN DE CARBURANT	4		
HUILE MOTEUR.....	5		
FILTRE A AIR	5		
BOUGIE.....	6		
PARE-ETINCELLES.....	6		
CHARGEMENT DE BATTERIE	6		

MESSAGES DE SECURITE

Votre sécurité et celle des autres sont très importantes. Vous trouverez des messages de sécurité importants dans ce manuel et sur le moteur. Veuillez les lire attentivement.

Les messages de sécurité vous avertissent de risques potentiels de blessures pour vous et les autres. Chaque message de sécurité est précédé d'un symbole de mise en garde  et de l'une des trois mentions DANGER, AVERTISSEMENT ou ATTENTION.

Ces mots-indicateurs signifient :

DANGER

Vous SEREZ MORTELLEMENT ou GRIEUREMENT BLESSE si vous ne suivez pas ces instructions.

AVERTISSEMENT

Vous POUVEZ être MORTELLEMENT ou GRIEUREMENT BLESSE si vous ne suivez pas ces instructions.

ATTENTION

Vous POUVEZ être BLESSE si vous ne suivez pas ces instructions.

Chaque message vous indique quel est le danger, ce qui peut arriver et ce que vous pouvez faire pour éviter ou réduire les blessures.

MESSAGES DE PREVENTION DES DOMMAGES

D'autres messages importants sont précédés du mot REMARQUE.

Cette mention signifie :

REMARQUE

Votre moteur ou d'autres biens peuvent être endommagés si vous ne suivez pas ces instructions.

L'objet de ces messages est de vous aider à ne pas causer de dommages au moteur, à d'autres biens ou à l'environnement.

INFORMATIONS DE SECURITE

- Bien comprendre le fonctionnement de toutes les commandes et savoir comment arrêter le moteur rapidement en cas d'urgence. Veiller à ce que l'opérateur reçoive des instructions adéquates avant l'utilisation de l'équipement.
- Ne pas autoriser les enfants à utiliser le moteur. Eloigner les enfants et les animaux de la zone d'utilisation.
- Les gaz d'échappement du moteur contiennent du monoxyde de carbone toxique. Ne pas faire tourner le moteur sans une aération adéquate et ne jamais l'utiliser à l'intérieur.
- Le moteur et le dispositif d'échappement chauffent fortement pendant le fonctionnement. Maintenir une distance d'au moins 1 mètre entre le moteur et les bâtiments et tout autre équipement pendant le fonctionnement. Eloigner tout matériau inflammable et ne rien poser sur le moteur lorsqu'il est en fonctionnement.

Mise au rebut



Pour protéger l'environnement, ne soyez pas négligent, ne mettez pas ce produit, cette batterie, etc. au rebut dans les ordures.

Respectez la législation ainsi que les réglementations locales ou contactez un revendeur agréé de votre équipement (par ex. tondeuse) pour la mise au rebut.

EMPLACEMENT DE L'ETIQUETTE DE SECURITE

Voir la page A-1.

Cette étiquette met en garde contre les risques potentiels de blessures graves. La lire attentivement.

Si l'étiquette se décolle ou devient illisible, s'adresser au concessionnaire d'entretien Honda pour son remplacement.

EMPLACEMENT DES COMPOSANTS ET COMMANDES

Voir la page A-1.

CONTROLES AVANT UTILISATION

LE MOTEUR EST-IL PRET A FONCTIONNER ?

Pour votre sécurité, le respect de la réglementation sur l'environnement et la longévité de l'équipement, il est important de consacrer quelques instants à vérifier l'état du moteur avant de l'utiliser. Corriger tout problème constaté ou confier cette opération au concessionnaire avant l'utilisation.

⚠ AVERTISSEMENT

Un entretien mal réalisé de ce moteur ou un problème non résolu avant tout utilisation de ce dernier peut entraîner un dysfonctionnement important.

Certains dysfonctionnements peuvent entraîner de graves blessures voire la mort.

Toujours effectuer les contrôles et corriger tout problème avant chaque utilisation.

Avant de commencer les contrôles avant utilisation, s'assurer que le moteur est horizontal et arrêté.

Toujours vérifier les points suivants avant de mettre le moteur en marche :

Vérifier l'état général du moteur

1. Vérifier s'il n'y a pas de traces de fuites d'huile ou d'essence autour ou sous le moteur.
2. Enlever tout excédent d'impuretés ou de débris, en particulier autour du silencieux et du capot supérieur.
3. Vérifier s'il n'y a pas de signes de dommages.
4. S'assurer que tous les protecteurs et couvercles sont en place et que tous les écrous, boulons et vis sont serrés.

Vérifier le moteur

1. Vérifier le niveau de carburant (voir page 4). En démarrant avec un réservoir de carburant plein, on évitera ou réduira les interruptions de service pour faire le plein.
2. Vérifier le niveau d'huile du moteur (voir page 5). L'utilisation du moteur avec un niveau d'huile insuffisant peut provoquer des dommages au moteur.
3. Vérifier l'élément de filtre à air (voir page 5). Un élément de filtre à air sale limite le passage d'air vers le carburateur, ce qui diminue les performances du moteur.
4. Vérifiez le niveau de charge de la batterie (voir page 6).
5. Vérifier l'équipement commandé par ce moteur.

Pour les précautions et procédures à observer avant le démarrage du moteur, consulter les instructions accompagnant l'équipement commandé par ce moteur.

FONCTIONNEMENT

CONSIGNES DE SECURITE D'UTILISATION

Avant d'utiliser le moteur pour la première fois, lire la section *INFORMATIONS DE SECURITE* à la page 1 et la section *CONTROLES AVANT UTILISATION* à la page 2.

Dangers du monoxyde de carbone

Par sécurité, ne pas faire fonctionner le moteur dans un endroit clos tel qu'un garage. Les gaz d'échappement du moteur contiennent du monoxyde de carbone, un gaz toxique qui peut s'accumuler rapidement dans un endroit clos et provoquer une intoxication ou la mort.

⚠ AVERTISSEMENT

Les gaz d'échappement contiennent du monoxyde de carbone, un gaz toxique qui peut s'accumuler à des niveaux dangereux dans des endroits clos.

L'inhalation de monoxyde de carbone peut provoquer une perte de conscience voire la mort.

Ne jamais faire tourner le moteur dans un endroit fermé, ou même partiellement fermé.

Pour les consignes de sécurité à observer au démarrage, lors de l'arrêt du moteur et pendant l'utilisation, consulter les instructions accompagnant l'équipement commandé par ce moteur.

Ne pas faire fonctionner le moteur sur des pentes de plus de 15° (26%).

Manipulation de la batterie

REMARQUE

Si vous ne suivez pas les instructions ci-dessous, un court-circuit, une génération de chaleur, un allumage, une injection de gaz et une fuite de liquide peuvent survenir.

- Ne démontez ni ne modifiez la batterie.
- N'appliquez pas de forts impacts comme la chute ou le placement d'objets lourds.
- Si la batterie tombe dans l'eau, arrêtez de l'utiliser.
- N'enlevez pas l'étiquette collée sur le dessus de la batterie.

⚠ ATTENTION

Si des problèmes d'odeur, de génération de chaleur, de déformation et de décoloration par exemple, surviennent pendant l'utilisation, l'entreposage, le chargement de batterie, arrêtez immédiatement d'utiliser la batterie.

Si la batterie fuit sur votre peau ou vos vêtements, rincez à l'eau pure.

Si la batterie fuit et éclabousse dans vos yeux, rincez abondamment à l'eau pure et consultez immédiatement un médecin sans vous frotter les yeux.

Faute de quoi, vous pourriez avoir des lésions oculaires.

DEMARRAGE DU MOTEUR

Ne pas utiliser le starter lorsque le moteur est chaud ou lorsque la température atmosphérique est élevée.

• Type à starter manuel (selon type)

1. Placer le levier du robinet de carburant sur la position OUVERT. Voir la Figure 1, page A-2.
2. [Type sans LEVIER DE STARTER] (selon type)
Placer le levier de commande sur la position FERME (CHOKE). Voir la Figure 2, page A-2.
3. Type avec LEVIER DE FREIN DE VOLANT (selon type):
Placer le levier de frein de volant sur la position DESENGAGE. Lorsqu'on place le levier de frein de volant sur la position DESENGAGE, l'interrupteur du moteur, qui est relié au levier de frein de volant, est placé sur marche. Voir la Figure 3, page A-2.
4. Serrez le levier de freinage de l'équipement alimenté par ce moteur. L'indicateur de batterie s'allume ou clignote pendant 5 secondes pour indiquer l'état de charge de la batterie (voir page 6) lorsque le levier de freinage de l'équipement alimenté par ce moteur est serré.

5. Tout en maintenant le levier de freinage, enfoncez le bouton de démarrage du moteur de l'équipement alimenté par ce moteur. Ensuite l'indicateur de batterie s'éteint et le moteur démarre.

REMARQUE

Ne démarrez pas le moteur lorsque l'équipement alimenté par ce moteur est limité dans son fonctionnement (par exemple, lorsqu'une lame de la tondeuse est bloquée).

Si vous tentez la procédure de démarrage du moteur dans cet état, la rotation du démarreur s'arrêtera automatiquement. Le moteur ne peut pas être démarré si le démarreur ne tourne pas.

Et ensuite, si la procédure de démarrage du moteur est tentée à plusieurs reprises, l'indicateur de batterie n'est pas indiqué et le moteur ne démarre pas en raison de la protection de batterie. Patientez un moment et essayez de démarrer le moteur à nouveau.

Si le moteur ne parvient pas à démarrer dans les 3 secondes, l'indicateur de batterie s'allume ou clignote pendant à nouveau 5 secondes pour indiquer l'état de chargement de la batterie (voir page 6).

Une fois l'état de charge de la batterie indiqué, enfoncez à nouveau le bouton de démarrage du moteur.

REMARQUE

Si l'indicateur de batterie clignote, la batterie est faible. Une durée de fonctionnement plus longue est recommandée pour assurer le niveau suffisant de charge de batterie via l'auto-chargement.

Si l'indicateur de batterie est éteint pendant les procédures de démarrage, chargez la batterie à l'aide du chargeur USB externe (voir page 6).

REMARQUE

Si le moteur démarre après un entreposage de plus d'1 mois, enfoncez le bouton de démarrage du moteur de l'équipement alimenté par ce moteur pour démarrer la batterie et assurez-vous que l'indicateur de batterie clignote.

6. [Type sans LEVIER DE STARTER]
(selon type)

Lorsque le moteur est chaud, placer le levier de commande sur la position RAPIDE ou LENT.
Voir la Figure 4, page A-2.

• **Type à starter automatique (selon type)**

- Placer le levier du robinet de carburant sur la position OUVERT.
Voir la Figure 1, page A-2.
- Type avec LEVIER DE FREIN DE VOLANT (selon type):
Placer le levier de frein de volant sur la position DESENGAGE.
Voir la Figure 3, page A-2.
- [Type à OUVERTURE DES GAZ MANUELLE] (selon type)
Déplacer le levier de commande sur la position "FAST" (rapide).
Voir la Figure 4, page A-2.
- Serrez le levier de freinage de l'équipement alimenté par ce moteur. L'indicateur de batterie s'allume ou clignote pendant 5 secondes pour indiquer l'état de charge de la batterie (voir page 6) lorsque le levier de freinage de l'équipement alimenté par ce moteur est serré.
- Tout en maintenant le levier de freinage, enfoncez le bouton de démarrage du moteur de l'équipement alimenté par ce moteur. Ensuite l'indicateur de batterie s'éteint et le moteur démarre.

REMARQUE

Ne démarrez pas le moteur lorsque l'équipement alimenté par ce moteur est limité dans son fonctionnement (par exemple, lorsqu'une lame de la tondeuse est bloquée).

Si vous tentez la procédure de démarrage du moteur dans cet état, la rotation du démarreur s'arrêtera automatiquement. Le moteur ne peut pas être démarré si le démarreur ne tourne pas.

Et ensuite, si la procédure de démarrage du moteur est tentée à plusieurs reprises, l'indicateur de batterie n'est pas indiqué et le moteur ne démarre pas en raison de la protection de batterie. Patientez un moment et essayez de démarrer le moteur à nouveau.

Si le moteur ne parvient pas à démarrer dans les 3 secondes, l'indicateur de batterie s'allume ou clignote pendant à nouveau 5 secondes pour indiquer l'état de chargement de la batterie (voir page 6).

Une fois l'état de charge de la batterie indiqué, enfoncez à nouveau le bouton de démarrage du moteur.

REMARQUE

Si l'indicateur de batterie clignote, la batterie est faible. Une durée de fonctionnement plus longue est recommandée pour assurer le niveau suffisant de charge de batterie via l'auto-chargement.

Si l'indicateur de batterie est éteint pendant les procédures de démarrage, chargez la batterie à l'aide du chargeur USB externe (voir page 6).

REMARQUE

Si le moteur démarre après un entreposage de plus d'1 mois, enfoncez le bouton de démarrage du moteur de l'équipement alimenté par ce moteur pour démarrer la batterie et assurez-vous que l'indicateur de batterie clignote.

6. [Type à OUVERTURE DES GAZ MANUELLE] (selon type)

Placer le levier de commande sur la position correspondant au régime moteur désiré.

ARRÊT DU MOTEUR

- [Type à OUVERTURE DES GAZ MANUELLE] (selon type)
Déplacer le levier de commande à la position "SLOW" (lent).
Voir la Figure 4, page A-2.
- Type avec LEVIER DE FREIN DE VOLANT (selon type) :
Ramener le levier de frein de volant moteur vers la position "ENGAGED" (enclenché). Le commutateur de moteur, qui est lié au levier de frein de volant moteur, est désenclenché lorsque le levier de frein de volant moteur est déplacé vers la position "ENGAGED" (enclenché).
Voir la Figure 3, page A-2.
Type sans LEVIER DE FREIN DE VOLANT (selon type) :
Déplacer le levier de commande vers la position STOP (arrêt). Le commutateur de moteur, qui est lié au levier de commande, est désactivé lorsque le levier de commande est déplacé vers la position STOP (arrêt).
Voir la Figure 5, page A-2.
- Placer le levier du robinet à essence sur la position ARRÊT.
Voir la Figure 1, page A-2.

ENTRETIEN DU MOTEUR

L'IMPORTANCE DE L'ENTRETIEN

Un bon entretien est essentiel pour un fonctionnement sûr, économique et sans problème. Il contribue également à réduire la pollution.

⚠ AVERTISSEMENT

Un entretien mal réalisé de ce moteur ou un problème non résolu avant toute utilisation de ce dernier peut entraîner un dysfonctionnement important.

Certains dysfonctionnements peuvent entraîner de graves blessures voire la mort.

Toujours observer les recommandations et programmes de contrôle et d'entretien figurant dans ce manuel.

Pour permettre d'entretenir correctement le moteur, les pages suivantes sont dédiées à un programme d'entretien, des procédures de contrôle de routine et des procédures d'entretien simples pouvant être effectuées avec des outils à main de base. D'autres opérations d'entretien plus difficiles ou demandant des outils spéciaux seront mieux exécutées par des professionnels et devront normalement être confiées à un technicien Honda ou à un autre mécanicien qualifié.

Le programme d'entretien s'applique à des conditions d'utilisation normales. Si l'on utilise le moteur dans des conditions difficiles telles qu'un fonctionnement prolongé sous une charge élevée ou par haute température, ou dans des conditions anormalement humides ou poussiéreuses, demander au concessionnaire d'entretien Honda des recommandations pour des besoins et un usage particuliers.

N'utiliser que des pièces Honda Genuine ou leur équivalent. Des pièces de rechange de qualité non équivalente peuvent endommager le moteur. L'entretien, le remplacement ou la réparation des équipements et systèmes antipollution peut être effectuée par un établissement de réparation de moteur ou un réparateur, à l'aide de pièces qui sont "certifiées" aux normes EPA.

SECURITE D'ENTRETIEN

Quelques-unes des consignes de sécurité les plus importantes sont indiquées ci-dessous. Il ne nous est toutefois pas possible de vous avertir de tous les dangers imaginables que vous pouvez courir en exécutant l'entretien. Vous êtes seul juge de décider si vous devez ou non effectuer un travail donné.

⚠ AVERTISSEMENT

Un entretien mal réalisé peut entraîner des problèmes de sécurité.

Ne pas respecter les instructions d'entretien et les précautions peut entraîner de graves blessures voire la mort.

Toujours observer les procédures et précautions de ce manuel.

CONSIGNES DE SECURITE

- Avant de commencer un entretien ou une réparation, s'assurer que le moteur est arrêté. Déconnecter le capuchon de bougie pour ne pas risquer un démarrage involontaire. Ceci éliminera plusieurs risques potentiels :
 - Empoisonnement par le monoxyde de carbone de l'échappement du moteur.**
Faire fonctionner à l'extérieur, loin des fenêtres ou portes ouvertes.
 - Brûlures par des pièces chaudes.**
Attendre que le moteur et le système d'échappement se soient refroidis avant de les toucher.
 - Blessures par des pièces mobiles.**
Ne faire tourner le moteur que si cela est indiqué dans les instructions.
- Lire les instructions avant de commencer et s'assurer que l'on dispose de l'outillage et des compétences nécessaires pour effectuer le travail en toute sécurité.
- Pour diminuer les risques d'incendie ou d'explosion, être prudent lorsqu'on travaille à proximité de l'essence. Pour le nettoyage des pièces, utiliser uniquement un solvant ininflammable et non de l'essence. Ne pas approcher de cigarettes, étincelles ou flammes des pièces du système d'alimentation en carburant.

Ne pas oublier que c'est le concessionnaire Honda agréé qui connaît le mieux le moteur et qu'il est parfaitement outillé pour son entretien et sa réparation. Pour la meilleure qualité et fiabilité, n'utiliser que des pièces Honda Genuine neuves ou leur équivalent pour la réparation et le remplacement.

PROGRAMME D'ENTRETIEN

FREQUENCE D'ENTRETIEN PERIODIQUE (1)		Chaque utilisation	Premier mois ou 5 h	Tous les 3 mois ou 25 h	Tous les 6 mois ou 50 h	Tous les ans ou 100 h	150 h	Tous les 2 ans ou 250 h	Se reporter à la page
DESCRIPTION A effectuer après le nombre de mois ou d'heures d'utilisation indiqué en retenant l'intervalle le plus court des deux.									
Huile moteur	Vérifier le niveau	o							5
	Renouveler		o		o (2)				5
Filtre à air	Vérifier	o							5
	Nettoyer			o (3)					5
	Remplacer							o	5
Plaquette de frein de volant (selon type)	Vérifier				o				6
Bougie	Vérifier-régler					o			6
	Remplacer							o	6
Pare-étincelles (selon type)	Nettoyer					o (5)			Manuel d'atelier
Régime de ralenti	Vérifier					o (4)			Manuel d'atelier
Réservoir de carburant et filtre à carburant	Nettoyer					o (4)			Manuel d'atelier
Jeu aux soupapes	Vérifier-régler						o (4)		Manuel d'atelier
Chambre de combustion	Nettoyer	Après toutes les 250 h (4)							Manuel d'atelier
Tuyau de carburant	Vérifier	Tous les 2 ans (Remplacer si nécessaire) (4)							Manuel d'atelier

- Pour une utilisation commerciale, consigner le nombre d'heures de service afin de déterminer la périodicité d'entretien appropriée.
- Changer l'huile moteur toutes les 25 heures si le moteur est utilisé avec une forte charge ou à température ambiante élevée.
- En cas d'utilisation dans des endroits poussiéreux, augmenter la fréquence d'entretien.
- Confier l'entretien de ces points au concessionnaire à moins que l'on ne dispose des outils appropriés et ne soit mécaniquement compétent. Se reporter au manuel d'atelier Honda pour les procédures d'entretien.
- En Europe et dans les autres pays où la directive 2006/42/CE relative aux machines est en vigueur, cette opération doit être effectuée par le concessionnaire d'entretien.

Pour les interventions sur la partie inférieure du moteur (machine), le tourner de 90° et toujours le placer avec le carburateur/filtre à air tourné vers le haut.

Voir la Figure 7, page A-3.

PLEIN DE CARBURANT

Voir la Figure 6, page A-3.

Carburant recommandé

Essence sans plomb		
États-Unis	Indice d'octane pompe d'au moins 86	
Excepté les États-Unis	Indice d'octane recherche d'au moins 91	
	Indice d'octane pompe d'au moins 86	

Spécification(s) du carburant nécessaire(s) à la bonne performance du système de contrôle des émissions : Carburant E10 indiqué dans le règlement UE.

Ce moteur est certifié pour fonctionner avec de l'essence sans plomb ayant un indice d'octane recherche d'au moins 91 (ou un indice d'octane pompe d'au moins 86).

Refaire le plein dans un endroit bien aéré avec le moteur arrêté. Si le moteur vient de tourner, le laisser d'abord refroidir. Ne jamais faire le plein à l'intérieur d'un bâtiment où des vapeurs d'essence pourraient atteindre des flammes ou des étincelles.

On peut utiliser une essence sans plomb ne contenant pas plus de 10% d'éthanol (E10) ou de 5% de méthanol en volume. Le méthanol doit contenir des cosolvants et des inhibiteurs de corrosion. L'utilisation de carburants ayant une teneur en éthanol ou méthanol supérieure à celle indiquée ci-dessus peut occasionner des problèmes de démarrage et/ou

de performances. Elle peut également endommager les pièces métalliques, en caoutchouc et en plastique du système d'alimentation en carburant. Les dommages au moteur ou problèmes de performance résultant de l'utilisation d'un carburant avec des pourcentages d'éthanol ou méthanol supérieurs à ceux qui sont indiqués ci-dessus ne sont pas couverts par la garantie.

⚠ AVERTISSEMENT

Le carburant est hautement inflammable et explosif.

Vous risquez des brûlures ou de graves blessures en manipulant du carburant.

- Arrêter le moteur et le laisser refroidir avant de manipuler du carburant.
- Éloigner la chaleur, des étincelles et des flammes.
- Manipuler le carburant uniquement à l'extérieur.
- Garder éloigné de votre véhicule.
- Essuyer immédiatement les éclaboussures.

REMARQUE

Le carburant peut abîmer la peinture et certains types de plastique. Veiller à ne pas répandre de carburant lors du remplissage du réservoir. Les dégâts causés par le déversement accidentel de carburant ne sont pas couverts par la garantie.

Ne jamais utiliser de l'essence viciée ou contaminée ou un mélange d'huile/essence. Empêcher la pénétration de saleté ou eau dans le réservoir de carburant.

Pour le ravitaillement en carburant, consulter les instructions accompagnant l'équipement commandé par ce moteur.

1. Avec le moteur arrêté et sur une surface plane, retirer le bouchon du réservoir de carburant et vérifier le niveau de carburant. Si le niveau de carburant est bas, remplir le réservoir.
2. Faire l'appoint de carburant jusqu'au niveau maximum du réservoir de carburant. Essuyer tout carburant renversé avant de mettre le moteur en marche.
3. Faire le plein avec précaution pour éviter de renverser du carburant. Ne pas trop remplir le réservoir de carburant (il ne doit pas y avoir de carburant dans le goulot de remplissage de carburant). Dans certaines conditions d'utilisation, il peut être nécessaire de baisser le niveau du carburant. Après avoir fait le plein, resserrer le bouchon du réservoir de carburant à fond.

Garder l'essence loin des veilleuses des appareils, barbecues, appareils électriques, outils électriques, etc.

Le carburant renversé ne fait pas seulement courir des risques d'incendie ; il est également nuisible pour l'environnement. Essuyer immédiatement tout carburant renversé.

HUILE MOTEUR

L'huile est un facteur déterminant pour la performance et la durée de service.

Utiliser une huile automobile 4 temps détergente.

Huile recommandée

Voir la Figure 9, page A-3.

Utiliser une huile moteur 4 temps répondant ou dépassant les prescriptions pour la classe de service API SE ou ultérieure (ou équivalente). Toujours vérifier l'étiquette de service API sur le bidon d'huile pour s'assurer qu'elle porte bien la mention SE ou ultérieure (ou équivalente).

Spécifications d'huile lubrifiante nécessaires à la bonne performance du système de contrôle des émissions : Huile d'origine Honda.

Une huile SAE 10W-30 est recommandée pour l'utilisation générale. Les autres viscosités indiquées dans le tableau peuvent être utilisées lorsque la température moyenne du lieu d'utilisation se trouve dans la plage indiquée.

Vérification du niveau d'huile

Voir la Figure 8, page A-3.

1. Retirer la jauge/bouchon de remplissage d'huile et l'essuyer.
2. Introduire la jauge dans le col de remplissage mais ne pas la visser.
3. Si le niveau est bas, faire l'appoint d'huile recommandée jusqu'à la limite supérieure située sur la jauge de niveau.

4. Remettre la jauge/bouchon de remplissage d'huile en place.

REMARQUE

Faire fonctionner le moteur avec un niveau d'huile faible risque d'abîmer le moteur. Ce type de dégâts n'est pas couvert par la garantie.

Renouvellement d'huile

Voir la Figure 8, page A-3 et la Figure 10, page A-3.

Vidanger l'huile usée alors que le moteur est chaud. La vidange s'effectue plus rapidement et plus complètement lorsque l'huile est chaude.

1. Placer le levier de robinet de carburant sur la position ARRET. Voir la Figure 1, page A-2.
2. Déposer le bouchon du dispositif de remplissage d'huile, et vidanger l'huile dans le récipient d'huile en inclinant le moteur vers le goulot de dispositif de remplissage d'huile.
3. Refaire le plein avec de l'huile recommandée et vérifier le niveau d'huile.

REMARQUE

L'utilisation du moteur avec un niveau d'huile trop bas peut l'endommager. Ce type de dégât n'est pas couvert par la garantie.

Capacité d'huile de moteur : 0,40 L

4. Remettre la jauge/bouchon de remplissage d'huile correctement en place.

Se laver les mains à l'eau savonneuse après manipulation de l'huile usagée.

REMARQUE

Se débarrasser de l'huile moteur usée d'une manière compatible avec l'environnement. Nous conseillons de la porter dans un récipient fermé à une station service locale pour son recyclage. Ne pas la jeter aux ordures ni la déverser dans la terre ou dans un égout.

FILTRE A AIR

Un filtre à air sale restreint le passage d'air vers le carburateur et réduit ainsi les performances du moteur. Si l'on utilise le moteur dans des endroits très poussiéreux, nettoyer le filtre à air plus souvent qu'il n'est indiqué dans le PROGRAMME D'ENTRETIEN (voir page 4).

REMARQUE

Faire fonctionner le moteur sans filtre à air ou avec un filtre à air abîmé risque d'encrasser le moteur et de provoquer l'usure rapide du moteur. Ce type de dégâts n'est pas couvert par la garantie.

Contrôle

Retirer le couvercle du filtre à air et contrôler l'élément filtrant. Nettoyer ou remplacer un élément filtrant sale. Toujours remplacer un élément filtrant endommagé.

Nettoyage

Voir la Figure 12, page A-4.

1. Déposer le couvercle de filtre à air en décrochant les deux languettes supérieures au-dessus du couvercle et les deux languettes inférieures.
2. Déposer l'élément. Vérifier avec soin si l'élément n'est pas perforé ou déchiré et le remplacer s'il est endommagé.
3. Tapez légèrement l'élément à plusieurs reprises sur une surface dure pour enlever l'excédent d'impuretés, ou souffler de l'air comprimé 29 psi (200 kPa) dans le filtre depuis l'intérieur. Ne jamais tenter de brosser les impuretés ; le brossage poussera les impuretés dans les fibres. Remplacer l'élément s'il est trop sale.
4. Essuyer la saleté à l'intérieur du boîtier et du couvercle de filtre à air à l'aide d'un chiffon humide. Veiller à ce que la saleté ne pénètre pas dans le conduit d'air menant au carburateur.
5. Poser l'élément et le couvercle de filtre à air.

Inspection du FREIN AU VOLANT (types applicables)

Vérifiez le jeu de levier du frein au volant. S'il est inférieur à 2 mm, apportez le moteur chez un revendeur Honda agréé.
Voir la Figure 11, page A-3.

BOUGIE

Voir la Figure 13, page A-4.

Bougie recommandée : BPR5ES (NGK)

La bougie recommandée possède l'indice thermique correct pour des températures normales de fonctionnement du moteur.

REMARQUE

Une bougie inadéquate peut provoquer des dommages au moteur.

Si le moteur vient de tourner, le laisser refroidir avant toute intervention sur la bougie.

Pour que les performances soient bonnes, la bougie doit avoir un écartement des électrodes correct et ne pas être encrassée.

1. Déconnecter le capuchon de bougie et nettoyer toute saleté autour de la bougie.
2. Déposer la bougie avec la clé à bougie.
3. Inspecter visuellement la bougie d'allumage et la jeter si les électrodes sont usées ou si l'isolant est fendu ou écaillé. En cas de réutilisation nettoyer la bougie avec une brosse métallique.
4. Mesurer l'écartement des électrodes avec un calibre d'épaisseur. Si nécessaire, le corriger en pliant l'électrode latérale.

L'écartement des électrodes doit être de:

0,7–0,8 mm

5. Vérifier que la rondelle de la bougie d'allumage est en bon état et visser la bougie à la main pour éviter de fausser les filets.
6. Lorsque la bougie a touché son siège, continuer à la serrer avec la clé à bougie pour comprimer la rondelle.

Si la bougie est neuve, la serrer de 1/2 tour après qu'elle a touché son siège pour comprimer la rondelle.

Lors de la réinstallation d'une bougie utilisée, serrer d'1/8 à 1/4 de tour une fois la bougie installée pour comprimer la rondelle.

COUPLE DE SERRAGE : 20 N·m (2,0 kgf·m, 15 lbf·ft)

REMARQUE

Une bougie insuffisamment serrée peut surchauffer et endommager le moteur. Un serrage excessif de la bougie peut endommager le filetage dans la culasse.

7. Fixer le capuchon de bougie sur la bougie.

PARE-ÉTINCELLES (selon type)

Dans certaines régions, il n'est pas autorisé d'utiliser un moteur sans pare-étincelles. Se renseigner sur la réglementation locale.
Le pare-étincelles est en vente chez les concessionnaires Honda agréés.

Le pare-étincelles doit être entretenu toutes les 100 heures pour pouvoir continuer à fonctionner de la manière prévue.

Si le moteur vient de tourner, le silencieux sera chaud. Le laisser refroidir avant de contrôler le pare-étincelles.

Dépose du pare-étincelles

Voir la Figure 14, page A-4, la Figure 15, page A-4 et la Figure 16, page A-5.

1. Déposez la vis et l'écrou de ressort.
2. Déposez le bouchon du réservoir de carburant.

3. Déposez le couvercle supérieur en décrochant les quatre languettes du couvercle supérieur.
4. Déposer le protecteur de silencieux en retirant les trois boulons de 6 mm.
5. Déposer le pare-étincelles du silencieux en retirant la vis. (En veillant à ne pas endommager le tamis métallique.)

Nettoyage et contrôle du pare-étincelles

Voir la Figure 14, page A-4, la Figure 15, page A-4 et la Figure 16, page A-5.

Vérifier s'il n'y a pas de calamine autour de l'orifice d'échappement et du pare-étincelles et décalaminer si nécessaire.

1. Utiliser une brosse pour retirer la calamine de l'écran du pare-étincelles. Veiller à ne pas endommager l'écran. Remplacer le pare-étincelles s'il est cassé ou percé.
2. Installez le pare-étincelles, le silencieux, le couvercle supérieur et le bouchon de réservoir de carburant dans le sens inverse du démontage.

⚠ ATTENTION

Ne faites pas fonctionner le moteur lorsque le couvercle supérieur est déposé.

Vous pourriez vous blesser en raison des pièces rotatives ou brûlés par le silencieux.

CHARGEMENT DE BATTERIE

Vérification de l'état de charge de batterie

L'indicateur de batterie informe de l'état de charge de la batterie. Serrez le levier de freinage de l'équipement alimenté par ce moteur pour vous assurer du niveau de charge.

- ○ (Allumé) : La batterie est suffisamment chargée.
- ☼ (Clignotement) : La batterie est faible.
- ● (Éteint) : La batterie est presque vide.

Voir la Figure 18, page A-5.

Chargement

Le chargeur USB externe inclus dans le pack doit servir en cas d'urgence. Le chargement est possible en connectant le chargeur USB externe au port de chargement USB.

La fiche du chargeur USB externe peut être utilisée pour le type C ou BF en remplaçant les fiches.

Voir la Figure 18, page A-5.

REMARQUE

Veillez tenir compte des points suivants lors du chargement.

- Évitez l'utilisation dans un endroit où la poussière peut facilement pénétrer dans le port de chargement.
- Veillez à arrêter le moteur avant de connecter le chargeur USB externe au port de chargement USB.
- Ne laissez pas le port de chargement USB et le chargeur USB externe être mouillés.

1. Déposez le bouchon en caoutchouc du port de chargement USB, et connectez le chargeur USB externe sur une prise.
Prise électrique 100 à 240 Vca : type C ou type BF
2. Raccordez la borne USB du chargeur USB externe au port de chargement USB.
3. L'indicateur de batterie commence à clignoter, puis le chargement commence.
La batterie est complètement chargée une fois que l'indicateur de batterie s'allume.
4. Après le chargement, débranchez le chargeur USB externe depuis le moteur et une prise.

5. Fixez le capuchon en caoutchouc au port de chargement USB.

REMARQUE

- Fixez solidement le capuchon en caoutchouc au port de chargement USB après le chargement. Si le capuchon en caoutchouc est toujours enlevé, le port de chargement USB risque de rouiller et le chargement sera impossible.
- Lors du démarrage du moteur, assurez-vous d'enlever le chargeur USB externe du moteur avant le démarrage.
Il est possible d'utiliser un chargeur disponible dans le commerce (comme une batterie mobile pour recharger un smartphone) autre que le chargeur USB externe inclus dans le pack. La garantie couvre :
 - Type : USB micro B
 - Standard : USB BC1.2
 - produit certifié CE

CONSEILS ET SUGGESTIONS UTILES**REMISAGE DU MOTEUR****Préparation au remisage**

Une préparation au remisage appropriée est essentielle pour maintenir le moteur en bon état de fonctionnement et lui conserver son bel aspect. Les opérations suivantes contribueront à empêcher que la rouille et la corrosion n'affectent le fonctionnement et l'aspect du moteur et à faciliter le démarrage du moteur lors de sa remise en service.

Nettoyage

Si le moteur vient de tourner, le laisser refroidir pendant au moins une demi-heure avant le nettoyage. Nettoyer toutes les surfaces extérieures, faire les retouches de peinture nécessaires et enduire toutes les parties susceptibles de rouiller d'une légère couche d'huile.

REMARQUE

L'utilisation d'un tuyau d'arrosage ou d'un dispositif de lavage sous pression peut faire pénétrer de l'eau dans le filtre à air ou dans l'ouverture du silencieux. L'eau dans le filtre à air imbibe alors l'élément filtrant, et l'eau qui traverse l'élément filtrant ou le silencieux peut pénétrer dans le cylindre et causer des dommages.

Carburant**REMARQUE**

Selon le lieu d'utilisation de l'équipement, le carburant peut se dégrader et s'oxyder rapidement. La dégradation et l'oxydation du carburant peuvent se produire en seulement 30 jours et provoquer des dommages au carburateur et/ou système d'alimentation en carburant. Pour les recommandations sur le stockage local, se renseigner auprès du concessionnaire.

L'essence s'oxyde et se dégrade lors du remisage. Une essence dégradée rend le démarrage difficile et laisse des dépôts de gomme susceptibles de boucher le système d'alimentation en carburant. Si l'essence dans le moteur se dégrade pendant le remisage, une intervention sur le carburateur et d'autres pièces du système d'alimentation en carburant ou leur remplacement peut être nécessaire.

Le temps que l'essence peut rester dans votre réservoir de carburant et dans le carburateur sans causer de problèmes de fonctionnement peut varier en fonction de facteurs tels que les mélanges d'essence, les températures de stockage, et si le réservoir de carburant est partiellement ou complètement rempli. De l'air dans un réservoir de carburant partiellement rempli conduit à la détérioration du carburant. Des températures de stockage très élevées accélèrent la détérioration du carburant. Les problèmes de détérioration du carburant peuvent se produire dans une période 30 jours à partir du moment où le carburant se trouve dans le réservoir, ou moins si l'essence n'était pas fraîche lorsque le réservoir a été rempli.

Les problèmes de performances du moteur ou de dégâts du système de carburant produits par un manque de préparation lors du stockage ne sont pas couverts par la garantie.

Vidange du réservoir de carburant et du carburateur

Voir la Figure 17, page A-5.

AVERTISSEMENT

Le carburant est hautement inflammable et explosif.

Vous risquez des brûlures ou de graves blessures en manipulant du carburant.

- Arrêter le moteur et le laisser refroidir avant de manipuler du carburant.
- Éloigner la chaleur, des étincelles et des flammes.
- Manipuler le carburant uniquement à l'extérieur.
- Garder éloigné de votre véhicule.
- Essuyer immédiatement les éclaboussures.

1. Vidanger le réservoir de carburant et le carburateur dans un récipient à essence approprié.
2. Tourner le levier du robinet à essence en position MARCHE et desserrer le boulon de vidange du carburateur en lui donnant 1 à 2 tours dans le sens inverse des aiguilles d'une montre.
3. Lorsque tout le carburant s'est écoulé, serrer fermement le boulon de vidange du carburateur et tourner le robinet à essence en position ARRÊT.
4. Si l'on ne peut pas vidanger le carburateur, vider le réservoir de carburant dans un récipient à essence approprié à l'aide d'une pompe à main en vente dans le commerce. Ne pas utiliser de pompe électrique.
Faire fonctionner le moteur jusqu'à ce qu'il s'arrête par manque de carburant.

Huile moteur

1. Renouveler l'huile moteur (voir page 5).
2. Déposer la bougie (voir page 6).
3. Verser une cuillère à café (5-10 cm³) d'huile moteur propre dans le cylindre.
4. Actionnez le démarreur à plusieurs reprises.
5. Reposer la bougie.
6. Passer une légère pellicule d'huile sur les parties susceptibles de rouiller. Couvrir le moteur pour le protéger contre la poussière.

Précautions de remisage

Si l'on remise le moteur avec de l'essence dans le réservoir de carburant et le carburateur, il est important de réduire les risques d'inflammation des vapeurs d'essence. Choisir un endroit de remisage bien aéré loin de tout appareil à flamme tel que fourneau, chauffe-eau ou séchoir à linge. Éviter également un endroit où un moteur électrique produisant des étincelles ou des outils électriques sont utilisés.

Ne pas manipuler correctement la batterie lors de l'entreposage du moteur peut entraîner une détérioration de la performance et de la durée de vie de la batterie.

Il est recommandé d'entreposer le moteur à une température comprise entre 5 et 40 °C.

Évitez l'entreposage dans des zones où la température s'élève à plus de 40 °C et présentant un taux d'humidité élevé, ainsi que l'entreposage dans un environnement où de brusques changements de températures s'opèrent. Éloignez des rayons directs du soleil, de la pluie ou de la rosée. Les endroits d'entreposage présentant un degré d'humidité élevé favorisent la rouille et la corrosion du moteur. De même, l'entreposage dans un endroit où la température est élevée risque de réduire la durée de vie de la batterie.

Garder le moteur à l'horizontal lors du remisage. Une inclinaison peut provoquer des fuites de carburant ou d'huile.

Alors que le moteur et le système d'échappement sont froids, couvrir le moteur pour le protéger contre la poussière. Un moteur ou un système d'échappement chaud peut enflammer ou faire fondre certaines matières. Ne pas utiliser une bâche en plastique pour la protection contre la poussière.

Une bâche non poreuse emprisonne l'humidité autour du moteur et favorise la rouille et la corrosion.

Lors de l'entreposage du moteur, le levier de freinage de l'équipement alimenté par ce moteur doit être desserré.

Si le moteur est entreposé pendant plus d'1 mois, un entreposage après le chargement jusqu'à ce que l'indicateur de batterie s'allume est recommandé.

Fin du remisage

Vérifier le moteur comme il est indiqué à la section *CONTROLES AVANT UTILISATION* de ce manuel (voir page 2).

Si le carburant a été vidangé lors de la préparation au remisage, remplir le réservoir avec de l'essence fraîche. Si l'on garde un bidon d'essence pour le ravitaillement, veiller à ce qu'il ne contienne que d'essence fraîche. L'essence s'oxyde et se dégrade avec le temps, ce qui rend le démarrage difficile.

Si le cylindre a été enduit d'huile lors de la préparation au remisage, le moteur fume brièvement au démarrage. Ceci est normal.

TRANSPORT

Si le moteur vient de tourner, le laisser refroidir pendant au moins 15 minutes avant de charger l'équipement commandé par ce dernier sur le véhicule de transport. Un moteur ou un système d'échappement chaud peut provoquer des brûlures et enflammer certaines matières.

Maintenir le niveau du moteur lors du transport pour réduire la possibilité de fuites de carburant. Mettre le levier du robinet à carburant en position OFF.

Voir la Figure 1, page A-2.

EN CAS DE PROBLEME INATTENDU**LE MOTEUR NE DEMARRE PAS**

Cause possible	Remède
Robinet de carburant sur OFF.	Placer le levier sur la position OUVERT.
Starter ouvert (selon type).	Placer le levier sur la position FERME si le moteur n'est pas chaud.
Levier de commande ne se trouvant pas sur la position correcte (selon type).	Placer le levier sur la position correcte.
Levier de frein de volant sur la position ENCLENCHE (selon type).	Placer le levier sur la position DESENCLENCHE.
Carburant épuisé.	Faire le plein de carburant (p. 4).
Carburant impropre ; moteur remisé sans traitement ou vidange préalable de l'essence ou plein effectué avec une essence impropre.	Vidanger le réservoir de carburant et le carburateur (p. 7). Faire le plein avec de l'essence fraîche (p. 4).
Bougie défectueuse, encrassée ou ayant un écartement des électrodes incorrect.	Régler l'écartement des électrodes ou remplacer la bougie (p. 6).
Bougie mouillée de carburant (moteur noyé).	Sécher et reposer la bougie.
Filtre à carburant obstrué, anomalie du carburateur, anomalie d'allumage, soupapes grippées, etc.	Apporter le moteur au concessionnaire réparateur ou se reporter au manuel d'atelier.

LE MOTEUR MANQUE DE PUISSANCE

Cause possible	Remède
Élément filtrant obstrué.	Nettoyer ou remplacer l'élément filtrant (p. 5).
Carburant impropre ; moteur remisé sans traitement ou vidange préalable de l'essence ou plein effectué avec une essence impropre.	Vidanger le réservoir de carburant et le carburateur (p. 7). Faire le plein avec de l'essence fraîche (p. 4).
Filtre à carburant obstrué, anomalie du carburateur, anomalie d'allumage, soupapes grippées, etc.	Apporter le moteur au concessionnaire réparateur ou se reporter au manuel d'atelier.

LE DÉMARREUR NE DOIT PAS ÊTRE ACTIONNÉ

Cause possible	Remède
Coupure de tension de la batterie.	Chargez la batterie si l'indicateur de batterie ne s'allume pas ou clignote même si le levier de freinage de l'équipement alimenté par ce moteur est serré (p. 2).
Un faisceau, démarreur, une batterie défectueux.	Apporter le moteur au concessionnaire réparateur ou se reporter au manuel d'atelier.

IMPOSSIBLE DE CHARGER LA BATTERIE DE MANIÈRE EXTERNE

Cause possible	Remède
Dysfonctionnement de connexion.	Vérifiez si la connexion est correcte.
Un chargeur externe défectueux.	Prenez un chargeur externe chez votre réparateur agréé, ou reportez-vous au manuel d'atelier.
Un faisceau, une batterie, un indicateur de batterie défectueux.	Apporter le moteur au concessionnaire réparateur ou se reporter au manuel d'atelier.

INFORMATIONS TECHNIQUES**Emplacement des numéros de série**

Voir page A-1.

Noter le numéro de série du moteur dans l'espace ci-dessous. Cette information est nécessaire pour la commande de pièces et les demandes de renseignements techniques ou de garantie.

Numéro de série du moteur: _____ — _____

Type de moteur: _____

Date d'achat: ____ / ____ / ____

Modifications du carburateur pour une utilisation à haute altitude

En haute altitude, le mélange air-carburant standard du carburateur s'enrichit excessivement. Les performances du moteur diminuent et la consommation de carburant augmente. Un mélange très riche encrasse également la bougie et rend le démarrage difficile. Une utilisation prolongée à des altitudes différentes de celles pour lesquelles ce moteur a été certifié peut entraîner une augmentation des émissions polluantes.

On peut améliorer les performances en haute altitude en effectuant certaines modifications sur le carburateur. Si l'on utilise toujours le moteur à des altitudes supérieures à 610 mètres, demander au concessionnaire d'effectuer ces modifications du carburateur. Lors d'une utilisation en haute altitude, le moteur satisfera aux normes antipollution pendant toute sa durée de service si les modifications du carburateur pour une utilisation en haute altitude ont été effectuées.

Même avec un carburateur modifié, la puissance du moteur diminuera d'environ 3,5 % pour chaque augmentation d'altitude de 300 mètres. Si le carburateur n'est pas modifié, l'effet de l'altitude sur la puissance sera encore plus important.

REMARQUE

Lorsque le carburateur a été modifié pour une utilisation à haute altitude, le mélange air-carburant est trop pauvre pour une utilisation à basse altitude. L'utilisation à des altitudes inférieures à 610 mètres avec un carburateur modifié peut provoquer une surchauffe du moteur et entraîner d'importants dommages au moteur. Pour une utilisation à basse altitude, faire remettre le carburateur aux spécifications d'usine d'origine par le concessionnaire.

Informations sur le système antipollution

Garantie du système antipollution

Votre nouveau Honda est conforme aux réglementations de l'EPA des Etats-Unis et à celles sur les émissions de l'Etat de Californie.

American Honda offre la même couverture de garantie antipollution pour les moteurs de Honda Power Equipment vendus dans l'ensemble des 50 États. Dans toutes les régions des Etats-Unis, votre moteur Honda Power Equipment est conçu, construit et équipé conformément aux normes EPA des Etats-Unis et des normes du California Air Resources Board sur les émissions pour les moteurs à allumage par étincelle.

Couverture de la garantie

Les moteurs Honda Power Equipment certifiés CARB et EPA sont couverts par cette garantie comme étant libres de tout défaut de matériau et de fabrication susceptible d'entraver leur conformité aux exigences des normes EPA et CARB applicables sur les émissions pendant un minimum de 2 ans ou la durée de la *garantie limitée du distributeur de Honda Power Equipment*, la plus longue étant celle qui prévaut, à partir de la date d'origine de livraison à l'acheteur de détail. Cette garantie est transférable à chaque tiers acquéreur pendant la durée de la période de garantie. Les réparations de garantie seront effectuées gratuitement pour le diagnostic, les pièces et la main d'œuvre. Pour plus d'informations sur la manière d'effectuer une réclamation de garantie ainsi qu'une description de la manière dont une réclamation peut être effectuée et/ou comment un service peut être fourni, contacter un concessionnaire agréé Honda Power Equipment ou contacter American Honda aux coordonnées suivantes :

Courriel : powerequipmentemissions@ahm.honda.com
Téléphone : (888) 888-3139

Les composants couverts incluent tous les composants du moteur dont la panne augmenterait ses émissions de vapeurs de carburant ou de tout polluant réglementé. Une liste des composants spécifiques est incluse dans la déclaration de garantie antipollution fournie séparément. Les termes spécifiques de la garantie, sa couverture, ses limitations et la manière de demander un service de garantie sont également décrits dans la déclaration de garantie antipollution fournie séparément. La déclaration de garantie antipollution est également mise à disposition sur le site Web de Honda Power Equipment ou sous le lien suivant :

<http://powerequipment.honda.com/support/warranty>

Source des émissions polluantes

La combustion du carburant s'accompagne d'un rejet de monoxyde de carbone, d'oxydes d'azote et d'hydrocarbures. Il est très important de contrôler les hydrocarbures et les oxydes d'azote car, dans certaines conditions, ces substances réagissent à la lumière du soleil pour former un brouillard photochimique. Le monoxyde de carbone ne réagit pas de la même manière, mais il est toxique.

Honda utilise des rapports air/carburant appropriés et d'autres systèmes antipollution pour réduire les émissions de monoxyde de carbone, d'oxydes d'azote et d'hydrocarbures.

En outre, les systèmes d'alimentation en carburant de Honda font appel à des composants et à des technologies de contrôle permettant de réduire les émissions par évaporation.

Etats-Unis, California Clean Air Act et Environnement Canada

La réglementation de l'EPA (agence de protection de l'environnement), de Californie et du Canada exige de tous les fabricants qu'ils fournissent des instructions écrites décrivant le fonctionnement et l'entretien des systèmes antipollution.

Les instructions et procédures suivantes doivent être respectées afin de maintenir les émissions polluantes du moteur Honda dans les limites autorisées par les normes.

Modification non autorisée et altération

REMARQUE

La falsification est une violation de la législation fédérale et de Californie.

La modification non autorisée ou l'altération du système antipollution peut entraîner une augmentation des émissions polluantes au-delà de la limite légale. Les actions suivantes constituent notamment des modifications non autorisées :

- Retrait ou altération d'une pièce quelconque des systèmes d'admission, d'alimentation en carburant ou d'échappement.
- Altération ou neutralisation de la tringlerie du régulateur de régime ou du mécanisme de réglage de régime ayant pour effet de faire fonctionner le moteur en dehors de ses paramètres de conception.

Problèmes pouvant avoir une incidence sur les émissions polluantes

Si l'on constate l'un des symptômes suivants, faire contrôler et réparer le moteur par le concessionnaire.

- Démarrage difficile ou calage après le démarrage.
- Ralenti irrégulier.
- Ratés d'allumage ou retours de flammes en charge.
- Postcombustion (retours de flamme).
- Fumée d'échappement noire ou consommation de carburant excessive.

Pièces de rechange

Les systèmes antipollution de ce nouveau moteur Honda ont été conçus, fabriqués et homologués conformément à la réglementation sur la pollution de l'EPA (agence de protection de l'environnement), de Californie et du Canada. Nous recommandons d'utiliser des pièces Honda authentiques lors de tout entretien. Ces pièces de rechange ont la conception d'origine et sont fabriquées en appliquant les mêmes normes que les pièces initiales, ce qui garantit la fiabilité de leurs performances. Honda ne peut refuser la couverture par la garantie des dispositifs antipollution au seul motif que des pièces de rechange d'une autre marque que Honda ont été utilisées ou que l'entretien n'a pas été effectué par un concessionnaire Honda agréé ; vous pouvez utiliser des pièces comparables certifiées par l'EPA et faire effectuer l'entretien ailleurs que chez des concessionnaires Honda. Cependant, l'utilisation de pièces de rechange n'ayant pas la conception et la qualité d'origine peut nuire à l'efficacité du système antipollution.

Le fabricant d'une pièce du marché des pièces de rechange engage sa responsabilité quant au fait que cette pièce n'aura pas d'effet néfaste sur les performances antipollution. Le fabricant ou le reconstructeur de la pièce doit certifier que l'utilisation de cette pièce n'empêchera pas le moteur de se conformer à la réglementation sur la pollution.

Entretien

En tant que propriétaire du moteur, vous êtes responsable de la réalisation des tâches de maintenance décrites dans votre manuel de l'utilisateur. Honda vous recommande de conserver tous les reçus de paiement des tâches de maintenance réalisées sur votre moteur, mais Honda ne peut pas refuser la couverture de garantie uniquement pour manque de reçus ou pour votre manquement à la réalisation de toutes les tâches de maintenance prévues. Observer le PROGRAMME D'ENTRETIEN de la page 4.

Ne pas oublier que ce programme présuppose que le moteur sera utilisé pour l'application pour laquelle il est prévu. Une utilisation prolongée sous une charge élevée ou par haute température, ou dans des conditions poussiéreuses demande un entretien plus fréquent.

Indice atmosphérique

(Modèles homologués pour la vente en Californie)

Une étiquette d'informations sur l'indice atmosphérique est apposée sur les moteurs certifiés pour une période d'endurance des pièces antipollution conformément aux exigences du California Air Resources Board.

Le barre-graphe permet au client de comparer les performances antipollution des moteurs disponibles. Plus l'indice atmosphérique est faible, moindre est la pollution.

La désignation d'endurance fournit des informations relatives à la période d'endurance des pièces antipollution du moteur. La durée de désignation est la durée de service utile du système antipollution du moteur. Pour plus d'informations, consulter la *Garantie du système antipollution*.

Durée de désignation	Applicable à la période d'endurance des pièces antipollution
Modérée	50 heures (0 à 80 cm ³ inclus) 125 heures (plus de 80 cm ³)
Intermédiaire	125 heures (0 à 80 cm ³ inclus) 250 heures (plus de 80 cm ³)
Prolongée	300 heures (0 à 80 cm ³ inclus) 500 heures (plus de 80 cm ³) 1 000 heures (225 cm ³ et plus)

L'étiquette volante d'informations sur l'indice atmosphérique doit rester sur le moteur jusqu'à ce qu'il soit vendu. Enlever l'étiquette volante avant de faire fonctionner le moteur.

Caractéristiques

GCV145

Modèle	GCV145H
Code descriptif	GJAMH
Longueur × Largeur × Hauteur	415 × 362 × 360,5 mm
Masse à sec [poids]	11,8 kg
Type de moteur	4 temps, VHR, monocylindre
Cylindrée	145 cm ³
Alésage × Course	56,0 × 59,0 mm
Puissance nette (conformément à SAE J1349*)	3,1 kW (4,2 PS) à 3 600 tr/min
Couple net maxi (conformément à SAE J1349*)	9,1 N·m (0,93 kgf·m) à 2 500 tr/min
Contenance en huile moteur	0,40 L
Capacité du réservoir de carburant	0,91 L
Système de refroidissement	Air forcé
Système d'allumage	Allumage magnétique de type transistor
Rotation de l'arbre de prise de force	Sens inverse des aiguilles d'un montre

GCV170

Modèle	GCV170H
Code descriptif	GJANH
Longueur × Largeur × Hauteur	415 × 362 × 360,5 mm
Masse à sec [poids]	11,8 kg
Type de moteur	4 temps, VHR, monocylindre
Cylindrée	166 cm ³
Alésage × Course	60,0 × 59,0 mm
Puissance nette (conformément à SAE J1349*)	3,6 kW (4,9 PS) à 3 600 tr/min
Couple net maxi (conformément à SAE J1349*)	11,1 N·m (1,13 kgf·m) à 2 500 tr/min
Contenance en huile moteur	0,40 L
Capacité du réservoir de carburant	0,91 L
Système de refroidissement	Air forcé
Système d'allumage	Allumage magnétique de type transistor
Rotation de l'arbre de prise de force	Sens inverse des aiguilles d'un montre

GCV200

Modèle	GCV200H
Code descriptif	GJAPH
Longueur × Largeur × Hauteur	415 × 362 × 360,5 mm
Masse à sec [poids]	11,8 kg
Type de moteur	4 temps, VHR, monocylindre
Cylindrée	201 cm ³
Alésage × Course	66,0 × 59,0 mm
Puissance nette (conformément à SAE J1349*)	4,2 kW (5,7 PS) à 3 600 tr/min
Couple net maxi (conformément à SAE J1349*)	12,7 N·m (1,30 kgf·m) à 2 500 tr/min
Contenance en huile moteur	0,40 L
Capacité du réservoir de carburant	0,91 L
Système de refroidissement	Air forcé
Système d'allumage	Allumage magnétique de type transistor
Rotation de l'arbre de prise de force	Sens inverse des aiguilles d'un montre

* La puissance nominale du moteur indiquée dans ce document est la puissance de sortie nette testée sur un moteur de production de ce modèle, et mesurée conformément à SAE J1349 à 3.600 tr/min (puissance nette) et à 2.500 tr/min (couple net maxi). La puissance de sortie des moteurs fabriqués en grande série peut avoir une valeur différente. La puissance de sortie réelle lorsque le moteur est installé dans la machine finale variera en fonction de plusieurs facteurs, y compris la vitesse de fonctionnement du moteur pendant l'utilisation, les conditions environnementales, la maintenance et autres variables.

Caractéristiques de mise au point GCV145/170/200

ELEMENT	CARACTERISTIQUE	ENTRETIEN
Écartement des bougies	0,7 à 0,8 mm	Se reporter en page 6
Ralenti	1 700±150 tr/min	-
Jeu de soupape (froide)	IN : 0,10±0,02 mm EX : 0,10±0,02 mm	Voir votre revendeur Honda agréé
Autres caractéristiques	Aucun autre réglage nécessaire.	

Informations de référence rapide

Carburant	Essence sans plomb (se reporter en page 4).	
	États-Unis	Indice d'octane pompe d'au moins 86
	Excepté les États-Unis	Indice d'octane recherche d'au moins 91 Indice d'octane pompe d'au moins 86
Huile moteur	SAE 10W-30, API SE ou ultérieur, pour un usage général. Se reporter en page 5.	
Bougie	BPR5ES (NGK)	
Entretien	Avant chaque utilisation :	
	<ul style="list-style-type: none"> Vérifier le niveau d'huile moteur. Se reporter en page 5. Vérifier le filtre à air. Se reporter en page 5. 	
	Les 5 premières heures : Changer l'huile moteur. Se reporter en page 5.	
	Suivantes : Se reporter à la planification d'entretien en page 4.	

NOTE:

Les caractéristiques sont sujettes à modification sans préavis.

INFORMATIONS DU CONSOMMATEUR

Garantie et informations de localisation de distributeur/ concessionnaire

Etats-Unis, Porto Rico et Iles vierges des Etats-Unis :
Rendez-vous sur notre site Web : www.honda-engines.com

Canada :
Appelez le (888) 9HONDA9 ou rendez-vous sur notre site Web : www.honda.ca

Pour la zone européenne :
Rendez-vous sur notre site Web : <http://www.honda-engines-eu.com>

Informations de service à la clientèle

Le personnel des concessionnaires compte des professionnels qualifiés. Il devrait pouvoir répondre à toutes vos questions. Si le technicien ne résout pas votre problème de manière satisfaisante, adressez-vous à la direction de la concession. Le responsable du service après-vente, le directeur général ou le propriétaire pourra vous aider. Presque tous les problèmes se résolvent de cette manière.

Etats-Unis, Porto Rico et Iles vierges des Etats-Unis :
Si vous n'êtes pas satisfait de la décision prise par la direction de la concession, adressez-vous à votre distributeur de moteur Honda régional.

Si vous n'êtes toujours pas satisfait après avoir parlé au distributeur de moteurs régional, contactez le bureau Honda comme suit.

Toutes les autres régions :
Si vous n'êtes pas satisfait de la décision prise par la direction de la concession, adressez-vous au bureau Honda indiqué.

«Bureau Honda»

Lorsque vous écrivez ou appelez, veuillez fournir les informations suivantes:

- Nom du fabricant et numéro de modèle de l'équipement sur lequel est monté le moteur
- Modèle, numéro de série et type du moteur (voir page 8)
- Nom du concessionnaire vous ayant vendu le moteur
- Nom, adresse et personne à contacter du concessionnaire assurant le service après-vente de votre moteur
- Date d'achat
- Vos nom, adresse et numéro de téléphone
- Description détaillée du problème

Etats-Unis, Porto Rico et Iles vierges des Etats-Unis :

American Honda Motor Co., Inc.

Division Power Equipment
Customer Relations Office
4900 Marconi Drive
Alpharetta, GA 30005-8847

Ou téléphoner au : (770) 497-6400, 8:30 - 19:00 ET

Canada :

Honda Canada, Inc.

Visitez notre site Web www.honda.ca
pour des informations relatives aux adresses

Téléphone : (888) 9HONDA9 Gratuit
(888) 946-6329

Télécopie : (877) 939-0909 Gratuit

Pour la zone européenne :

Honda Motor Europe Logistics NV.

European Engine Center

<http://www.honda-engines-eu.com>

Toutes les autres régions :

S'adresser au distributeur Honda local pour toute assistance.

Garantie internationale des moteurs à usage général Honda

Le moteur à usage général Honda installé sur ce matériel de marque est couvert par une garantie Honda dans les conditions suivantes :

- Les conditions de garantie sont conformes à celles pour le moteur à usage général établies par Honda pour chaque pays.
- Les conditions de garantie s'appliquent aux pannes de moteur causées par un problème de fabrication ou de spécification.
- La garantie ne s'applique pas aux pays où il n'existe pas de distributeur Honda.

Pour bénéficier de la garantie :

Vous devez confier votre moteur à usage général Honda, ou l'équipement sur lequel il est monté, accompagné de la preuve de la date d'achat du produit à un revendeur de moteurs Honda autorisé à vendre ce produit dans votre pays ou au revendeur qui vous a vendu ce produit. Pour localiser un revendeur/distributeur Honda près de chez vous ou pour vérifier les conditions de garantie dans votre pays, consultez notre site Web mondial d'informations relatives au service <https://www.hppsv.com/ENG/> ou contactez un distributeur dans votre pays.

Exclusions :

Cette garantie moteur n'inclut pas :

1. Tout dommage ou toute détérioration résultant de ce qui suit :
 - Non-réalisation de l'entretien périodique tel que spécifié dans le manuel d'utilisation du moteur
 - Réparation ou entretien incorrect(e)
 - Méthodes d'utilisation différentes de celles indiquées dans le manuel d'utilisation du moteur
 - Dommages entraînés par le produit sur lequel le moteur est monté
 - Dommages entraînés par la transformation en un carburant, ou l'utilisation d'un carburant, autre que le(s) carburant(s) pour lequel/lesquels le moteur est conçu, tel que défini dans le manuel d'utilisation du moteur et/ou le livret de garantie
 - Utilisation de pièces et d'accessoires non d'origine Honda, autres que ceux approuvés par Honda (autres que les lubrifiants et liquides recommandés) (ne s'applique pas à la garantie sur les émissions sauf si une pièce non d'origine utilisée n'est pas comparable à la pièce Honda et a entraîné la panne)
 - Exposition du produit à la suie et aux fumées, aux agents chimiques, aux déjections d'oiseaux, à l'eau de mer, à la brise marine, au sel ou à tout autre phénomène environnemental
 - Collision, contamination ou détérioration du carburant, négligence, modification non autorisée ou utilisation incorrecte
 - Usure naturelle (décoloration naturelle des surfaces peintes ou plaquées, détachement de tôle et autre détérioration naturelle)
2. Les consommables : Honda ne garantit pas la détérioration des pièces due à une usure normale. Les pièces répertoriées ci-dessous ne sont pas couvertes par la garantie (sauf si elles font partie d'une autre réparation sous garantie) :
 - Bougie, filtre à carburant, élément de filtre à air, disque d'embrayage, câble de démarreur manuel
 - Lubrifiant : huile et graisse
3. Les opérations de nettoyage, réglage et entretien périodique normal (nettoyage du carburateur et vidange de l'huile du moteur).
4. L'utilisation du moteur à usage général Honda pour la course ou la compétition.
5. Tout moteur monté sur un produit qui a fait l'objet d'une déclaration de perte totale ou de vente à sa valeur de récupération par un organisme financier ou un assureur.

A propos de l'étiquette ENTRETIEN & ASSISTANCE

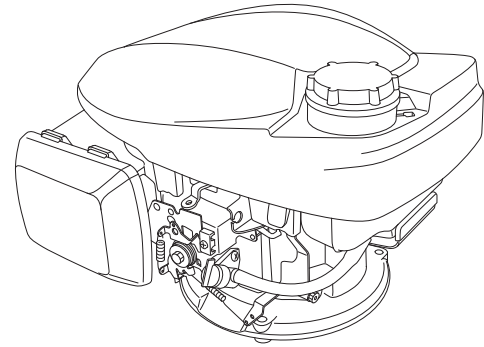
Il est possible qu'une étiquette ENTRETIEN & ASSISTANCE* soit apposée sur le moteur Honda d'utilisation générale. Si vous visitez notre site Web en scannant ce code-barres 2D (code QR), vous trouverez des informations relatives à l'entretien.
* Cette étiquette n'est pas apposée sur tous les modèles.



https://www.hondappsv.com/ENG/QR/GCV145_170_200/

HONDA

BEDIENUNGSANLEITUNG GCV145 · GCV170 · GCV200



• Die Abbildung kann je nach Typ variieren.

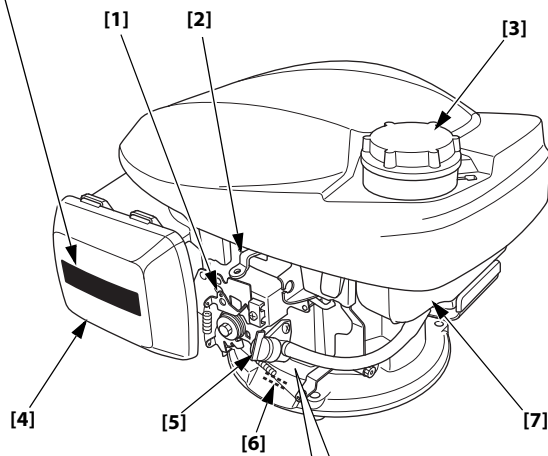
⚠️ WARNUNG

Die Motorabgase dieses Produkts enthalten chemische Stoffe, die dem Bundesstaat Kalifornien als Verursacher von Krebs, Geburtsschäden oder anderen Fortpflanzungsschäden bekannt sind.

POSITION VON SICHERHEITSPAKETTEN / LAGE DER KOMPONENTEN UND BEDIENUNGSELEMENTE



Typ mit handbetätigter Kaltstarthilfe
(Typ ohne CHOKE-HEBEL)
(Typen mit entsprechender Ausstattung)



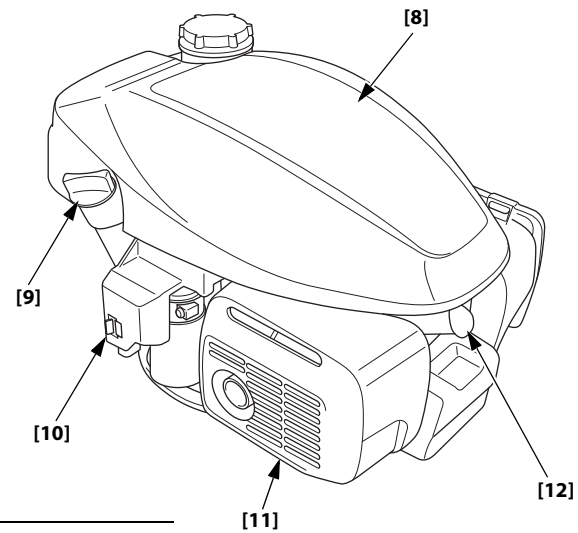
Vor Inbetriebnahme die Bedienungsanleitung lesen.



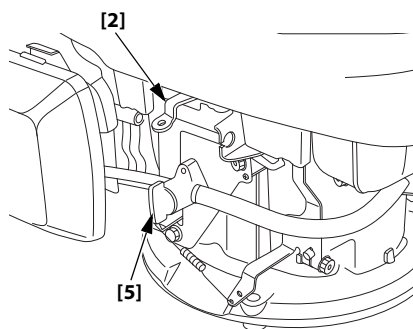
Im Abgas des Motors ist giftiges Kohlenmonoxid enthalten. Nicht in einem geschlossenen Bereich laufen lassen.



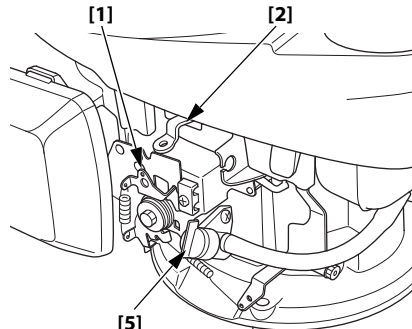
Benzin ist äußerst feuergefährlich und explosiv. Vor dem Tanken den Motor abstellen und abkühlen lassen.



Typ mit Startautomatik
(FESTGAS-Typ)
(Typen mit entsprechender Ausstattung)



Typ mit Startautomatik
(HANDGAS-Typ)
(Typen mit entsprechender Ausstattung)



- [1] STEUERHEBEL (Typen mit entsprechender Ausstattung)
- [2] SCHWUNGRADBREMSEHEBEL (Typen mit entsprechender Ausstattung)
- [3] TANKDECKEL
- [4] LUFTFILTER
- [5] KRAFTSTOFFHAHN
- [6] SERIENNUMMER u. MOTORTYP
- [7] KRAFTSTOFFTANK
- [8] OBERE ABDECKUNG
- [9] ÖLEINFÜLLVERSCHLUSS
- [10] USB-LADEANSCHLUSS
- [11] AUSPUFFTOPF
- [12] ZÜNDKERZE

DEUTSCH

EINFÜHRUNG

Vielen Dank, dass Sie sich für einen Motor von Honda entschieden haben. Wir möchten Ihnen dabei helfen, die besten Ergebnisse mit Ihrem neuen Motor zu erzielen und ihn sicher zu betreiben. Dieses Handbuch enthält diesbezügliche Informationen; bitte lesen Sie es sorgfältig durch, bevor Sie den Motor in Betrieb nehmen. Wenden Sie sich mit Problemen oder Fragen jederzeit an Ihren Wartungshändler.

Alle Informationen in dieser Veröffentlichung beruhen auf dem zum Zeitpunkt der Drucklegung aktuellen Produktinformationsstand. Honda Motor Co., Ltd. behält sich das Recht vor, jederzeit und ohne Vorankündigung Änderungen vorzunehmen, ohne hierdurch irgendeine Verpflichtung einzugehen. Kein Teil dieser Veröffentlichung darf ohne schriftliche Genehmigung reproduziert werden.

Dieses Handbuch ist als permanenter Bestandteil des Motors zu betrachten und sollte bei einem Verkauf des Motors dem neuen Besitzer übergeben werden.

Wir raten Ihnen, die Garantiepolice durchzulesen, um die Garantieleistungen und Ihre Verantwortung als Besitzer voll zu verstehen.


Zusätzliche Informationen bezüglich Starten, Stoppen, Betrieb und Einstellungen des Motors oder spezieller Wartungsanweisungen entnehmen Sie bitte der Gebrauchsanleitung für die Ausrüstung, die durch diesen Motor angetrieben wird.

INHALT

SICHERHEITSANGABEN	1	NÜTZLICHE TIPPS UND	
SICHERHEITSINFORMATIONEN.....	1	EMPFEHLUNGEN.....	7
KONTROLLEN VOR DEM BETRIEB.....	2	LAGERN DES MOTORS	7
BETRIEB	2	TRANSPORT	8
VORKEHRUNGEN FÜR		BEHEBUNG UNERWARTETER	
SICHEREN BETRIEB	2	PROBLEME.....	8
STARTEN DES MOTORS	2	TECHNISCHE INFORMATION	8
STOPPEN DES MOTORS.....	3	VERBRAUCHERINFORMATION	11
WARTUNG DES MOTORS	4	Garantie und	
DIE WICHTIGKEIT		Händlerinformationen/	
RICHTIGER WARTUNG.....	4	Suchfunktion für Händler.....	11
SICHERHEIT BEI		Kundendienstinformation	11
WARTUNGSARBEITEN	4		
SICHERHEITSVORKEHRUNGEN.....	4		
WARTUNGSPLAN.....	4		
TANKEN.....	4		
MOTORÖL	5		
LUFTFILTER.....	5		
ZÜNDKERZE.....	6		
FUNKENSCHUTZ	6		
AKKU-LADUNG.....	6		

SICHERHEITSANGABEN

Achten Sie auf Ihre eigene Sicherheit und die anderer Personen. Wichtige Sicherheitsangaben finden Sie in diesem Handbuch und am Motor. Bitte lesen Sie diese Angaben aufmerksam.

Eine Sicherheitsangabe weist auf potenzielle Verletzungsgefahren für Sie und andere Personen hin. Jede Sicherheitsangabe ist durch ein Achtungssymbol  und eines der drei Schlüsselwörter GEFAHR, WARNUNG oder VORSICHT gekennzeichnet.

Diese Schlüsselwörter haben die folgenden Bedeutungen:

GEFAHR

Bei Nichtbefolgung der gegebenen Anweisungen besteht HÖCHSTE LEBENSGEFAHR bzw. die GEFAHR LEBENSGEFÄHRLICHER VERLETZUNGEN.

WARNUNG

Bei Nichtbefolgung der gegebenen Anweisungen besteht LEBENSGEFAHR bzw. die GEFAHR SCHWERER VERLETZUNGEN.

VORSICHT

Bei Nichtbefolgung der gegebenen Anweisungen besteht VERLETZUNGSGEFAHR.

Jede dieser Angaben gibt Aufschluss über die Art der Gefahr, die möglichen Folgen und die Abhilfemaßnahmen zur Vermeidung oder Minderung von Verletzungen.

SCHADENVERHÜTUNGSANGABEN

Außerdem enthält das Handbuch andere wichtige Textstellen, die durch das Wort ACHTUNG gekennzeichnet sind.

Dieses Wort hat die folgende Bedeutung:

ACHTUNG

Bei Nichtbefolgung der Anweisungen besteht die Gefahr einer Beschädigung des Motors oder anderer Sachwerte.

Diese Angaben sollen Ihnen dabei helfen, Schäden am Motor, an anderen Sachwerten und an der Umwelt zu verhüten.

SICHERHEITSINFORMATIONEN

- Machen Sie sich mit der Funktion aller Bedienungselemente vertraut, und prägen Sie sich ein, wie der Motor im Notfall schnell abzustellen ist. Stellen Sie sicher, dass die Bedienungsperson vor Benutzung der Ausrüstung ausreichende Anweisungen erhält.
- Kindern ist der Betrieb des Motors zu verbieten. Halten Sie Kinder und Tiere vom Betriebsbereich fern.
- Die Abgase des Motors enthalten giftiges Kohlenmonoxid. Lassen Sie den Motor nicht ohne ausreichende Belüftung und auf keinen Fall in Innenräumen laufen.
- Motor und Auspuff werden bei Betrieb sehr heiß. Halten Sie den Motor im Betrieb mindestens 1 m von Gebäuden und anderer Ausrüstung fern. Halten Sie brennbare Flüssigkeiten fern und bringen Sie den laufenden Motor mit nichts in Berührung.

Entsorgung



Entsorgen Sie dieses Produkt, den Akku usw. zum Schutz der Umwelt nicht achtlos im Hausmüll.

Beachten Sie die örtlichen Gesetze und Vorschriften, oder wenden Sie sich zur Entsorgung an Ihren autorisierten Geräte-Händler (z. B. für Ihren Rasenmäher).

POSITION VON SICHERHEITSPAKETTEN

Siehe Seite A-1.

Diese Plakette warnt Sie vor möglichen Gefahren, um schwere Verletzungen vermeiden zu helfen. Lesen Sie sie bitte aufmerksam durch. Wenn sich die Plakette abgelöst hat oder schwer lesbar geworden ist, wenden Sie sich an Ihren Honda-Wartungshändler, um einen Ersatz zu bekommen.

LAGE DER KOMPONENTEN UND BEDIENUNGSELEMENTE

Siehe Seite A-1.

KONTROLLEN VOR DEM BETRIEB

IST DER MOTOR BETRIEBSBEREIT?

Um Ihre Sicherheit zu gewährleisten, die Einhaltung von Umweltvorschriften sicherzustellen und die Lebensdauer der Ausrüstung zu maximieren, ist der Zustand des Motors vor jeder Inbetriebnahme zu überprüfen. Beheben Sie etwaige Störungen selbst, oder lassen Sie sie von Ihrem Wartungshändler korrigieren, bevor Sie den Motor in Betrieb nehmen.

⚠️ WARNUNG

Unsachgemäße Wartung dieses Motors oder Nichtbehebung eines Problems vor der Inbetriebnahme könnte eine ernste Funktionsstörung verursachen.

Einige Funktionsstörungen können schwere Verletzungen oder Tod verursachen.

Führen Sie stets eine Überprüfung vor jedem Betrieb durch, und beseitigen Sie etwaige Probleme.

Bevor Sie mit den Kontrollen vor dem Betrieb beginnen, vergewissern Sie sich, dass der Motor waagrecht steht und abgestellt ist.

Prüfen Sie stets die folgenden Punkte, bevor Sie den Motor starten:

Allgemeinen Zustand des Motors kontrollieren

1. Prüfen Sie die Außen- und Unterseite des Motors auf Anzeichen von Öl- oder Kraftstofflecks.
2. Übermäßigen Schmutz oder Fremdkörper entfernen, insbesondere um den Schalldämpfer und die obere Abdeckung.
3. Nach Anzeichen von Beschädigung suchen.
4. Prüfen, ob alle Abschirmungen und Abdeckungen angebracht und alle Muttern sowie Schrauben angezogen sind.

Motor kontrollieren

1. Den Kraftstoffstand kontrollieren (siehe Seite 4). Durch Starten mit vollem Tank können Betriebsunterbrechungen zum Betanken vermieden oder verringert werden.
2. Den Motorölstand kontrollieren (siehe Seite 5). Betrieb des Motors mit niedrigem Ölstand kann Motorschäden verursachen.
3. Den Luftfiltereinsatz kontrollieren (siehe Seite 5). Ein verschmutzter Luftfiltereinsatz behindert den Luftstrom zum Vergaser, wodurch die Motorleistung vermindert wird.
4. Den Akkuladestand prüfen (siehe Seite 6).
5. Kontrollieren Sie die von diesem Motor angetriebene Ausrüstung.

Schlagen Sie bezüglich etwaiger Vorkehrungen oder Verfahren, die vor dem Motorstart befolgt werden müssen, in der Gebrauchsanleitung für die von diesem Motor angetriebene Ausrüstung nach.

BETRIEB

VORKEHRUNGEN FÜR SICHEREN BETRIEB

Bitte lesen Sie die Abschnitte *SICHERHEITSMITTEILUNG* auf Seite 1 und *KONTROLLEN VOR DEM BETRIEB* auf Seite 2, bevor Sie den Motor zum ersten Mal in Betrieb nehmen.

Gefahren durch Kohlenmonoxid

Aus Sicherheitsgründen darf der Motor nicht in einem geschlossenen Raum, wie z. B. in einer Garage, betrieben werden. Das Motorabgas enthält giftiges Kohlenmonoxid, das sich in einer geschlossenen Umgebung rasch ansammelt und Gesundheitsschäden verursachen bzw. tödliche Folgen haben kann.

⚠️ WARNUNG

Abgas enthält giftiges Kohlenmonoxid, das in geschlossenen Räumen gefährliche Konzentrationen erreichen kann.

Einatmen von Kohlenmonoxid kann Bewusstlosigkeit hervorrufen und zum Tod führen.

Niemals den Motor in einem geschlossenen Raum und auch nicht in einer teilweise geschlossenen Umgebung laufen lassen.

Schlagen Sie bezüglich etwaiger Sicherheitsvorkehrungen, die beim Starten, Stoppen oder Betrieb des Motors befolgt werden müssen, in der Gebrauchsanleitung für die von diesem Motor angetriebene Ausrüstung nach.

Den Motor nicht an Steigungen bzw. Gefällen von über 15 Grad (26%) betreiben.

Umgang mit dem Akku

ACHTUNG

Wenn Sie die folgenden Anweisungen nicht beachten, kann dies zu Kurzschlüssen, Wärmeentwicklung, Entzündung, Gasinjektion und Flüssigkeitsleckagen führen.

- Zerlegen und modifizieren Sie den Akku nicht.
- Setzen Sie das Gerät keinen starken Stöße aus, und lassen Sie es beispielsweise nicht fallen und platzieren Sie keine schweren Gegenstände darauf.
- Wenn der Akku ins Wasser fällt, verwenden Sie ihn nicht weiter.
- Entfernen Sie nicht das Etikett auf der Oberseite des Akkus.

⚠️ VORSICHT

Wenn bei der Verwendung, der Lagerung und beim Laden des Akkus Probleme wie Geruchs- oder Wärmeentwicklung, Verformung und Verfärbung auftreten, verwenden Sie den Akku nicht weiter.

Wenn der Akku auf Ihre Haut oder Kleidung gelangt, spülen Sie sie mit klarem Wasser ab.

Wenn ausgelaufene Akkufflüssigkeit in Ihre Augen spritzt, spülen Sie sie gründlich mit klarem Wasser aus und suchen Sie sofort einen Arzt auf, ohne sich die Augen zu reiben. Eine Nichtbeachtung kann zu Augenschäden führen.

STARTEN DES MOTORS

Den Choke nicht benutzen, wenn der Motor warm oder die Lufttemperatur hoch ist.

• Typ mit handbetätigter Kaltstarthilfe (Typen mit entsprechender Ausstattung)

1. Den Kraftstoffhahn aufdrehen (auf EIN stellen).
Siehe Abbildung 1, Seite A-2.
2. [Typ ohne CHOKE-HEBEL]
(Typen mit entsprechender Ausstattung)
Den Steuerhebel in die Stellung GESCHLOSSEN (CHOKE) schieben.
Siehe Abbildung 2, Seite A-2.
3. Typ mit SCHWUNGRADBREMSHEBEL:
(Typen mit entsprechender Ausstattung)
Den Schwungradbremshebel auf FREIGABE stellen.
Der mit dem Schwungradbremshebel verbundene Motorschalter wird eingeschaltet, wenn der Schwungradbremshebel auf FREIGABE gestellt wird.
Siehe Abbildung 3, Seite A-2.
4. Den Bremshebel der von diesem Motor angetriebenen Ausrüstung betätigen.
Die Akkuanzeige leuchtet oder blinkt 5 Sekunden lang und zeigt damit den Akkuladestand an (siehe Seite 6), wenn der Bremshebel der von diesem Motor angetriebenen Ausrüstung betätigt wird.

- Den Bremshebel gedrückt halten und den Motorstartknopf der von diesem Motor angetriebenen Ausrüstung drücken. Die Akkuanzeige erlischt und der Motor springt an.

ACHTUNG

Starten Sie den Motor nicht, wenn die Funktion der von diesem Motor angetriebenen Ausrüstung eingeschränkt ist (z. B. wenn das Messer des Rasenmähers blockiert ist).

Wenn Sie in diesem Zustand versuchen, den Motor zu starten, stoppt die Drehung des Anlassers automatisch. Der Motor kann nicht gestartet werden, wenn sich der Anlasser nicht dreht.

Wenn Sie anschließend mehrmals versuchen, den Motor zu starten, leuchtet die Akkuanzeige nicht und der Motor wird aufgrund des Akkuschlusses nicht gestartet. Warten Sie eine Weile und versuchen Sie, den Motor erneut zu starten.

Wenn der Motor nicht innerhalb von 3 Sekunden anspringt, leuchtet die Akkuanzeige oder blinkt erneut 5 Sekunden lang und zeigt damit den Akkuladestand an (siehe Seite 6).

Drücken Sie nach der Anzeige des Akkuladestands erneut den Motorstartknopf.

ACHTUNG

Wenn die Akkuanzeige blinkt, ist der Akkuladestand niedrig. Um eine ausreichende Ladung des Akkus durch Selbstaufladung sicherzustellen, sollte das Gerät länger betrieben werden.

Wenn die Akkuanzeige während des Startvorgangs nicht leuchtet, laden Sie den Akku mit dem externen USB-Ladegerät auf (siehe Seite 6).

ACHTUNG

Wenn der Motor nach einer Lagerung von mehr als 1 Monat verwendet werden soll, drücken Sie den Motorstartknopf der von diesem Motor angetriebenen Ausrüstung, um den Akku zu starten, und vergewissern Sie sich, dass die Akkuanzeige blinkt.

- [Typ ohne CHOKE-HEBEL] (Typen mit entsprechender Ausstattung)

Den Steuerhebel nach dem Warmlaufen des Motors auf SCHNELL oder LANGSAM stellen.
Siehe Abbildung 4, Seite A-2.

- **Typ mit Startautomatik (Typen mit entsprechender Ausstattung)**

- Den Kraftstoffhahn aufdrehen (auf EIN stellen).
Siehe Abbildung 1, Seite A-2.
- Typ mit SCHWUNGRADBREMSEHEBEL (Typen mit entsprechender Ausstattung):
Den Schwungradbremshebel auf FREIGABE stellen.
Siehe Abbildung 3, Seite A-2.
- [HANDGAS-Typ] (Typen mit entsprechender Ausstattung)
Den Steuerhebel zur Stellung SCHNELL bewegen.
Siehe Abbildung 4, Seite A-2.
- Den Bremshebel der von diesem Motor angetriebenen Ausrüstung betätigen.
Die Akkuanzeige leuchtet oder blinkt 5 Sekunden lang und zeigt damit den Akkuladestand an (siehe Seite 6), wenn der Bremshebel der von diesem Motor angetriebenen Ausrüstung betätigt wird.
- Den Bremshebel gedrückt halten und den Motorstartknopf der von diesem Motor angetriebenen Ausrüstung drücken. Die Akkuanzeige erlischt und der Motor springt an.

ACHTUNG

Starten Sie den Motor nicht, wenn die Funktion der von diesem Motor angetriebenen Ausrüstung eingeschränkt ist (z. B. wenn das Messer des Rasenmähers blockiert ist).

Wenn Sie in diesem Zustand versuchen, den Motor zu starten, stoppt die Drehung des Anlassers automatisch. Der Motor kann nicht gestartet

werden, wenn sich der Anlasser nicht dreht.

Wenn Sie anschließend mehrmals versuchen, den Motor zu starten, leuchtet die Akkuanzeige nicht und der Motor wird aufgrund des Akkuschlusses nicht gestartet. Warten Sie eine Weile und versuchen Sie, den Motor erneut zu starten.

Wenn der Motor nicht innerhalb von 3 Sekunden anspringt, leuchtet die Akkuanzeige oder blinkt erneut 5 Sekunden lang und zeigt damit den Akkuladestand an (siehe Seite 6).

Drücken Sie nach der Anzeige des Akkuladestands erneut den Motorstartknopf.

ACHTUNG

Wenn die Akkuanzeige blinkt, ist der Akkuladestand niedrig. Um eine ausreichende Ladung des Akkus durch Selbstaufladung sicherzustellen, sollte das Gerät länger betrieben werden.

Wenn die Akkuanzeige während des Startvorgangs nicht leuchtet, laden Sie den Akku mit dem externen USB-Ladegerät auf (siehe Seite 6).

ACHTUNG

Wenn der Motor nach einer Lagerung von mehr als 1 Monat verwendet werden soll, drücken Sie den Motorstartknopf der von diesem Motor angetriebenen Ausrüstung, um den Akku zu starten, und vergewissern Sie sich, dass die Akkuanzeige blinkt.

- [HANDGAS-Typ] (Typen mit entsprechender Ausstattung)
Die gewünschte Motordrehzahl mit dem Steuerhebel einstellen.

STOPPEN DES MOTORS

- [HANDGAS-Typ] (Typen mit entsprechender Ausstattung)
Den Steuerhebel zur Stellung LANGSAM bewegen.
Siehe Abbildung 4, Seite A-2.
- Typ mit SCHWUNGRADBREMSEHEBEL (Typen mit entsprechender Ausstattung):
Den Schwungradbremshebel auf EINGERÜCKT zurückstellen. Der Motorschalter ist mit dem Schwungradbremshebel verbunden und wird ausgeschaltet, wenn der Schwungradbremshebel in die Bremsposition (EINGERÜCKT) geschaltet wird.
Siehe Abbildung 3, Seite A-2.
Typ ohne SCHWUNGRADBREMSEHEBEL (Typen mit entsprechender Ausstattung):
Den Steuerhebel zur Stellung STOPP bewegen.
Der Motorstoppschalter ist mit dem Steuerhebel verbunden und wird ausgeschaltet, sobald der Steuerhebel auf die STOPP-Position geschoben wird.
Siehe Abbildung 5, Seite A-2.
- Den Kraftstoffhahn zudrehen (auf AUS stellen).
Siehe Abbildung 1, Seite A-2.

WARTUNG DES MOTORS

DIE WICHTIGKEIT RICHTIGER WARTUNG

Gute Wartung ist für sicheren, wirtschaftlichen und störungsfreien Betrieb von ausschlaggebender Bedeutung. Sie trägt auch zur Verringerung der Umweltbelastung bei.

⚠️ WARNUNG

Unsachgemäße Wartung dieses Motors oder Nichtbehebung eines Problems vor der Inbetriebnahme könnte eine ernste Funktionsstörung verursachen.

Einige Funktionsstörungen können schwere Verletzungen oder Tod verursachen.

Gehen Sie stets gemäß den Inspektions- und Wartungsempfehlungen/-plänen in dieser Bedienungsanleitung vor.

Um Ihnen bei der korrekten Pflege des Motors zu helfen, enthalten die folgenden Seiten einen Wartungsplan, routinemäßige Überprüfungsverfahren sowie einfache Wartungsverfahren zur Durchführung mit einfachen Handwerkzeugen. Andere Wartungsarbeiten, die schwieriger sind oder Spezialwerkzeuge erfordern, sollten Sie Fachpersonal, wie z. B. einem Honda-Techniker oder einem qualifizierten Mechaniker, überlassen.

Der Wartungsplan gilt für normale Betriebsbedingungen. Wenn Sie den Motor unter erschwerten Bedingungen, z. B. im Dauerbetrieb bei hoher Belastung oder hohen Temperaturen oder bei ungewöhnlich nassen oder staubigen Bedingungen betreiben, lassen Sie sich von Ihrem Honda-Wartungshändler hinsichtlich Ihrer individuellen Anforderungen beraten.

Nur Original-Ersatzteile Honda Genuine oder Teile gleichwertiger Qualität verwenden. Durch den Gebrauch von Ersatzteilen mindererwertiger Qualität kann der Motor Schaden nehmen. Wartung, Austausch sowie Reparatur von Vorrichtungen und Systemen zur Schadstoffbegrenzung können von jeder Motorreparaturfirma oder Einzelperson durchgeführt werden, vorausgesetzt, dass Teile verwendet werden, bei denen die Erfüllung der EPA-Normen bescheinigt ist.

SICHERHEIT BEI WARTUNGSARBEITEN

Nachfolgend sind einige der wichtigsten Sicherheitsvorkehrungen aufgeführt. Es ist jedoch nicht möglich, alle denkbaren Gefahren, die bei Wartungsarbeiten auftreten können, zu erwähnen und entsprechende Vorsichtsmaßnahmen zu beschreiben. Nur Sie können entscheiden, ob ein bestimmter Arbeitsschritt durchgeführt werden sollte oder nicht.

⚠️ WARNUNG

Unsachgemäße Wartung kann die Gebrauchssicherheit beeinträchtigen.

Falsche Ausführung der Anweisungen und Vorkehrungen kann schwere Verletzungen oder Tod verursachen.

Befolgen Sie stets die in dieser Bedienungsanleitung aufgeführten Verfahrensbeschreibungen und Vorsichtsmaßnahmen.

SICHERHEITSVORKEHRUNGEN

- Bevor mit irgendeiner Wartungs- oder Reparaturarbeit begonnen wird, muss der Motor abgestellt sein. Den Zündkerzenstecker abziehen, um einen versehentlichen Anlauf zu vermeiden. Damit können mehrere mögliche Gefahren ausgeschlossen werden:
 - **Kohlenmonoxid-Vergiftung durch Motor-Abgas.**
Im Freien und in ausreichendem Abstand von geöffneten Fenstern oder Türen betreiben.
 - **Verbrennungen durch Berührung heißer Teile.**
Lassen Sie den Motor und die Auspuffanlage abkühlen, bevor Sie entsprechende Teile anfassen.
 - **Verletzungen durch Kontakt mit beweglichen Teilen.**
Lassen Sie den Motor nur dann laufen, wenn Sie dazu angewiesen werden.
- Lesen Sie zuerst die Anweisungen, und vergewissern Sie sich, dass Sie über die notwendigen Werkzeuge und Kenntnisse verfügen.
- Um die Gefahr eines Brandes oder einer Explosion zu minimieren, lassen Sie beim Arbeiten in der Nähe von Benzin besondere Vorsicht walten. Zum Reinigen von Teilen nur ein nicht entflammbares Lösungsmittel, kein Benzin verwenden. Zigaretten, Funken und Flammen von Teilen mit Kraftstoffkontakt fernhalten. Denken Sie daran, dass ein autorisierter Honda-Wartungshändler Ihren Motor am besten kennt und für Wartungs- und Reparaturarbeiten optimal ausgerüstet ist. Um höchste Qualität und Zuverlässigkeit zu gewährleisten, verwenden Sie nur neue Honda-Original-Teile oder gleichwertige Teile für Reparatur und Austausch.

WARTUNGSPLAN

NORMALE WARTUNGSPERIODE (1)		Bei jedem Gebrauch	Erster Monat oder 5 Stunden	Alle 3 Monate oder 25 Stunden	Alle 6 Monate oder 50 Stunden	Jedes Jahr oder alle 100 Stunden	150 Stunden	Alle 2 Jahre oder 250 Stunden	Siehe Seite
Motoröl	Füllstand kontrollieren	o							5
	Wechseln		o		o (2)				5
Luftfilter	Überprüfen	o							5
	Reinigen			o (3)					5
	Auswechseln							o	5
Schwungradbremsklotz (Typen mit entsprechender Ausstattung)	Überprüfen				o				6
Zündkerze	Überprüfen - einstellen					o			6
	Auswechseln							o	6
Funkenschutz (Typen mit entsprechender Ausstattung)	Reinigen					o (5)			Werkstatthandbuch
Leerlaufdrehzahl	Überprüfen					o (4)			Werkstatthandbuch
Kraftstofftank und -filter	Reinigen					o (4)			Werkstatthandbuch
Ventilspiel	Überprüfen - einstellen						o (4)		Werkstatthandbuch
Brennraum	Reinigen	Alle 250 Stunden (4)							Werkstatthandbuch
Kraftstoffschlauch	Überprüfen	Alle 2 Jahre (erforderlichenfalls auswechseln) (4)							Werkstatthandbuch

- (1): Bei kommerzieller Anwendung ein Betriebsstundenprotokoll führen, um die richtigen Wartungsintervalle bestimmen zu können.
- (2): Bei starker Beanspruchung der Maschine oder hohen Umgebungstemperaturen ist das Motoröl alle 25 Stunden zu erneuern.
- (3): Bei Einsatz in staubigen Umgebungen häufiger warten.
- (4): Diese Wartungsarbeiten sollten von Ihrem Wartungshändler ausgeführt werden, es sei denn, Sie verfügen über die richtigen Werkzeuge und technischen Qualifikationen. Näheres zu den Wartungsverfahren findet sich im jeweiligen Honda-Werkstatthandbuch.
- (5): In Europa und anderen Ländern, wo die Maschinenrichtlinie 2006/42/EG anzuwenden ist, empfiehlt es sich, diesen Service von Ihrer Kundendienstwerkstatt vornehmen zu lassen.

Für Wartungsarbeiten am unteren Teil des Motors (Maschine) diesen um 90° drehen und in jedem Fall so ablegen, dass der Vergaser/Luftfilter oben ist. Siehe Abbildung 7, Seite A-3.

TANKEN

Siehe Abbildung 6, Seite A-3.

Empfohlener Kraftstoff

Bleifreies Benzin	
USA	Zapfsäulen-Oktananzahl 86 oder höher
Außer USA	Research-Oktananzahl 91 oder höher
	Zapfsäulen-Oktananzahl 86 oder höher

Kraftstoffspezifikationen, die für die Aufrechterhaltung der Leistung des Abgaskontrollsystems erforderlich sind: E10-Kraftstoff gemäß EU-Verordnung.

Dieser Motor ist für Betrieb mit bleifreiem Benzin mit einer Research-Oktananzahl von 91 oder höher (Oktananzahl 86 oder höher) zertifiziert. Tanken Sie in einem gut belüfteten Bereich bei gestopptem Motor. Wenn der Motor unmittelbar vorher in Betrieb war, lassen Sie ihn zuerst abkühlen. Betanken Sie den Motor niemals in einem Gebäude, wo die Benzindämpfe Flammen oder Funken erreichen können. Sie können bleifreies Benzin mit maximal 10 Volumenprozent Ethanol (E10) oder maximal 5 Volumenprozent Methanol verwenden. Methanol muss auch Kosolventen und Korrosionsinhibitoren enthalten. Durch den Gebrauch von Kraftstoffen mit einem höheren Ethanol- oder Methanolgehalt als oben angegeben können Start- und/oder Leistungsprobleme entstehen. Es kann auch zu Beschädigungen von

Metall-, Gummi- und Kunststoffteilen des Kraftstoffsystems kommen. Motorschäden und Leistungsstörungen wegen Gebrauchs eines Kraftstoffs mit höheren Ethanol- oder Methanol-Prozentsätzen als oben angegeben sind von der Garantie nicht abgedeckt.

⚠️ WARNUNG

Benzin ist äußerst feuergefährlich und explosiv.

Sie können beim Tanken Verbrennungen oder schwere Verletzungen erleiden.

- Vor dem Betanken den Motor abstellen und abkühlen lassen.
- Hitze, Funken und Flammen fern halten.
- Nur im Freien tanken.
- Vom Fahrzeug fern halten.
- Verschüttetes Benzin unverzüglich aufwischen.

ACHTUNG

Kraftstoff kann die Lackierung und einige Kunststoffe angreifen. Achten Sie beim Befüllen des Kraftstofftanks darauf, keinen Kraftstoff zu verschütten. Schäden aufgrund verschütteten Benzins sind nicht von der Garantie abgedeckt.

Niemals abgestandenes, verschmutztes oder mit Öl gemischtes Benzin verwenden. Darauf achten, dass weder Schmutz noch Wasser in den Kraftstofftank gelangt.

Informationen zum Tanken entnehmen Sie bitte der Anleitung für die durch diesen Motor angetriebene Ausrüstung.

1. Bei gestopptem und auf ebener Fläche stehendem Motor den Tankdeckel abnehmen und den Kraftstoffstand kontrollieren. Bei niedrigem Kraftstoffstand auftanken.
2. Kraftstoff bis zur oberen Kraftstoffstandmarke des Kraftstofftanks einfüllen. Verschütteten Kraftstoff vor dem Starten des Motors aufwischen.
3. Beim Auftanken vorsichtig vorgehen, um Verschütten von Kraftstoff zu vermeiden. Den Kraftstofftank nicht überfüllen (im Kraftstoffeinfüllstutzen darf kein Kraftstoff stehen). Je nach Betriebsbedingungen muss der Kraftstoffstand eventuell gesenkt werden. Nach dem Tanken den Tankdeckel wieder gut festdrehen.

Benzin von Zündflammen, Grills, Elektrogeräten, Elektrowerkzeugen usw. fern halten.

Verschütteter Kraftstoff stellt nicht nur eine Feuergefahr dar, sondern verursacht auch Umweltschäden. Verschüttetes Benzin unverzüglich aufwischen.

MOTORÖL

Das Öl ist ein ausschlaggebender Faktor für die Leistung und Lebensdauer des Motors. Waschaktives Kraftfahrzeugöl für Viertaktmotoren verwenden.

Empfohlenes Öl

Siehe Abbildung 9, Seite A-3.

Verwenden Sie ein Motoröl für Viertaktmotoren, das die Anforderungen für API-Serviceklasse SE oder höher (bzw. gleichwertig) erfüllt oder überschreitet. Prüfen Sie stets das API-Service-Etikett am Ölbehälter, um sicherzugehen, dass es die Buchstaben SE oder die einer höheren (bzw. entsprechenden) Klasse enthält.

Schmierölspezifikationen, die für die Aufrechterhaltung der Leistung des Abgaskontrollsystems erforderlich sind: Originalöl von Honda.

SAE 10W-30 wird für allgemeinen Gebrauch empfohlen. Andere in der Tabelle angegebene Viskositäten können verwendet werden, wenn die durchschnittliche Temperatur in Ihrem Gebiet innerhalb des angegebenen Bereichs liegt.

Ölstandkontrolle

Siehe Abbildung 8, Seite A-3.

1. Den Öleinfüllverschluss/Messstab abnehmen und sauberwischen.
2. Den Ölmesstab in den Öleinfüllstutzen einführen, aber nicht einschrauben.
3. Bei niedrigem Ölstand empfohlenes Öl bis zur oberen Markierung am Ölmesstab nachfüllen.

4. Den Öleinfüllverschluss/Messstab anbringen.

ACHTUNG

Den Motor bei niedrigem Ölstand laufen zu lassen, kann zu Motorschäden führen. Diese Art von Schäden ist von der Garantie nicht abgedeckt.

Ölwechsel

Siehe Abbildung 8, Seite A-3, und Abbildung 10, Seite A-3.

Das Altöl bei warmem Motor ablassen. Warmes Öl läuft schnell und vollständig ab.

1. Den Kraftstoffhahnknebel auf OFF stellen. Siehe Abbildung 1, Seite A-2.
2. Den Öleinfüllverschluss losdrehen und das Öl in einen geeigneten Behälter ablassen. Hierbei den Motor in Richtung des Öleinfüllverschlusses neigen.
3. Das empfohlene Öl einfüllen und den Ölstand überprüfen.

ACHTUNG

Betrieb des Motors mit niedrigem Ölstand kann Motorschäden verursachen. Diese Art von Schäden ist von der Garantie nicht abgedeckt.

Motorölkapazität: 0,40 L

4. Den Öleinfüllverschluss/Messstab sicher anbringen.

Nach jedem Kontakt mit gebrauchtem Öl die Hände gründlich mit Wasser und Seife waschen.

ACHTUNG

Altes Motoröl muss umweltverträglich entsorgt werden. Wir empfehlen, Altöl in einem verschlossenen Behälter einem Recycling-Center oder einer Kundendienststelle zur Rückgewinnung zu übergeben. Altöl weder in den Abfall geben noch in die Kanalisation, in einen Abfluss oder auf den Erdboden schütten.

LUFTFILTER

Ein verschmutzter Luftfilter behindert den Luftstrom zum Vergaser, wodurch die Motorleistung vermindert wird. Wird der Motor in sehr staubiger Umgebung betrieben, ist der Luftfilter häufiger als im WARTUNGSPLAN angegeben zu reinigen (siehe Seite 4).

ACHTUNG

Den Motor ohne Luftfilter oder mit einem beschädigten Luftfilter laufen zu lassen, lässt Schmutz in den Motor gelangen und führt zu schnellem Motorverschleiß. Diese Art von Schäden ist von der Garantie nicht abgedeckt.

Überprüfung

Den Luftfilterdeckel abnehmen und den Filtereinsatz überprüfen. Einen verschmutzten Filtereinsatz reinigen oder auswechseln. Ein beschädigter Filtereinsatz ist stets auszuwechseln.

Reinigung

Siehe Abbildung 12, Seite A-4.

1. Den Luftfilterdeckel abnehmen, indem die beiden oberen Ansätze an der Oberseite des Luftfilterdeckels und die beiden unteren Ansätze ausgehakt werden.
2. Den Einsatz entnehmen. Den Einsatz sorgfältig auf Risse und Löcher prüfen; erforderlichenfalls auswechseln.
3. Den Einsatz mehrmals leicht gegen eine harte Oberfläche klopfen, um überschüssigen Schmutz zu entfernen, oder Druckluft mit einem Druck von 200 kPa (29 psi) von innen nach außen durch den Filter blasen. Niemals versuchen, den Schmutz abzubürsten, weil der Schmutz sonst durch die Fasern gedrückt wird. Den Einsatz bei zu starker Verschmutzung auswechseln.
4. Schmutz von der Innenseite des Luftfiltergehäuses und -deckels mit einem feuchten Lappen abwischen. Darauf achten, dass kein Schmutz in den zum Vergaser führenden Luftkanal gelangt.
5. Einsatz und Luftfilterdeckel anbringen.

SCHWUNGRADBREMSE - Überprüfung (bei Typen mit entsprechender Ausstattung)

Das Spiel des Schwungradbremshebels überprüfen. Wenn es weniger als 2 mm beträgt, den Motor zu einem autorisierten Honda-Händler bringen. Siehe Abbildung 11, Seite A-3.

ZÜNDKERZE

Siehe Abbildung 13, Seite A-4.

Empfohlene Zündkerze: BPR5ES (NGK)

Die empfohlene Zündkerze hat den korrekten Wärmewert für normale Motorbetriebstemperaturen.

ACHTUNG

Eine falsche Zündkerze kann Motorschäden verursachen.

Einen noch heißen Motor vor Wartungsarbeiten an der Zündkerze zuerst abkühlen lassen.

Um gute Leistung zu liefern, muss die Zündkerze einen korrekten Elektrodenabstand haben und frei von Ablagerungen sein.

1. Den Zündkerzenstecker abziehen und jeglichen Schmutz im Zündkerzenbereich beseitigen.
2. Die Zündkerze mit dem Zündkerzenschlüssel herausdrehen.
3. Das Äußere der Zündkerze überprüfen. Die Kerze entsorgen, wenn sie sichtlich abgenutzt oder der Isolator gerissen bzw. abgesplittert ist. Wenn die Zündkerze wiederverwendet werden soll, ist sie mit einer Drahtbürste zu reinigen.
4. Den Elektrodenabstand der Zündkerze mit einer Fühlerlehre messen. Den Elektrodenabstand erforderlichenfalls durch Biegen der

Seitenelektrode korrigieren. Sollelektrodenabstand:

0,7–0,8 mm

5. Sicherstellen, dass der Dichtring in Ordnung ist, dann die Zündkerze von Hand einschrauben, um ein Überschneiden des Gewindes zu vermeiden.
6. Die Zündkerze nach dem Aufsitzen mit dem Zündkerzenschlüssel festziehen, um die Scheibe zusammenzudrücken.

Eine neue Zündkerze nach dem Aufsitzen noch um eine weitere 1/2 Drehung festziehen, um die Scheibe zusammenzudrücken.

Eine gebrauchte Zündkerze nach dem Aufsitzen noch um 1/8 bis 1/4 Umdrehung festziehen, um die Scheibe zusammenzudrücken.

ANZUGSDREHMOMENT: 20 N·m (2,0 kgf·m, 15 lbf·ft)

ACHTUNG

Eine lockere Zündkerze kann sich überhitzen und den Motor beschädigen. Durch Überziehen der Zündkerze kann das Gewinde im Zylinderkopf beschädigt werden.

7. Den Zündkerzenstecker auf die Zündkerze aufsetzen.

FUNKENSCHUTZ (Typen mit entsprechender Ausstattung)

In manchen Gebieten ist es illegal, einen Motor ohne Funkenschutz zu betreiben. Überprüfen Sie die örtlichen Gesetze und Vorschriften. Ein Funkenschutz ist bei autorisierten Honda-Wartungshändlern erhältlich.

Der Funkenschutz muss alle 100 Stunden gewartet werden, um seine vorgesehene Funktion zu erhalten.

Wenn der Motor in Betrieb war, ist der Auspufftopf heiß. Den Auspufftopf abkühlen lassen, bevor der Funkenschutz gewartet wird.

Ausbau des Funkenschutzes

Siehe Abbildung 14, Seite A-4, Abbildung 15, Seite A-4 und Abbildung 16, Seite A-5.

1. Die Schraube und Federmutter entfernen.
2. Den Tankdeckel entfernen.

3. Die obere Abdeckung durch Aushaken der vier Ansätze der oberen Abdeckung abnehmen.
4. Den Auspufftopfschutz nach Herausdrehen der drei 6-mm-Schrauben abnehmen.
5. Den Funkenschutz nach Herausdrehen der Schraube vom Auspufftopf abnehmen. (Darauf achten, das Drahtsieb nicht zu beschädigen.)

Reinigung und Überprüfung des Funkenschutzes

Siehe Abbildung 14, Seite A-4, Abbildung 15, Seite A-4 und Abbildung 16, Seite A-5.

Auf Ölkohleablagerungen um den Auslasskanal und Funkenschutz überprüfen; erforderlichenfalls reinigen.

1. Ölkohleablagerungen vom Funkenschutzsieb abbürsten. Darauf achten, dass das Sieb nicht beschädigt wird. Den Funkenschutz auswechseln, falls er Risse oder Löcher aufweist.
2. Funkenschutz, Schalldämpfer, obere Abdeckung und Tankdeckel in umgekehrter Ausbaureihenfolge einbauen.

▲ VORSICHT

Den Motor nicht bei abgenommener oberer Abdeckung betreiben.

Sie könnten Verletzungen durch rotierende Teile oder Verbrennungen durch den Schalldämpfer erleiden.

AKKU-LADUNG

Prüfen des Akkuladestands

Die Akkuanzeige zeigt den Ladezustand des Akkus an. Betätigen Sie den Bremshebel der von diesem Motor angetriebenen Ausrüstung und prüfen Sie den Ladezustand.

- ○ (Leuchtet): Der Akku ist ausreichend aufgeladen.
- ⚡ (Blinkt): Der Akkuladestand ist niedrig.
- ● (Aus): Der Akku ist fast leer.

Siehe Abbildung 18, Seite A-5.

Ladevorgang

Das im Lieferumfang enthaltene externe USB-Ladegerät ist für den Notfall vorgesehen. Das Gerät kann durch Anschließen des externen USB-Ladegeräts an den USB-Ladeanschluss aufgeladen werden. Der C- oder BF-Stecker kann für den externen USB-Ladestecker verwendet werden.

Siehe Abbildung 18, Seite A-5.

ACHTUNG

Beachten Sie beim Aufladen die folgenden Punkte.

- Verwenden Sie das Gerät nicht an Orten, an denen Staub leicht in den Ladeanschluss gelangen kann.
 - Stellen Sie unbedingt den Motor ab, bevor Sie das externe USB-Ladegerät an den USB-Ladeanschluss anschließen.
 - Der USB-Ladeanschluss und das externe USB-Ladegerät dürfen nicht nass werden.
1. Nehmen Sie die Gummikappe vom USB-Ladeanschluss ab und schließen Sie das externe USB-Ladegerät an eine Steckdose an. **Steckdose mit einer Wechselspannung von 100–240 V:** C- oder BF-Stecker
 2. Schließen Sie den USB-Anschluss des externen USB-Ladegeräts an den USB-Ladeanschluss an.
 3. Die Akkuanzeige beginnt zu blinken und der Ladevorgang startet. Wenn die Akkuanzeige leuchtet, ist der Akku vollständig aufgeladen.
 4. Trennen Sie nach dem Laden das externe USB-Ladegerät vom Motor und von der Steckdose.

5. Bringen Sie die Gummikappe am USB-Ladeanschluss an.

ACHTUNG

- *Bringen Sie nach dem Ladevorgang die Gummikappe fest am USB-Ladeanschluss an. Bei nicht angebrachter Gummikappe kann der USB-Ladeanschluss rosten und es ist eventuell kein Ladevorgang möglich.*
- *Stellen Sie vor dem Starten des Motors sicher, dass das externe USB-Ladegerät vom Motor getrennt ist. Es ist möglich, neben dem mitgelieferten externen USB-Ladegerät ein handelsübliches Ladegerät (z. B. ein Ladegerät zum Aufladen des Akkus eines Smartphones) zu verwenden. Die Garantie umfasst:*
 - Typ: USB-Micro-B
 - Standard: USB BC1.2
 - CE zertifiziertes Produkt

NÜTZLICHE TIPPS UND EMPFEHLUNGEN

LAGERN DES MOTORS

Lagerungsvorbereitung

Eine sachgemäße Lagerungsvorbereitung ist ausschlaggebend, um störungsfreien Betrieb und gutes Aussehen des Motors aufrechtzuerhalten. Die folgenden Schritte verhindern, dass Funktion und Erscheinung des Motors durch Rost und Korrosion beeinträchtigt werden, und erleichtern das Starten des Motors bei der Wiederinbetriebnahme.

Reinigung

Wenn der Motor in Betrieb war, lassen Sie ihn mindestens eine halbe Stunde lang abkühlen, bevor Sie mit der Reinigung beginnen. Alle Außenflächen reinigen, Lackschäden ausbessern und rostanfällige Teile mit einem dünnen Ölfilm überziehen.

ACHTUNG

Durch Abspritzen mit einem Gartenschlauch oder Waschen in einer Druckwaschanlage kann Wasser in die Luftfilter- oder Auspufföffnung eindringen. Falls Wasser im Luftfilter vorhanden ist, saugt sich der Filtereinsatz voll, und Wasser, das in den Luftfilter oder Auspuff eindringt, kann in den Zylinder gelangen und Schäden verursachen.

Kraftstoff

ACHTUNG

Kraftstoffzusammensetzungen können je nach Einsatzregion schnell altern und oxidieren. Kraftstoffverschlechterung und-oxidation kann schon in 30 Tagen erfolgen und zu einer Beschädigung des Vergasers und/oder Kraftstoffsystems führen. Ihr Wartungshändler gibt Ihnen gerne Empfehlungen für die Lagerung in Ihrer Region.

Benzin oxidiert und altert bei längerer Lagerung. Gealtertes Benzin verursacht Startprobleme und hinterlässt klebrige Rückstände, die das Kraftstoffsystem verstopfen. Falls das Benzin im Motor während der Lagerung altert, müssen Vergaser und andere Kraftstoffsystemteile eventuell gewartet oder ausgewechselt werden.

Die Zeitdauer, die Benzin im Kraftstofftank und Vergaser belassen werden kann, ohne funktionelle Probleme zu verursachen, hängt von Faktoren ab wie dem Kraftstoffgemisch, den Lagertemperaturen und ob der Kraftstofftank nur teilweise oder vollständig gefüllt ist. Die Luft in einem teilweise gefüllten Kraftstofftank verstärkt die Qualitätsminderung des Kraftstoffs. Sehr warme Lagertemperaturen beschleunigen die Qualitätsminderung des Kraftstoffs. Probleme mit qualitativ gemindertem Kraftstoff können innerhalb von 30 Tagen nach Einfüllen des Kraftstoffs in den Tank auftreten oder sogar früher, wenn das Benzin bei der Befüllung nicht frisch war.

Schäden am Kraftstoffsystem oder Leistungsprobleme des Motors aufgrund mangelnder Lagerungsvorbereitung sind von der Garantie nicht abgedeckt.

Entleeren von Kraftstofftank und Vergaser

Siehe Abbildung 17, Seite A-5.

⚠️ WARNUNG

Benzin ist äußerst feuergefährlich und explosiv.

Sie können beim Tanken Verbrennungen oder schwere Verletzungen erleiden.

- Vor dem Betanken den Motor abstellen und abkühlen lassen.
- Hitze, Funken und Flammen fern halten.
- Nur im Freien tanken.
- Vom Fahrzeug fern halten.
- Verschüttetes Benzin unverzüglich aufwischen.

1. Benzin von Kraftstofftank und Vergaser in einen für Benzin zugelassenen Behälter ablassen.
2. Den Kraftstoffhahnknebel auf EIN stellen und die Vergaserablassschraube durch 1 bis 2 Drehungen entgegen dem Uhrzeigersinn lösen.
3. Nachdem der Kraftstoff restlos abgelassen wurde, die Vergaserablassschraube sicher festziehen und den Kraftstoffhahnknebel auf AUS stellen.
4. Wenn das Ablassen am Vergaser nicht möglich ist, den Kraftstofftank mithilfe einer im Handel erhältlichen Handpumpe in einen für Benzin zugelassenen Behälter entleeren. Vom Gebrauch einer Elektropumpe wird abgeraten. Den Motor so lange laufen lassen, bis er wegen Kraftstoffmangels stehen bleibt.

Motoröl

1. Das Motoröl wechseln (siehe Seite 5).
2. Die Zündkerze herausdrehen (siehe Seite 6).
3. Einen Teelöffel (5-10 cm³) sauberes Motoröl in den Zylinder gießen.
4. Den Anlasser mehrmals starten.
5. Die Zündkerze wieder eindrehen.
6. Rostanfällige Stellen mit einer dünnen Ölschicht versehen. Den Motor abdecken, um Staub fern zu halten.

Lagerungsvorkehrungen

Soll der Motor mit Benzin in Kraftstofftank und Vergaser gelagert werden, ist es wichtig, die Gefahr einer Benzindampfenentzündung zu verringern. Wählen Sie einen gut belüfteten Lagerraum fern von Geräten, die mit Flammen arbeiten, wie z. B. Brennofen, Wasserboiler oder Wäschetrockner. Vermeiden Sie auch Bereiche, in denen ein Funken erzeugender Elektromotor betrieben oder Elektrowerkzeuge benutzt werden.

Wenn der Akku nicht ordnungsgemäß zusammen mit dem Motor gelagert wird, verschlechtert sich möglicherweise die Leistung und Lebensdauer des Akkus.

Der Motor sollte bei einer Temperatur von 5 bis 40 °C gelagert werden.

Vermeiden Sie Lagerräume mit hohen Temperaturen über 40 °C und hoher Luftfeuchtigkeit sowie die Lagerung in Umgebungen mit starken Temperaturschwankungen. Vor direkter Sonneneinstrahlung, Regen oder Tau schützen.

Lagerbereiche mit hoher Luftfeuchtigkeit können Motorrost und Korrosion verursachen. Außerdem kann die Lagerung bei hohen Temperaturen die Lebensdauer des Akkus verkürzen.

Den Motor in waagerechter Stellung lagern. Eine Neigung kann Auslaufen von Kraftstoff oder Öl verursachen.

Den Motor zum Schutz vor Staub abdecken, nachdem Motor und Auspuffanlage abgekühlt sind. Wenn Motor und Auspuffanlage heiß sind, können bestimmte Materialien sich entzünden oder schmelzen. Keine Plastikfolie als Staubschutz verwenden.

Eine undurchlässige Abdeckung schließt Feuchtigkeit um den Motor ein und begünstigt damit Rost und Korrosion.

Bewahren Sie den Motor bei gelöstem Bremshebel der von diesem Motor angetriebenen Ausrüstung auf.

Wenn der Motor länger als 1 Monat gelagert wird, sollte der Akku so weit aufgeladen werden, bis die Akkuanzeige leuchtet.

Wiederinbetriebnahme

Überprüfen Sie den Motor gemäß der Beschreibung im Abschnitt **KONTROLLEN VOR DEM BETRIEB** dieses Handbuchs (siehe Seite 2).

Falls der Kraftstoff während der Vorbereitungen für die Lagerung abgelassen wurde, den Tank mit frischem Benzin füllen. Wenn Sie einen Reservekanister zum Tanken verwenden, achten Sie darauf, dass er immer mit frischem Benzin gefüllt ist. Benzin oxidiert und altert mit der Zeit, wodurch Startprobleme verursacht werden.

Wenn der Zylinder während der Lagerungsvorbereitungen mit einem schützenden Ölfilm überzogen wurde, raucht der Motor beim Starten kurzzeitig. Dies ist normal.

TRANSPORT

Wenn der Motor in Betrieb war, muss er mindestens 15 Minuten lang abkühlen, bevor man die motorgetriebene Ausrüstung auf das Transportfahrzeug lädt. Wenn Motor und Auspuffanlage heiß sind, können Sie sich verbrennen, und entzündliche Materialien in der näheren Umgebung können Feuer fangen.

Halten Sie den Motor beim Transport in waagerechter Stellung, um das Austreten von Benzin zu vermeiden. Drehen Sie den Benzinhahnkegel auf die Position OFF.

Siehe Abbildung 1, Seite A-2.

BEHEBUNG UNERWARTETER PROBLEME**MOTOR SPRINGT NICHT AN**

Mögliche Ursache	Behebung
Kraftstoffhahn auf AUS.	Knebel auf EIN stellen.
Choke geöffnet (Typen mit entsprechender Ausstattung).	Hebel auf GESCHLOSSEN stellen, sofern der Motor nicht warm ist.
Steuerhebel befindet sich nicht in korrekter Position (Typen mit entsprechender Ausstattung).	Hebel in korrekte Stellung bringen.
Schwungradbremshebel auf EINGERÜCKT (Typen mit entsprechender Ausstattung).	Hebel auf FREIGABE stellen.
Kein Kraftstoff.	Nachtanken (S. 4).
Schlechter Kraftstoff: Motor ohne Vorbereitung oder Ablassen des Benzins eingelagert bzw. schlechtes Benzin nachgetankt.	Kraftstofftank und Vergaser entleeren (S. 7). Frisches Benzin nachfüllen (S. 4).
Zündkerze defekt oder verschmutzt bzw. falscher Elektrodenabstand.	Elektrodenabstand korrigieren oder Zündkerze auswechseln (S. 6).
Zündkerze von Kraftstoff nass (Motor "abgesoffen").	Zündkerze trocknen und wieder einsetzen.
Kraftstofffilter verstopft, Vergaserstörung, Zündungsstörung, festsitzende Ventile usw.	Den Motor zum Wartungshändler bringen oder das Werkstatthandbuch hinzuziehen.

UNZUREICHENDE MOTORLEISTUNG

Mögliche Ursache	Behebung
Filtereinsatz verstopft.	Filtereinsatz reinigen oder auswechseln (S. 5).
Schlechter Kraftstoff: Motor ohne Vorbereitung oder Ablassen des Benzins eingelagert bzw. schlechtes Benzin nachgetankt.	Kraftstofftank und Vergaser entleeren (S. 7). Frisches Benzin nachfüllen (S. 4).
Kraftstofffilter verstopft, Vergaserstörung, Zündungsstörung, festsitzende Ventile usw.	Den Motor zum Wartungshändler bringen oder das Werkstatthandbuch hinzuziehen.

ANLASSER STARTET NICHT

Mögliche Ursache	Behebung
Geringe Akkuspannung.	Laden Sie den Akku auf, wenn die Akkuanzeige nicht leuchtet oder blinkt, auch wenn der Bremshebel der von diesem Motor angetriebenen Ausrüstung gekuppelt ist (S. 2).
Kabelbaum, Anlasser, Batterie sind defekt.	Den Motor zum Wartungshändler bringen oder das Werkstatthandbuch hinzuziehen.

AKKU KANN NICHT EXTERN GELADEN WERDEN

Mögliche Ursache	Behebung
Verbindungsfehler.	Überprüfen Sie, ob die Verbindung korrekt ist.
Externes Ladegerät ist defekt.	Das Ladegerät zum Wartungshändler bringen oder das Werkstatthandbuch hinzuziehen.
Kabelbaum, Akku, Akkuanzeige defekt.	Den Motor zum Wartungshändler bringen oder das Werkstatthandbuch hinzuziehen.

TECHNISCHE INFORMATION**Position der Seriennummer**

Siehe Seite A-1.

Tragen Sie bitte die Motorseriennummer unten ein. Sie benötigen diese Information zur Bestellung von Ersatzteilen, bei technischen Fragen und bei Nachfragen zur Garantie.

Motorseriennummer: _____

Motortyp: _____

Kaufdatum: ____ / ____ / ____

Vergasermodifikationen für Betrieb in Höhenlagen

In Höhenlagen ist das Standard-Kraftstoff-Luftgemisch des Vergasers zu fett. Dies verursacht sowohl einen Leistungsverlust als auch erhöhten Kraftstoffverbrauch. Ein sehr fettes Gemisch führt auch zu einer Verschmutzung der Zündkerze und zu Startproblemen. Längerzeitiger Betrieb in einer Höhenlage, die nicht in den Bereich fällt, für den dieser Motor als geeignet befunden worden ist, kann erhöhte Emissionswerte zur Folge haben.

Die Motorleistung bei Betrieb in Höhenlagen kann durch entsprechende Vergasermodifikationen verbessert werden. Wenn der Motor stets in Höhenlagen über 610 m betrieben wird, lassen Sie diese Vergasermodifikationen von Ihrem Wartungshändler vornehmen. Wenn der Motor in Höhenlagen mit den entsprechenden Vergasermodifikationen betrieben wird, erfüllt er während seiner gesamten Lebensdauer jede Emissionsnorm.

Auch mit Vergasermodifikation nimmt die Motorleistung pro 300 m Höhenzunahme um etwa 3,5 % ab. Ohne Vergasermodifikation ist die Auswirkung der Höhenlage auf die Motorleistung noch größer.

ACHTUNG

Wenn der Vergaser für Betrieb in Höhenlagen modifiziert worden ist, wird bei Betrieb in niedrigeren Lagen ein zu mageres Gemisch aufbereitet. Betrieb mit einem modifizierten Vergaser in Höhenlagen unter 610 m kann zu Motorheißlauf und schweren Motorschäden führen. Für Gebrauch in niedrigeren Höhen lassen Sie den Vergaser von Ihrem Wartungshändler auf die ursprünglichen Werksspezifikationen zurückstellen.

Informationen zum Schadstoffbegrenzungssystem

Garantie für das Schadstoffbegrenzungssystem

Ihr neuer Honda erfüllt die Emissionsvorschriften sowohl der US-Umweltbehörde EPA als auch des US-Bundesstaats Kalifornien. American Honda bietet für in allen 50 Bundesstaaten vertriebenen Honda Power Equipment Motoren die gleichen Garantieleistungen für Emissionen. In allen Bereichen der Vereinigten Staaten ist Ihr Honda Power Equipment Motor so konzipiert, gebaut und ausgerüstet, dass er die Emissionsvorschriften für Motoren mit Fremdzündung sowohl der US-Umweltbehörde EPA als auch des California Air Resources Board erfüllt.

Garantieleistungen

CARB- und EPA-zertifizierte Honda Power Equipment Motoren sind durch diese Garantie vor Mängeln in Material und Verarbeitung geschützt, welche ein Einhalten der anwendbaren EPA- und CARB-Emissionsvorschriften verhindern würden, und zwar für einen Zeitraum von mindestens 2 Jahren bzw. die Dauer der *beschränkten Verteiler-Garantie für Honda Power Equipment* ab dem ursprünglichen Datum der Lieferung an den Endabnehmer, wobei der längere Zeitraum maßgebend ist. Diese Garantie ist für die Dauer der Garantiezeit auf jeden nachfolgenden Käufer übertragbar. Garantiereparaturen erfolgen ohne Kosten für Diagnose, Teile und Arbeit. Für Informationen darüber, wie ein Garantieanspruch eingereicht und geltend gemacht oder eine Dienstleistung erhalten werden kann, wenden Sie sich an Ihren autorisierten Händler für Honda Power Equipment oder folgendermaßen an American Honda:

E-Mail: powerequipmentemissions@ahm.honda.com
Telefon: (888) 888-3139

Abgedeckt sind alle diejenigen Komponenten, deren Ausfall die Emissionen geregelter Schadstoffe oder Verdunstungsemissionen des Motors erhöhen würden. Eine Liste der spezifischen Komponenten befindet sich in der separat mitgelieferten Emissions-Garantieerklärung. Spezifische Garantiebedingungen, Abdeckung, Einschränkungen und Art und Weise des Ersuchens von Garantieleistungen sind ebenfalls in der separat mitgelieferten Emissions-Garantieerklärung festgelegt. Die Emissions-Garantieerklärung ist außerdem auf der Honda Power Equipment Website oder unter folgendem Link vorzufinden:

<http://powerequipment.honda.com/support/warranty>

Emissionsursache

Durch den Verbrennungsprozess werden Kohlenmonoxid, Stickstoffoxide und Kohlenwasserstoffe erzeugt. Die Kontrolle von Kohlenwasserstoffen und Stickstoffoxiden ist besonders wichtig, da diese unter gewissen Bedingungen bei Sonnenbestrahlung Reaktionen eingehen und photochemischen Smog erzeugen. Kohlenmonoxid reagiert nicht auf gleiche Weise, ist jedoch giftig.

Zur Verminderung der Abgabe von Kohlenmonoxid, Stickstoffoxiden und Kohlenwasserstoffen verwendet Honda angemessene Kraftstoff-/Luftverhältnisse und andere Schadstoffbegrenzungssysteme. Außerdem reduzieren spezielle Bauteile und Steuerungstechnologien in Honda-Kraftstoffsystemen die Verdunstungsemissionen.

US, California Clean Air Act und Environment Canada

EPA-, kalifornische, und kanadische Vorschriften verlangen, dass alle Hersteller den Betrieb und die Wartung ihrer Schadstoffbegrenzungssysteme dokumentieren.

Die folgenden Anweisungen und Verfahren müssen eingehalten werden, um Emissionen Ihres Honda-Motors innerhalb der Emissionsnormen zu halten.

Unsachgemäße Eingriffe und Modifikationen

ACHTUNG

Unsachgemäße Eingriffe stellen eine Verletzung von Bundesgesetzen der USA und von Gesetzen Kaliforniens dar.

Unsachgemäße Eingriffe in und Veränderungen am Schadstoffbegrenzungssystem können dazu führen, dass die Schadstoffe über die gesetzlich zulässigen Grenzen ansteigen. Als unsachgemäße Eingriffe gelten unter anderem:

- Abnahme oder Änderung irgendeines Teils des Einlass-, Kraftstoff- und Auslasssystems.
- Änderung oder Außerkräftsetzung des Reglergestänges oder des Drehzahleinstellmechanismus, sodass der Motor außerhalb seiner Design-Parameter läuft.

Probleme, die sich auf Emissionen nachteilig auswirken können

Wenn Sie eines der folgenden Symptome feststellen, lassen Sie den Motor von Ihrem Wartungshändler inspizieren und reparieren.

- Startprobleme oder Abwürgen nach Start.
- Rauer Leerlauf.
- Fehlzündungen oder Nachbrenner unter Last.
- Nachbrenner (Rückzünden).
- Schwarzes Abgas oder hoher Kraftstoffverbrauch.

Austauschteile

Die Schadstoffbegrenzungssysteme Ihres neuen Honda-Motors wurden in Übereinstimmung mit den EPA-, kalifornischen und kanadischen Emissionsvorschriften konstruiert, gefertigt und zertifiziert. Bei jeder Wartungsarbeit sollten Honda Original-Ersatzteile verwendet werden, falls erforderlich. Diese Original-Austauschteile sind nach denselben Normen wie die ursprünglichen Teile gefertigt, so dass Sie auf deren Eignung und Leistung vertrauen können. Honda kann die Emissionsgarantieleistung nicht ausschließlich aufgrund der Benutzung von anderen als Honda-Ersatzteilen oder der Ausführung von Wartungsarbeiten an anderer Stelle als einem autorisierten Honda-Händler verweigern. Sie dürfen vergleichbare EPA-zertifizierte Teile verwenden und Wartungsarbeiten an anderen als Honda-Standorten vornehmen lassen. Durch den Gebrauch von Austauschteilen, die nicht dem ursprünglichen Design und der Qualität der Original-Austauschteile entsprechen, kann die Wirksamkeit des gesamten Schadstoffbegrenzungssystems jedoch gemindert werden.

Zubehörteile-Hersteller sind dafür verantwortlich, dass ihre Produkte die Schadstoffbegrenzung nicht negativ beeinflussen. Ein Hersteller oder Nachbauer eines Teils muss bescheinigen, dass der Gebrauch dieses Teils nicht zu einer Verletzung der Emissionsvorschriften führt.

Wartung

Als der Besitzer eines Power Equipment Motors sind Sie verantwortlich für die Umsetzung aller in der Bedienungsanleitung aufgeführten erforderlichen Wartungsarbeiten. Honda empfiehlt zwar, dass Sie alle Belege für an Ihrem Power Equipment Motor ausgeführte Wartungsarbeiten aufbewahren, kann die Garantieleistung jedoch nicht ausschließlich aufgrund fehlender Belege oder versäumter planmäßiger Wartungsarbeiten verweigern. Den WARTUNGSPLAN auf Seite 4 einhalten.

Dieser Plan beruht auf der Annahme, dass der Motor für den vorgesehenen Zweck eingesetzt wird. Fortgesetzter Betrieb unter hoher Last oder hohen Temperaturen bzw. in staubiger Umgebung erfordert häufigere Wartung.

Abscheidungsgrad

(Für Vertrieb in Kalifornien zertifizierte Modelle)

Motoren mit Zertifizierung für eine Emissionshaltbarkeitsdauer in Übereinstimmung mit den California Air Resources Board-Anforderungen sind mit einem Abscheidungsgrad-Informationsetikett versehen.

Anhand des Balkendiagramms können Sie die Emissionseigenschaften von Motoren vergleichen. Je niedriger der Abscheidungsgrad, desto geringer ist die Luftverschmutzung.

Die Haltbarkeitsangabe gibt Auskunft über die Zeitdauer, während der die Emissionseigenschaften des Motors gewährleistet sind.

Der beschreibende Begriff gibt die Nutzdauer für das Schadstoffbegrenzungssystem des Motors an. Weitere Informationen entnehmen Sie bitte der *Garantie für das Schadstoffbegrenzungssystem*.

Beschreibender Begriff	Betrifft Emissionshaltbarkeitsdauer
Mäßig	50 Stunden (0 bis einschließlich 80 cm ³) 125 Stunden (mehr als 80 cm ³)
Mittelmäßig	125 Stunden (0 bis einschließlich 80 cm ³) 250 Stunden (mehr als 80 cm ³)
Erweitert	300 Stunden (0 bis einschließlich 80 cm ³) 500 Stunden (mehr als 80 cm ³) 1.000 Stunden (225 cm ³ und mehr)

Der Anhänger/das Etikett mit den Abscheidungsgrad-Informationen muss am Motor bleiben, bis dieser verkauft wird. Das Anhängetikett vor dem Betrieb des Motors entfernen.

Technische Daten

GCV145

Modell	GCV145H
Gruppencode	GJAMH
Länge × Breite × Höhe	415 × 362 × 360,5 mm
Trockenmasse [Gewicht]	11,8 kg
Motortyp	Viertakt-Einzylindermotor mit hängenden Ventilen
Hubraum	145 cm ³
Bohrung × Hub	56,0 × 59,0 mm
Nettoleistung (gemäß SAE J1349*)	3,1 kW (4,2 PS) bei 3.600 min ⁻¹ (U/min)
Max. Nettodrehmoment (gemäß SAE J1349*)	9,1 N·m (0,93 kgf·m) bei 2.500 min ⁻¹ (U/min)
Motoröl-Füllmenge	0,40 L
Kraftstofftank-Fassungsvermögen	0,91 L
Kühlsystem	Gebläsekühlung
Zündanlage	Transistor-Magnetzündung
Zapfwelldrehung	Entgegen dem Uhrzeigersinn

GCV170

Modell	GCV170H
Gruppencode	GJANH
Länge × Breite × Höhe	415 × 362 × 360,5 mm
Trockenmasse [Gewicht]	11,8 kg
Motortyp	Viertakt-Einzylindermotor mit hängenden Ventilen
Hubraum	166 cm ³
Bohrung × Hub	60,0 × 59,0 mm
Nettoleistung (gemäß SAE J1349*)	3,6 kW (4,9 PS) bei 3.600 min ⁻¹ (U/min)
Max. Nettodrehmoment (gemäß SAE J1349*)	11,1 N·m (1,13 kgf·m) bei 2.500 min ⁻¹ (U/min)
Motoröl-Füllmenge	0,40 L
Kraftstofftank-Fassungsvermögen	0,91 L
Kühlsystem	Gebläsekühlung
Zündanlage	Transistor-Magnetzündung
Zapfwelldrehung	Entgegen dem Uhrzeigersinn

GCV200

Modell	GCV200H
Gruppencode	GJAPH
Länge × Breite × Höhe	415 × 362 × 360,5 mm
Trockenmasse [Gewicht]	11,8 kg
Motortyp	Viertakt-Einzylindermotor mit hängenden Ventilen
Hubraum	201 cm ³
Bohrung × Hub	66,0 × 59,0 mm
Nettoleistung (gemäß SAE J1349*)	4,2 kW (5,7 PS) bei 3.600 min ⁻¹ (U/min)
Max. Nettodrehmoment (gemäß SAE J1349*)	12,7 N·m (1,30 kgf·m) bei 2.500 min ⁻¹ (U/min)
Motoröl-Füllmenge	0,40 L
Kraftstofftank-Fassungsvermögen	0,91 L
Kühlsystem	Gebläsekühlung
Zündanlage	Transistor-Magnetzündung
Zapfwelldrehung	Entgegen dem Uhrzeigersinn

*Die Nennleistung des in diesem Dokument angegebenen Motors ist die Nettoleistung, die an einem Produktionsmotor für das Motormodell getestet und gemäß SAE J1349 bei 3.600 U/min (Nettoleistung) und bei 2.500 U/min (Max. Nettodrehmoment) gemessen wurde. Die Leistung von massenproduzierten Motoren kann von diesem Wert abweichen. Die tatsächliche Leistung des im Endprodukt eingebauten Motors hängt von zahlreichen Faktoren ab, u. a. von der Betriebsdrehzahl des Motors im Einsatz, den Umweltbedingungen, der Wartung und anderen Variablen.

Abstimmspezifikationen GCV145/170/200

GEGENSTAND	SPEZIFIKATION	WARTUNG
Elektrodenabstand	0,7–0,8 mm	Siehe Seite 6
Leerlaufdrehzahl	1 700±150 min ⁻¹ (U/min)	-
Ventilspiel (kalt)	EINLASS: 0,10±0,02 mm AUSLASS: 0,10±0,02 mm	Wenden Sie sich bitte an Ihren autorisierten Honda-Händler
Sonstige Spezifikationen	Weitere Einstellungen sind nicht erforderlich.	

Schnellverweisinformationen

Kraftstoff	Bleifreies Benzin (siehe Seite 4).	
	USA	Zapfsäulen-Oktananzahl 86 oder höher
	Außer USA	Research-Oktananzahl 91 oder höher Zapfsäulen-Oktananzahl 86 oder höher
Motoröl	SAE 10W-30, API SE oder höher, für allgemeinen Gebrauch. Siehe Seite 5.	
Zündkerze	BPR5ES (NGK)	
Wartung	Vor jedem Gebrauch:	
	<ul style="list-style-type: none"> Motorölstand kontrollieren. Siehe Seite 5. Luftfilter überprüfen. Siehe Seite 5. 	
	Erste 5 Stunden: Motoröl wechseln. Siehe Seite 5.	
	Nachfolgend: Siehe Wartungsplan auf Seite 4.	

ZUR BEACHTUNG:

Die technischen Daten sind möglicherweise je nach Ausführung unterschiedlich, und können ohne vorherige Ankündigung geändert werden.

VERBRAUCHERINFORMATION

Garantie und Händlerinformationen/Suchfunktion für Händler

Vereinigte Staaten, Puerto Rico und Amerikanische Jungferninseln:
Besuchen Sie unsere Website: www.honda-engines.com

Kanada:

Wählen Sie (888) 9HONDA9 oder besuchen Sie unsere Website:
www.honda.ca

Europa:

Besuchen Sie unsere Website: <http://www.honda-engines-eu.com>

Kundendienstinformation

Das Wartungshändlerpersonal besteht aus geschulten Fachkräften. Sie können kompetente Antworten auf alle Ihre Fragen erwarten. Falls Sie ein Problem haben, das bei Ihrem Händler nicht zufrieden stellend gelöst wird, diskutieren Sie es bitte mit dem Management des Betriebs. Der Wartungsmanager, Geschäftsführer oder Besitzer kann helfen. Fast alle Probleme können so gelöst werden.

Vereinigte Staaten, Puerto Rico und Amerikanische Jungferninseln:
Falls Sie mit der vom Management des Händlerbetriebs getroffenen Entscheidung nicht zufrieden sind, wenden Sie sich an Ihren Honda-Motorenhändler vor Ort.

Falls Sie nach dem Gespräch mit dem Motorenhändler vor Ort noch immer nicht zufrieden sind, können Sie sich wie unten angegeben an die Honda-Geschäftsstelle wenden.

Alle anderen Regionen:

Falls Sie mit der vom Management des Händlerbetriebs getroffenen Entscheidung nicht zufrieden sind, wenden Sie sich an die Honda-Geschäftsstelle, wie angegeben.

《Honda-Geschäftsstelle》

Wenn Sie schreiben oder anrufen, geben Sie bitte diese Informationen an:

- Name des Ausrüstungsherstellers und Modellnummer der Ausrüstung, an der der Motor montiert ist
- Motormodell, Seriennummer und Typ (siehe Seite 8)
- Name des Händlers, bei dem Sie den Motor gekauft haben
- Name, Adresse und Kontaktperson des Händlers, der Ihren Motor wartet
- Kaufdatum
- Ihr Name, Ihre Adresse und Ihre Telefonnummer
- Ausführliche Beschreibung des Problems

Vereinigte Staaten, Puerto Rico und Amerikanische Jungferninseln: American Honda Motor Co., Inc.

Power Equipment Division
Customer Relations Office
4900 Marconi Drive
Alpharetta, GA 30005-8847

Oder telefonisch: +1 (770) 497-6400, 8:30–19:00 Uhr Eastern Time (ET)

Kanada:

Honda Canada, Inc.

Besuchen Sie www.honda.ca.
Dort finden Sie die Adresse.

Telefon: (888) 9HONDA9 gebührenfrei
(888) 946-6329

Fax: (877) 939-0909 gebührenfrei

Europa:

Honda Motor Europe Logistics NV. European Engine Center

<http://www.honda-engines-eu.com>

Alle anderen Regionen:

Lassen Sie sich bitte vom in Ihrem Gebiet zuständigen Honda-Vertriebshändler beraten.

Internationale Garantie für Honda-Industriemotoren

Der in diesem Markenprodukt installierte Honda-Industriemotor ist unter den nachfolgend aufgeführten Voraussetzungen von der allgemeinen Honda-Motorgarantie abgedeckt.

- Die für Industriemotoren geltenden Garantiebestimmungen wurden von Honda für jedes Land festgelegt.
- Die Garantie gilt für Motordefekte, die durch einen Fabrikationsfehler oder inkorrekte Spezifikation verursacht wurden.
- Die Garantie gilt nicht in Ländern, in denen kein Honda-Großhändler vorhanden ist.

Vorgehensweise im Garantiefall:

Bringen Sie Ihren Honda-Industriemotor bzw. das Erstausrüster-Produkt, in dem dieser installiert ist, zusammen mit dem ursprünglichen Einzelhandel-Kaufnachweis mit Datumsangabe zu einem für den Vertrieb dieses Produkts in Ihrem Land autorisierten Honda-Händler bzw. zu dem Händler, bei dem Sie Ihr Produkt erworben haben. Um einen Honda-Großhändler/-Händler in Ihrer Nähe ausfindig zu machen oder die Garantiebedingungen für Ihr Land zu überprüfen, besuchen Sie unsere globale Service-Informations-Website <https://www.hpsv.com/ENG/> oder kontaktieren Sie einen Großhändler in Ihrem Land.

Ausschlüsse:

Diese Motor-Garantie schließt Folgendes aus:

- Schäden oder Beeinträchtigungen, die durch Folgendes verursacht wurden:
 - Vernachlässigung der regelmäßigen Wartung entsprechend den Angaben in der Bedienungsanleitung des Motors
 - Unsachgemäße Reparatur oder Wartung
 - Bedienungsweisen, die nicht den Angaben in der Bedienungsanleitung des Motors entsprechen
 - Schäden, die durch das Produkt, in dem der Motor installiert ist, verursacht wurden
 - Schäden infolge der Umstellung auf oder dem Einsatz von Kraftstoff, auf den der Motor ursprünglich nicht ausgelegt war und der den Angaben in der Bedienungsanleitung und/oder dem Garantieheft nicht entspricht
 - Einsatz von Nicht-Original-Honda-Bauteilen und -Zubehör, die nicht von Honda freigegeben wurden (empfohlene Schmiermittel und Betriebsflüssigkeiten ausgenommen) (Die Emissions-Garantie ist hiervon ausgeschlossen, es sei denn der Ausfall wurde durch den Einsatz eines Nicht-Original-Bauteils verursacht, das nicht mit dem entsprechenden Honda-Bauteil vergleichbar ist.)
 - Einwirkung von Ruß und Rauch, Chemikalien, Vogelkot, Meerwasser, Meeresluft, Salz oder anderer Umwelteinflüsse
 - Kollision, Kraftstoffverunreinigung oder -alterung, Vernachlässigung, unzulässiger Umbau oder Missbrauch
 - Natürlicher Verschleiß (natürliches Verblassen lackierter oder verchromter Oberflächen, Abblättern und andere natürliche Abnutzungen)
- Verschleißteile: Honda übernimmt keine Gewähr für den normalen Verschleiß von Bauteilen. Die unten aufgeführten Bauteile sind nicht durch die Garantie abgedeckt (außer wenn im Rahmen einer anderen Garantiereparatur notwendig):
 - Zündkerze, Kraftstofffilter, Luftfiltereinsatz, Kupplungsscheibe, Handstarterseil
 - Schmiermittel: Öl und Fett
- Reinigung, Einstellung und regelmäßige Wartungsarbeiten (Vergasereinigung und Motorölwechsel).
- Einsatz des Honda-Industriemotors in Rennen oder Wettbewerben.
- Motor, der in einem Produkt installiert ist, das schon einmal zum Totalverlust erklärt oder von einem Kreditinstitut bzw. Versicherer als Altmaterial verkauft worden ist.

Schild SERVICE & SUPPORT

Am Honda-Universalmotor kann ein Schild SERVICE & SUPPORT* angebracht sein.

Wenn Sie unsere Websites besuchen, nachdem Sie diesen zweidimensionalen Barcode (QR-Code) gescannt haben, erhalten Sie Informationen zum Service.

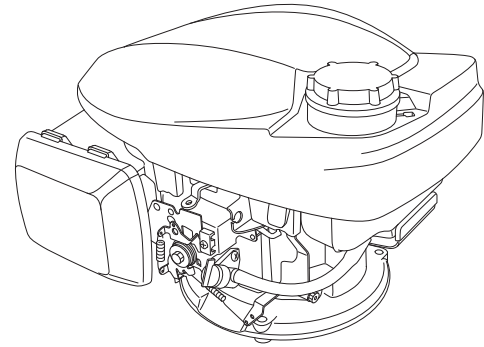
* Dieses Schild ist nicht auf allen Modellen angebracht.



https://www.hondappsv.com/ENG/QR/GCV145_170_200/

HONDA

MANUAL DEL PROPIETARIO GCV145 · GCV170 · GCV200

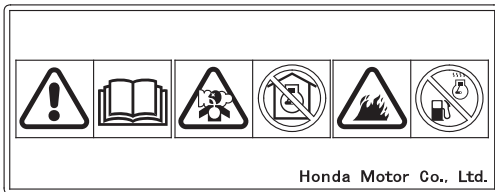


• Las ilustraciones pueden variar dependiendo del modelo.

⚠ ADVERTENCIA

El escape del motor de este producto contiene químicos que en el Estado de California se sabe que causan cáncer, defectos de nacimiento y otros daños reproductivos.

UBICACIÓN DE LAS ETIQUETAS DE SEGURIDAD / UBICACIONES DE LOS COMPONENTES Y CONTROLES



Lea el Manual del propietario antes de la operación.

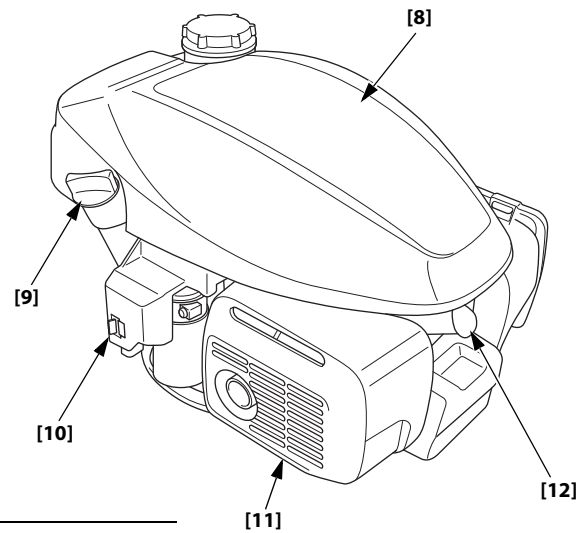
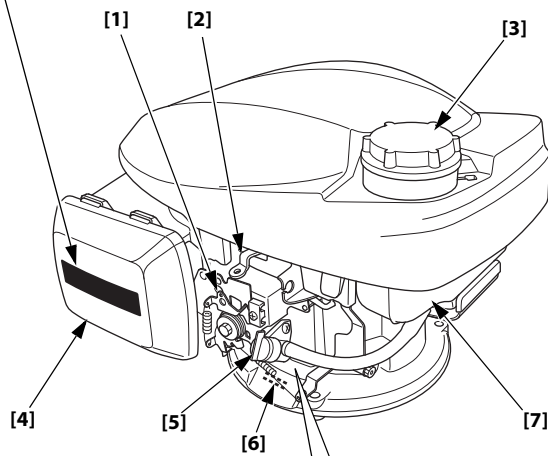


El motor emite gas monóxido de carbono que es tóxico y venenoso. No lo tenga en marcha en un lugar cerrado.

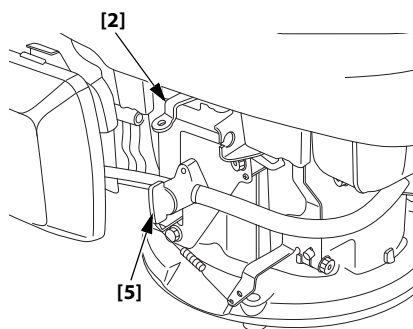


La gasolina es muy inflamable y explosiva. Pare el motor y espere a que se enfríe antes de repostar.

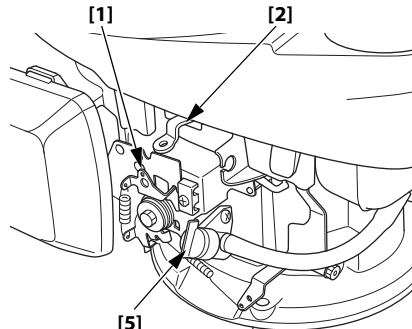
**Tipo de estrangulador manual
(Tipo sin PALANCA DEL ESTRANGULADOR)
(tipos aplicables)**



**Tipo estrangulador automático
(Tipo ACELERADOR FIJO)
(tipos aplicables)**



**Tipo estrangulador automático
(Tipo ACELERADOR MANUAL)
(tipos aplicables)**



- [1] PALANCA DE CONTROL (tipos aplicables)
- [2] PALANCA DEL FRENO DEL VOLANTE DE MOTOR (tipos aplicables)
- [3] TAPÓN DEL DEPÓSITO DE COMBUSTIBLE
- [4] FILTRO DE AIRE
- [5] PALANCA DE LA VÁLVULA DE COMBUSTIBLE
- [6] NÚMERO DE SERIE Y TIPO DE MOTOR
- [7] DEPÓSITO DE COMBUSTIBLE
- [8] CUBIERTA SUPERIOR
- [9] TAPA DEL ORIFICIO DE LLENADO DE ACEITE
- [10] PUERTO DE CARGA USB
- [11] SILENCIADOR
- [12] BUJÍA

ESPAÑOL

INTRODUCCIÓN

Muchas gracias por la adquisición de un motor Honda. Nos gustaría ayudarle a obtener los mejores resultados con su nuevo motor y a operarlo con seguridad. Este manual contiene información para ello; léalo detenidamente antes de poner en funcionamiento el motor. En el caso de producirse algún problema, o si tuviese alguna pregunta acerca de su motor, póngase en contacto con un concesionario de servicio.

Toda la información de esta publicación se basa en la información más reciente disponible en el momento de la impresión. Honda Motor Co., Ltd. se reserva el derecho a efectuar cambios en cualquier momento sin previo aviso y sin incurrir en ningún tipo de obligación. No se permite la reproducción de ninguna parte de esta publicación sin permiso por escrito.

Este manual debe considerarse como una parte permanente del motor y debe permanecer con el motor en caso de reventa.

Le aconsejamos que lea el contrato de garantía para que comprenda su alcance y sus responsabilidades de propiedad.


Revise las instrucciones suministradas con el equipo que funcionará con este motor para encontrar información adicional sobre la puesta en marcha del motor, parada, operación, ajustes o instrucciones especiales para el mantenimiento.

CONTENIDO

MENSAJES DE SEGURIDAD	1	SUGERENCIAS Y OBSERVACIONES DE UTILIDAD	7
INFORMACIÓN DE SEGURIDAD	1	ALMACENAJE DEL MOTOR	7
COMPROBACIONES PREVIAS A LA OPERACIÓN	2	TRANSPORTE	8
OPERACIÓN	2	CUIDADOS PARA PROBLEMAS INESPERADOS	8
PRECAUCIONES DE SEGURIDAD DURANTE LA OPERACIÓN	2	INFORMACIÓN TÉCNICA	8
ARRANQUE DEL MOTOR	2	INFORMACIÓN DEL CONSUMIDOR...11	
PARADA DEL MOTOR	3	Garantía e información para encontrar distribuidores/ concesionarios	11
SERVICIO DE SU MOTOR	4	Información de servicio para clientes	11
LA IMPORTANCIA DEL MANTENIMIENTO	4		
SEGURIDAD DEL MANTENIMIENTO	4		
PRECAUCIONES DE SEGURIDAD	4		
PROGRAMA DE MANTENIMIENTO	4		
PARA REPOSTAR	4		
ACEITE DE MOTOR	5		
FILTRO DE AIRE	5		
BUJÍA	6		
PARACHISPAS	6		
CARGA DE LA BATERÍA	6		

MENSAJES DE SEGURIDAD

Su seguridad y la seguridad de los demás son muy importantes. Hemos incluido mensajes de seguridad importantes en este manual y en el motor. Lea detenidamente estos mensajes.

Un mensaje de seguridad le avisa sobre los peligros potenciales que podrían causarle lesiones a usted y a los demás. Cada mensaje de seguridad viene precedido por un símbolo de alerta de seguridad  y una de las tres palabras, PELIGRO, ADVERTENCIA o ATENCION.

Estas palabras de indicación significan:

PELIGRO

MORIRÁ o sufrirá LESIONES GRAVES si no sigue las instrucciones.

ADVERTENCIA

PUEDE MORIR o sufrir LESIONES GRAVES si no sigue las instrucciones.

ATENCION

PUEDE resultar LESIONADO si no sigue las instrucciones.

Cada mensaje le explica en qué consiste el peligro, lo que puede suceder y lo que usted debe hacer para evitar lesiones o para reducirlas.

MENSAJES PARA PREVENCIÓN DE DAÑOS

Encontrará también otros mensajes importantes que vienen precedidos por la palabra AVISO.

Esta palabra significa:

AVISO

Pueden producirse daños en el motor u otros bienes si no sigue las instrucciones.

El propósito de estos mensajes es el de ayudar a evitar daños en el motor, otros bienes o el medio ambiente.

INFORMACIÓN DE SEGURIDAD

- Comprenda el funcionamiento de todos los controles y aprenda a parar con rapidez el motor en un caso de emergencia. Asegúrese de que el operador haya recibido una instrucción adecuada antes de operar el equipo.
- No permita que los niños operen el motor. Mantenga a los niños y animales apartados del lugar de operación.
- Los gases de escape del motor contienen monóxido de carbono que es venenoso. No ponga en marcha el motor si no hay una ventilación adecuada y no ponga nunca en marcha el motor en un lugar cerrado.
- El motor y el tubo de escape están muy calientes durante su funcionamiento. Durante su funcionamiento, mantenga el motor al menos a un metro de distancia de edificios y de otros equipos. Mantenga alejados los materiales inflamables y no coloque nada sobre el motor mientras esté en marcha.

Eliminación



Para proteger el medio ambiente, no desheche este producto, la batería, etc. descuidadamente arrojándolos a la basura.

Respete las leyes y normativas locales o consulte en un concesionario autorizado de su equipo (por ejemplo, una segadora de césped) sobre el procedimiento de eliminación.

UBICACIÓN DE LAS ETIQUETAS DE SEGURIDAD

Ver la página A-1.

Esta etiqueta le avisa sobre peligros potenciales que pueden ocasionar lesiones graves. Léala detenidamente.

Si la etiqueta se despegara o si resulta difícil de leer, solicite su reemplazo a su concesionario de servicio Honda.

UBICACIONES DE LOS COMPONENTES Y CONTROLES

Ver la página A-1.

COMPROBACIONES PREVIAS A LA OPERACIÓN

¿ESTÁ PREPARADO EL MOTOR PARA FUNCIONAR?

Por su propia seguridad, para asegurar el cumplimiento de las regulaciones medioambientales y para maximizar la vida de servicio de su equipo, es muy importante emplear un poco de tiempo para comprobar el estado del motor antes de ponerlo en funcionamiento. Antes de poner en marcha el motor, deberá asegurarse de haber solucionado cualquier problema encontrado, o de solicitar a su concesionario de servicio que lo solucione.

⚠ ADVERTENCIA

Si no se realiza un mantenimiento correcto de este motor, o si no se corrige un problema antes de la operación, se puede producir una avería importante.

Algunas fallas pueden causar lesiones graves y muerte.

Efectúe siempre la inspección previa a la operación antes de cada operación, y solucione los problemas encontrados.

Antes de comenzar las comprobaciones previas a la operación, asegúrese de que el motor esté nivelado sin funcionar.

Compruebe siempre los elementos siguientes antes de poner en marcha el motor:

Comprobación del estado general del motor

1. Mire en torno al motor y debajo del mismo para ver si hay indicios de fugas de aceite o de gasolina.
2. Retire cualquier suciedad o basura excesiva, en especial alrededor del silenciador y la cubierta superior.
3. Busque si hay indicios de daños.
4. Compruebe que todos los protectores y cubiertas estén en su lugar, y que todas las tuercas, pernos, y tornillos estén apretados.

Comprobación del motor

1. Compruebe el nivel de combustible (vea la página 4). Si comienza el trabajo con el depósito lleno, le ayudará a eliminar o reducir las interrupciones de la operación para repostar.
2. Compruebe el nivel del aceite de motor (vea la página 5). El motor puede dañarse si se utiliza con un nivel bajo de aceite.
3. Compruebe el elemento del filtro de aire (vea la página 5). Un elemento del filtro de aire sucio restringirá el flujo de aire al carburador, reduciendo el rendimiento del motor.
4. Compruebe el nivel de carga de la batería (vea la página 6).
5. Compruebe el equipo que funcionará con este motor.

Revise las instrucciones proporcionadas con el equipo que funcionará con este motor para ver si hay precauciones y procedimientos que deban seguirse antes de poner en marcha el motor.

OPERACIÓN

PRECAUCIONES DE SEGURIDAD DURANTE LA OPERACIÓN

Antes de poner en marcha el motor por primera vez, revise la sección **INFORMACIÓN DE SEGURIDAD** en la página 1 y **COMPROBACIONES PREVIAS A LA OPERACIÓN** en la página 2.

Riesgos de monóxido de carbono

Por su propia seguridad, no opere el motor en lugares cerrados como por ejemplo dentro de un garaje. Los gases de escape del motor contienen monóxido de carbono que es un gas que se acumula con rapidez en lugares cerrados y que causa malestar o incluso la muerte.

⚠ ADVERTENCIA

Los gases de escape contienen gas venenoso de monóxido de carbono que puede acumularse hasta niveles peligrosos en lugares cerrados.

Respirar monóxido de carbono puede causar la pérdida del conocimiento o la muerte.

Nunca opere el motor en un área cerrada o incluso parcialmente cerrada.

Revise las instrucciones proporcionadas con el equipo que funcionará con este motor para ver si hay precauciones de seguridad que deban observarse para poner en marcha, parar, u operar el motor.

No opere el motor en cuestas superiores a 15° (26%).

Uso de la batería

AVISO

El incumplimiento de las instrucciones siguientes puede provocar un cortocircuito, generación de calor, ignición, inyección de gases y fuga de líquidos.

- No desmonte ni modifique la batería.
- No someta el equipo a fuertes impactos, como caídas o la colocación de objetos pesado sobre el mismo.
- Si la batería cae al agua, no siga utilizando dicha batería.
- No retire la pegatina de la parte superior de la batería.

⚠ ATENCION

Si se produce algún problema, como olores, generación de calor, deformación y decoloración durante el uso, almacenamiento y carga de la batería, deje de usarla inmediatamente.

Si fugas de la batería entran en contacto con la piel o la ropa, enjuáguela con agua limpia.

Si fugas de la batería salpicarán en los ojos, enjuáguelos bien con agua limpia y busque atención médica inmediatamente sin frotarse los ojos. De no hacerlo, podría sufrir daños oculares.

ARRANQUE DEL MOTOR

No utilice el estrangulador si el motor está caliente o si la temperatura del aire es alta.

• Tipo estrangulador manual (tipos aplicables)

1. Gire la palanca de la válvula de combustible a la posición ENCENDIDO. Ver Figura 1, página A-2.
2. [Tipo sin PALANCA DEL ESTRANGULADOR] (tipos aplicables)
Mueva la palanca de control a la posición CERRADO (ESTRANGULADO). Ver Figura 2, página A-2.
3. Con tipo PALANCA DEL FRENO DEL VOLANTE DE MOTOR (tipos aplicables):
Mueva la palanca del freno de volante de motor a la posición LIBERADO. El interruptor del motor, que está enlazado con la palanca del freno de volante de motor, se enciende cuando se mueve la palanca del freno de volante de motor a la posición LIBERADO. Ver Figura 3, página A-2.
4. Acople la palanca de freno del equipo accionado por este motor. El indicador de batería se enciende o parpadea durante 5 segundos para indicar el estado de carga de la batería (vea la página 6) cuando se acopla la palanca de freno del equipo accionado por este motor.

- Sujetando la palanca de freno, pulse el botón de arranque del motor del equipo accionado por este motor.
El indicador de batería se apaga y arranca el motor.

AVISO

No arranque el motor cuando el equipo accionado por este motor tenga un funcionamiento limitado (por ejemplo, cuando una cuchilla de la segadora de césped esté bloqueada).

Si se intenta arrancar el motor en ese estado, la rotación del arrancador se detendrá automáticamente. El motor no podrá arrancar si el arrancador no gira.

Y si se intenta arrancar el motor sucesivamente, el indicador de batería no mostrará ninguna indicación y el motor no arrancará debido a la protección de la batería. Espere un poco e intente arrancar el motor de nuevo.

Si el motor no arranca en 3 segundos, el indicador de batería se enciende o parpadea de nuevo durante 5 segundos para indicar el estado de carga de la batería (vea la página 6).

Cuando se indique el estado de carga de la batería, vuelva a pulsar el botón de arranque del motor.

AVISO

Si el indicador de batería parpadea, la batería tiene poca carga. Se recomienda un tiempo de trabajo más prolongado para garantizar un nivel suficiente de carga de la batería mediante la autocarga.

Si el indicador de batería permanece apagado durante el procedimiento de arranque, cargue la batería con el cargador USB externo (vea la página 6).

AVISO

Si se arranca el motor al cabo de 1 mes de estar almacenado, pulse el botón de arranque del motor del equipo accionado por este motor para encender la batería y asegúrese de que el indicador de batería parpadea.

- [Tipo sin PALANCA DEL ESTRANGULADOR] (tipos aplicables)

Cuando el motor se caliente, mueva la palanca de control a la posición RÁPIDO o LENTO.

Ver Figura 4, página A-2.

- **Tipo estrangulador automático (tipos aplicables)**

- Gire la palanca de la válvula del combustible a la posición ENCENDIDO.
Ver Figura 1, página A-2.
- Con tipo PALANCA DEL FRENO DEL VOLANTE DE MOTOR (tipos aplicables):
Mueva la palanca del freno de volante de motor a la posición LIBERADO.
Ver Figura 3, página A-2.
- [Tipo ACELERADOR MANUAL] (tipos aplicables)
Mueva la palanca de control hacia la posición RÁPIDO.
Ver Figura 4, página A-2.
- Acople la palanca de freno del equipo accionado por este motor.
El indicador de batería se enciende o parpadea durante 5 segundos para indicar el estado de carga de la batería (vea la página 6) cuando se acopla la palanca de freno del equipo accionado por este motor.
- Sujetando la palanca de freno, pulse el botón de arranque del motor del equipo accionado por este motor.
El indicador de batería se apaga y arranca el motor.

AVISO

No arranque el motor cuando el equipo accionado por este motor tenga un funcionamiento limitado (por ejemplo, cuando una cuchilla de la segadora de césped esté bloqueada).

Si se intenta arrancar el motor en ese estado, la rotación del arrancador se detendrá automáticamente. El motor no podrá arrancar si el arrancador no gira.

Y si se intenta arrancar el motor sucesivamente, el indicador de batería no mostrará ninguna indicación y el motor no arrancará debido a la protección de la batería. Espere un poco e intente arrancar el motor de nuevo.

Si el motor no arranca en 3 segundos, el indicador de batería se enciende o parpadea de nuevo durante 5 segundos para indicar el estado de carga de la batería (vea la página 6).

Cuando se indique el estado de carga de la batería, vuelva a pulsar el botón de arranque del motor.

AVISO

Si el indicador de batería parpadea, la batería tiene poca carga. Se recomienda un tiempo de trabajo más prolongado para garantizar un nivel suficiente de carga de la batería mediante la autocarga.

Si el indicador de batería permanece apagado durante el procedimiento de arranque, cargue la batería con el cargador USB externo (vea la página 6).

AVISO

Si se arranca el motor al cabo de 1 mes de estar almacenado, pulse el botón de arranque del motor del equipo accionado por este motor para encender la batería y asegúrese de que el indicador de batería parpadea.

- [Tipo ACELERADOR MANUAL] (tipos aplicables)

Ajuste la palanca de control a la velocidad deseada del motor.

PARADA DEL MOTOR

- [Tipo ACELERADOR MANUAL] (tipos aplicables)

Mueva la palanca de control hacia la posición LENTO.
Ver Figura 4, página A-2.

- Con tipo PALANCA DEL FRENO DEL VOLANTE DE MOTOR (tipos aplicables):

Haga retornar la palanca del freno del volante de motor a la posición ACOPLADO. El interruptor del motor, que está enlazado con la palanca del freno del volante de motor, se apaga cuando se mueve la palanca del freno del volante de motor a la posición ACOPLADO.
Ver Figura 3, página A-2.

Tipo sin PALANCA DEL FRENO DEL VOLANTE DE MOTOR (tipos aplicables):

Mueva la palanca de control a la posición PARAR.
El interruptor del motor, que está enlazado con la palanca de control, se apaga cuando se mueve la palanca a la posición PARAR.
Ver Figura 5, página A-2.

- Gire la palanca de la válvula del combustible a la posición APAGADO.
Ver Figura 1, página A-2.

SERVICIO DE SU MOTOR

LA IMPORTANCIA DEL MANTENIMIENTO

El buen mantenimiento es esencial para conseguir una operación segura, económica y exenta de problemas. Ayudará también a reducir la contaminación.

⚠ ADVERTENCIA

Si no se realiza un mantenimiento correcto de este motor, o si no se corrige un problema antes de la operación, se puede producir una avería importante.

Algunas fallas pueden causar lesiones graves y muerte.

Siga siempre las recomendaciones de inspección y mantenimiento y los programas de este manual del propietario.

Para ayudarlo a cuidar adecuadamente el motor, las páginas siguientes incluyen un programa de mantenimiento, procedimientos de inspección rutinarios, y procedimientos de mantenimiento simples empleando herramientas manuales básicas. Las otras tareas de servicio que son más difíciles, o que requieren herramientas especiales, es mejor que sean realizadas por profesionales y normalmente las lleva a cabo un mecánico de Honda u otro mecánico cualificado.

El programa de mantenimiento se aplica a las condiciones normales de operación. Si opera el motor en condiciones severas, tales como con una carga elevada continua o a altas temperaturas, o si lo utiliza en condiciones con mucha humedad o polvo, consulte a su concesionario de servicio Honda para que le proporcione las recomendaciones aplicables a sus necesidades y aplicaciones individuales.

Emplee solamente partes originales Honda o sus equivalentes. El empleo de partes de reemplazo que no son de calidad equivalente puede causar daños en el motor.

El mantenimiento, reemplazo o reparación de los dispositivos y sistemas de control de emisiones puede ser realizado por cualquier establecimiento de reparación de motores o individuo que use refacciones "certificadas" según las normas de EPA.

SEGURIDAD DEL MANTENIMIENTO

A continuación se mencionan algunas de las precauciones de seguridad más importantes. No obstante, no podemos avisarle sobre todos los peligros concebibles que pueden surgir al realizar el mantenimiento. Sólo usted será quien pueda decidir si debe o no llevar a cabo una tarea dada.

⚠ ADVERTENCIA

El mantenimiento inadecuado puede provocar una falta de seguridad.

Si no se siguen correctamente las instrucciones y precauciones de mantenimiento, pueden presentarse lesiones graves o muerte.

Siga siempre con cuidado los procedimientos y precauciones de este manual del propietario.

PRECAUCIONES DE SEGURIDAD

- Asegúrese de que el motor esté desconectado antes de comenzar cualquier trabajo de mantenimiento o de reparación. Para evitar el arranque involuntario, desconecte la tapa de la bujía. De este modo eliminará muchos peligros potenciales:
 - Envenenamiento por monóxido de carbono de los gases de escape del motor.**
Opere en exteriores, lejos de ventanas o puertas abiertas.
 - Quemaduras en las partes calientes.**
Espere a que se enfríen el motor y el sistema de escape antes de tocarlos.
 - Daños debidos a las partes en movimiento.**
No ponga en marcha el motor a menos que se lo indiquen las instrucciones.
- Lea las instrucciones antes de empezar, y asegúrese de disponer de las herramientas y conocimientos necesarios.
- Para reducir la posibilidad de incendio o explosión, tenga cuidado cuando trabaje cerca de gasolina. Emplee sólo solventes inflamables, y no emplee gasolina, para limpiar las partes. Mantenga apartados los cigarrillos, las chispas y el fuego de las partes relacionadas con el combustible.

Recuerde que su concesionario de servicio autorizado Honda es quien mejor conoce su motor y que está completamente equipado para su mantenimiento y reparación.

Para asegurar la mejor calidad y fiabilidad, emplee sólo partes nuevas originales Honda o sus equivalentes para las reparaciones y reemplazos.

PROGRAMA DE MANTENIMIENTO

PERÍODO DE SERVICIO REGULAR (1)		Cada utilización	Primer mes o 5 horas	Cada 3 meses o 25 horas	Cada 6 meses o 50 horas	Cada año o 100 horas	150 horas	Cada 2 años o 250 horas	Consultar la página
ELEMENTO Efectúelo a cada intervalo indicado de meses o de horas de funcionamiento, lo que primero acontezca.									
Aceite de motor	Comprobar el nivel	o							5
	Cambiar		o		o (2)				5
Filtro de aire	Comprobar	o							5
	Limpiar			o (3)					5
	Reemplazar							o	5
Pastilla del freno del volante de motor (tipos aplicables)	Comprobar				o				6
Bujía	Comprobar-ajustar					o			6
	Reemplazar							o	6
Parachispas (tipos aplicables)	Limpiar					o (5)			Manual de taller
Velocidad de ralentí	Comprobar					o (4)			Manual de taller
Depósito y filtro de combustible	Limpiar					o (4)			Manual de taller
Holgura de válvulas	Comprobar-ajustar						o (4)		Manual de taller
Cámara de combustión	Limpiar	Después de cada 250 horas (4)							Manual de taller
Tubo de combustible	Comprobar	Cada 2 años (reemplazar si es necesario) (4)							Manual de taller

- Para aplicaciones comerciales, registre las horas de funcionamiento para determinar los intervalos apropiados para el mantenimiento.
- Cambie el aceite de motor cada 25 horas cuando utilice mucha carga o a altas temperaturas ambientales.
- Efectúe el servicio con más frecuencia cuando lo utilice en zonas polvorientas.
- El servicio de estos elementos deberá realizarlo su concesionario de servicio, a menos que usted disponga de las herramientas adecuadas y posea suficientes conocimientos mecánicos. Consulte el manual de taller Honda para ver los procedimientos de servicio.
- En Europa y en los otros países en los cuales se aplica la Directiva "maquinaria" 2006/42/CE, este servicio deberá realizarlo su concesionario de servicio.

Para efectuar el mantenimiento en la parte inferior del motor (máquina), gírelo 90° y apóyelo en el piso con el carburador/filtro de aire siempre arriba. Ver Figura 7, página A-3.

PARA REPOSTAR

Ver Figura 6, página A-3.

Combustible recomendado

Gasolina sin plomo		
EE.UU.	Valor de octanos de bomba de 86 o más alto	
Excepto EE.UU.	Valor de octanos de investigación de 91 o más alto	
EE.UU.	Valor de octanos de bomba de 86 o más alto	

Especificaciones de combustible necesarias para mantener el desempeño del sistema de control de emisiones: combustible E10 al que se hace referencia en el reglamento de la Unión Europea.

Este motor está homologado para funcionar con gasolina sin plomo con un valor de octanos de investigación de 91 o más alto (un valor de octanos de bomba de 86 o más alto).

Llene el depósito en un lugar bien ventilado con el motor parado. Si el motor ha estado funcionando, espere primero a que se enfríe. No reposte nunca el motor dentro de un edificio donde los gases de la gasolina pudieran llegar a llamas o chispas.

Podrá emplear gasolina sin plomo con un contenido máximo del 10% de etanol (E10) o del 5% de metanol por volumen. Adicionalmente, el metanol debe contener cosolventes e inhibidores contra la corrosión. El empleo de combustible con un contenido de etanol o de metanol mayor que el indicado arriba puede ocasionar problemas en el arranque y/o en el funcionamiento. También puede causar daños en las partes metálicas,

de goma, y de plástico del sistema de combustible. Los daños del motor o los problemas de funcionamiento debidos al empleo de un combustible con porcentajes de etanol o metanol mayores que los indicados arriba no están cubiertos por la Garantía.

▲ ADVERTENCIA

La gasolina es altamente inflamable y explosiva.

Al manipular combustible, puede quemarse o lesionarse gravemente.

- Detenga el motor y permita que se enfríe antes de manipular combustible.
- Mantenga alejado del calor, las chispas y las llamas.
- Maneje el combustible únicamente en exteriores.
- Mantenga alejado de su vehículo.
- Limpie los derrames inmediatamente con un paño.

AVISO

El combustible puede dañar la pintura y algunos tipos de plástico. Tenga cuidado de no derramar combustible cuando llene el depósito. La garantía no cubre daños causados por el derrame de combustible.

No utilice nunca gasolina en mal estado, contaminada o mezclada con aceite. Evite la entrada de suciedad o agua en el depósito de combustible.

Consulte el manual de instrucciones suministrado con el equipo que funcionará con este motor para ver la información sobre el relleno de combustible.

1. Con el motor parado y sobre una superficie nivelada, extraiga la tapa del depósito de combustible y compruebe el nivel del combustible. Llene el depósito si el nivel de combustible es bajo.
2. Añada combustible hasta el nivel superior del depósito de combustible. Limpie el combustible que se haya derramado antes de arrancar el motor.
3. Reposte con cuidado para que no se derrame combustible. No llene excesivamente el depósito de combustible (no debe haber combustible en el cuello de relleno de combustible). Es posible que sea necesario reducir el nivel del combustible dependiendo de las condiciones de operación. Después de repostar, apriete la tapa del depósito de combustible con seguridad.

Mantenga la gasolina apartada de las luces piloto de los aparatos, parrillas, aparatos eléctricos, herramientas eléctricas, etc.

El combustible derramado no sólo le hará correr el peligro de incendio, sino que además causa daños en el medio ambiente. Limpie inmediatamente el líquido derramado.

ACEITE DE MOTOR

El aceite es un factor muy importante que afecta el rendimiento y la vida de servicio.

Emplee aceite detergente para automóviles de 4 tiempos.

Aceite recomendado

Ver Figura 9, página A-3.

Emplee aceite de motor de 4 tiempos que cumpla o exceda los requisitos para la categoría de servicio API SE o posterior (o equivalente). Compruebe siempre la etiqueta de servicio API del recipiente de aceite para asegurarse que incluye las letras SE o posterior (o equivalente).

Especificaciones de aceite de lubricación necesarias para mantener el desempeño del sistema de control de emisiones: aceite genuino Honda.

Se recomienda el SAE 10W-30 para aplicaciones generales. Las otras viscosidades mostradas en la gráfica pueden utilizarse cuando la temperatura media de su zona está dentro del margen indicado.

Comprobación del nivel de aceite

Ver Figura 8, página A-3.

1. Extraiga la tapa de relleno/varilla de medición del nivel de aceite y límpiela.
2. Inserte la varilla indicadora en el cuello de relleno de aceite, pero no la enrosque.
3. Si el nivel estuviese bajo, añada el aceite recomendado hasta que su nivel alcance el límite superior de la varilla de nivel de aceite.

4. Instale la tapa de relleno/varilla de medición del nivel de aceite.

AVISO

El funcionamiento del motor con un nivel de aceite bajo puede causar daños en el motor. La garantía no cubre este tipo de daños.

Cambio del aceite

Ver Figura 8, página A-3 y Figura 10, página A-3.

Drene el aceite usado cuando el motor esté caliente. El aceite caliente se drena con más rapidez y por completo.

1. Gire la palanca de la válvula del combustible a la posición APAGADO. Ver Figura 1, página A-2.
2. Extraiga la tapa de relleno de aceite y drene el aceite en el recipiente inclinando el motor hacia el cuello de relleno de aceite.
3. Añada el aceite recomendado y compruebe el nivel del aceite.

AVISO

El motor puede dañarse si se utiliza con un nivel bajo de aceite. Este tipo de daños no está cubierto por la garantía.

Capacidad del aceite del motor: 0,40 L

4. Instale con seguridad la tapa de relleno/varilla de medición del nivel de aceite.

Lávese las manos con agua y jabón después de haber manipulado aceite usado.

AVISO

Tire el aceite de motor usado de manera que sea compatible con el medio ambiente. Le aconsejamos que lo lleve en un recipiente cerrado a la gasolinera de su localidad para que se encarguen de su eliminación. No lo tire a la basura, no lo derrame al suelo, ni lo vierta por una alcantarilla.

FILTRO DE AIRE

Un filtro de aire sucio restringirá el flujo de aire al carburador, reduciendo el rendimiento del motor. Si utiliza el motor en lugares muy polvorientos, limpie el filtro de aire con mayor frecuencia que la que se especifica en el PROGRAMA DE MANTENIMIENTO (vea la página 4).

AVISO

Al utilizar el motor sin filtro de aire, o con un filtro de aire dañado, entrará polvo en éste, lo que causará un desgaste rápido del motor. La garantía no cubre este tipo de daños.

Inspección

Extraiga la cubierta del filtro de aire e inspeccione el elemento del filtro. Limpie o reemplace el elemento sucio del filtro. Reemplace siempre el elemento del filtro si está dañado.

Limpieza

Ver Figura 12, página A-4.

1. Extraiga la cubierta del filtro de aire desenganchando las dos lengüetas superiores de la parte superior de la cubierta del filtro de aire y las dos lengüetas inferiores.
2. Extraiga el elemento. Revise con cuidado el elemento para ver si tiene agujeros o roturas y reemplácelo si está dañado.
3. Golpee con suavidad el elemento ligeramente varias veces sobre una superficie dura para remover el exceso de suciedad o para soplar aire comprimido a 29 psi (200 kPa) a través del filtro desde el interior hacia afuera. Nunca trate de usar un cepillo para quitar la suciedad; cepillar hará que la suciedad se introduzca en las fibras. Reemplace el elemento si está excesivamente sucio.
4. Limpie la suciedad desde el interior de la cubierta del filtro de aire y la cubierta empleando un paño humedecido. Tenga cuidado para evitar que la suciedad se introduzca en el conducto de aire que va al carburador.
5. Instale el elemento y la cubierta del filtro de aire.

Inspección de FRENO DE VOLANTE (tipos aplicables)

Revise el espacio libre de la palanca del freno de volante. Si es menos de 2 mm, lleve el motor a un concesionario Honda autorizado.
Ver Figura 11, página A-3.

BUJÍA

Ver Figura 13, página A-4.

Bujía recomendada: BPR5ES (NGK)

La bujía recomendada tiene el margen térmico correcto para las temperaturas normales de operación del motor.

AVISO

Una bujía incorrecta puede causar daños en el motor.

Si el motor ha estado funcionando, espere a que se enfríe antes de realizar el servicio de la bujía.

Para obtener un buen rendimiento, las bujías deben tener el huelgo correcto y no deberá haber carbonilla acumulada.

1. Desconecte la tapa de la bujía, y elimine la suciedad que pudiera haber en torno al área de la bujía.
2. Extraiga la bujía con la llave para bujías.
3. Inspeccione visualmente la bujía. Descarte la bujía si tiene desgaste aparente o si el aislador está partido o rajado. Limpie la bujía con un cepillo de alambre si se debe volver a utilizar.
4. Mida el huelgo de los electrodos de la bujía con un calibre de espesores. Corrija como sea necesario doblando el electrodo lateral.

El huelgo deberá ser:

0,7–0,8 mm

5. Compruebe que las arandelas de las bujías se encuentren en buenas condiciones, y enrosque las bujías a mano para evitar un enrosque cruzado.
6. Después de haberse asentado la bujía, apriétela con la llave de bujías para comprimir la arandela.

Cuando instale una bujía nueva, apriétela 1/2 vuelta después de haberse asentado la bujía para comprimir la arandela.

Al reinstalar una bujía usada, apriete 1/8 a 1/4 de vuelta después de los asentamientos de la bujía para comprimir la arandela.

PAR DE TORSIÓN: 20 N·m (2,0 kgf·m, 15 lbf·ft)

AVISO

Una bujía floja puede causar sobrecalentamiento y daños en el motor. El apriete excesivo de la bujía puede dañar las roscas de la culata de cilindros.

7. Instale la tapa de la bujía en la bujía.

PARACHISPAS (tipos aplicables)

En algunas áreas, es ilegal operar un motor sin un parachispas. Verifique las leyes y regulaciones locales. Los concesionarios de servicio autorizados Honda tienen disponibles parachispas.

El servicio del parachispas debe realizarse cada 100 horas para que pueda seguir funcionando como ha sido diseñado.

Si el motor había estado en marcha, el silenciador estará caliente. Deje que se enfríe antes de realizar el servicio del parachispas.

Extracción del parachispas

Ver Figura 14, página A-4, Figura 15, página A-4 y Figura 16, página A-5.

1. Quite el tornillo y la tuerca de resorte.
2. Quite la tapa del tanque de combustible.

3. Quite la cubierta superior desenganchando las cuatro pestañas de la cubierta superior.
4. Extraiga el protector del silenciador extrayendo los tres pernos de 6 mm.
5. Extraiga el parachispas del silenciador extrayendo el tornillo. (Teniendo cuidado para no dañar la malla metálica).

Inspección y limpieza del parachispas

Ver Figura 14, página A-4, Figura 15, página A-4 y Figura 16, página A-5.

Compruebe si hay acumulaciones de carbonilla en torno al orificio de escape y parachispas, y límpielos si es necesario.

1. Emplee un cepillo para sacar la carbonilla acumulada en la rejilla del parachispas. Tenga cuidado para no dañar la rejilla. Reemplace el parachispas si está dañado o agujereado.
2. Instale el amortiguador de chispas, silenciador, cubierta superior y tapa del tanque de combustible en el orden inverso de desensamble.

⚠ ATENCION

No opere el motor cuando se haya quitado la cubierta superior.

Puede sufrir lesiones debido a las partes giratorias o quemaduras por el silenciador.

CARGA DE LA BATERÍA**Comprobar el estado de carga de la batería**

El indicador de batería indica el estado de carga de la batería. Acople la palanca de freno del equipo accionado por este motor para comprobar el nivel de carga.

- ○ (Encendido): La batería tiene la suficiente carga.
- ⦿ (Parpadea): El nivel de la batería es bajo.
- ● (Apagado): La batería está casi agotada.

Ver Figura 18, página A-5.

Carga

El paquete incluye un cargador USB externo para casos de emergencia. Para realizar una carga, conecte el cargador USB externo al puerto de carga USB.

El conector del cargador USB externo puede utilizarse para los tipos C o BF cambiando los conectores.

Ver Figura 18, página A-5.

AVISO

Al realizar una carga, tenga en cuenta los puntos siguientes.

- No utilice el equipo en lugares donde el polvo pueda penetrar fácilmente en el puerto de carga.
- Pare el motor antes de conectar el cargador USB externo al puerto USB.
- Evite que se moje el puerto de carga USB y el cargador USB externo.

1. Retire el tapón de goma del puerto de carga y conecte el cargador USB externo a una toma de corriente.
Toma de corriente eléctrica de 100–240 V CA: tipo C o tipo BF
2. Conecte el terminal USB del cargador USB externo al puerto de carga USB.
3. El indicador de batería empieza a parpadear y comienza la carga. Cuando el indicador de batería permanece encendido, la batería está completamente cargada.
4. Una vez completada la carga, desconecte el cargador USB externo del motor y de la toma de corriente.

5. Coloque el tapón de goma en el puerto de carga USB.

AVISO

- Cuando termine la carga, coloque el tapón de goma de forma segura en el puerto de carga USB. Si no se coloca el tapón de goma, el puerto de carga USB podría oxidarse e impedir que se puedan realizar cargas.
- Antes de arrancar el motor, asegúrese de desconectar el cargador USB externo del motor.
Se puede utilizar un cargador disponible en el mercado (como por ejemplo una batería portátil para cargar smartphones) distinto del cargador USB externo que se incluye en el paquete. La garantía cubre:
 - Tipo: USB micro B
 - Estándar: USB BC1.2
 - Producto con certificación CE

SUGERENCIAS Y OBSERVACIONES DE UTILIDAD

ALMACENAJE DEL MOTOR

Preparativos para el almacenaje

Los preparativos adecuados para el almacenaje son esenciales para mantener el motor exento de problemas y con buena apariencia exterior. Los pasos siguientes ayudarán a evitar que la oxidación y la corrosión afecten el funcionamiento y el aspecto exterior del motor, y facilitarán el arranque del motor cuando lo vuelva a utilizar.

Limpieza

Si el motor ha estado en marcha, espere a que se enfríe por lo menos media hora antes de efectuar la limpieza. Limpie todas las superficies exteriores, retoque cualquier parte dañada con pintura, y recubra las otras partes que puedan oxidarse con una capa fina de aceite.

AVISO

Si se emplea una manguera de jardín o un equipo de lavado a presión, el agua puede ingresar a la fuerza al interior del filtro de aire o a la abertura del silenciador. El agua dentro del filtro de aire mojará el filtro de aire, y el agua que pasa por el filtro de aire o el silenciador puede introducirse en el cilindro y ocasionar daños.

Combustible

AVISO

Dependiendo de la zona donde se proponga utilizar el equipo, las fórmulas del combustible pueden deteriorarse y oxidarse con rapidez. El deterioro y la oxidación del combustible pueden producirse en tan sólo 30 días y pueden causar daños en el carburador y/o en el sistema de combustible. Consulte las recomendaciones sobre el almacenaje local solicitando asistencia a su concesionario de servicio.

La gasolina se oxida y deteriora durante el almacenaje. La gasolina deteriorada dificulta el arranque, y deja acumulaciones de suciedad que obstruyen el sistema de combustible. Si se deteriora la gasolina del motor durante el almacenaje, es posible que tenga que solicitar el servicio o el reemplazo del carburador y de otros componentes del sistema de combustible.

El periodo de tiempo en el que la gasolina puede permanecer en el depósito de combustible y carburador sin causar problemas funcionales dependerá de diversos factores, como la mezcla de gasolina, la temperatura de almacenamiento y si el depósito de combustible está parcial o completamente lleno. El aire dentro de un depósito de combustible parcialmente lleno promueve el deterioro del combustible. Las temperaturas de almacenamiento muy cálidas aceleran el deterioro del combustible. Los problemas de deterioro del combustible pueden producirse a los 30 días de haber introducido el combustible en el depósito, o incluso antes si la gasolina no estaba limpia al llenar el depósito.

La garantía no cubre los daños al sistema del combustible ni los problemas de funcionamiento debidos a una preparación de almacenaje inadecuada.

Drenaje del depósito de combustible y del carburador

Ver Figura 17, página A-5.

⚠ ADVERTENCIA

La gasolina es altamente inflamable y explosiva.

Al manipular combustible, puede quemarse o lesionarse gravemente.

- Detenga el motor y permita que se enfríe antes de manipular combustible.
- Mantenga alejado del calor, las chispas y las llamas.
- Maneje el combustible únicamente en exteriores.
- Mantenga alejado de su vehículo.
- Limpie los derrames inmediatamente con un paño.

1. Drene el depósito de combustible y el carburador en un recipiente homologado para gasolina.
2. Gire la palanca de la válvula de combustible a la posición ENCENDIDO y afloje el perno de drenaje del carburador girándolo 1 o 2 vueltas hacia la izquierda.
3. Después de drenar todo el combustible, apriete con seguridad el tornillo de drenaje del carburador y gire la palanca de la válvula de combustible a la posición APAGADO.
4. Si no puede drenar del carburador, drene el depósito de combustible en un recipiente homologado para gasolina empleando una bomba manual disponible comercialmente. No emplee una bomba eléctrica. Opere el motor hasta que se pare por falta de combustible.

Aceite de motor

1. Cambie el aceite de motor (vea la página 5).
2. Extraiga la bujía (vea la página 6).
3. Vierta una cucharilla de 5–10 cm³ de aceite de motor limpio en el cilindro.
4. Accione el arrancador varias veces.
5. Vuelva a instalar la bujía.
6. Recubra con una capa fina de aceite las partes que pueden oxidarse. Cubra el motor para protegerlo contra el polvo.

Precauciones para el almacenaje

Si el motor debe almacenarse con gasolina en el depósito de combustible y en el carburador, es importante reducir el peligro de que se enciendan los gases de la gasolina. Seleccione un lugar de almacenaje bien ventilado apartado de todos los aparatos que funcionen con llamas, como pueden ser los hornos, calentadores de agua o secadoras para la ropa. Evite también los lugares con motores eléctricos que produzcan chispas o donde se utilicen herramientas eléctricas.

El uso inadecuado de la batería durante el almacenamiento del motor podría dar lugar a un deterioro en el rendimiento y vida útil de la batería.

Se recomienda guardar el motor en un rango de temperatura de 5 a 40 °C.

Evite zonas de almacenamiento con altas temperaturas por encima de los 40 °C y con una humedad elevada, así como entornos sometidos a cambios bruscos de temperatura. Mantenga el equipo alejado de la luz directa del sol, la lluvia o el rocío.

Las zonas de almacenamiento con humedad elevada pueden favorecer la aparición de óxido y corrosión en el motor. Asimismo, el almacenamiento a altas temperaturas puede acortar la vida útil de la batería.

Mantenga el motor nivelado durante el almacenaje. La inclinación podría ocasionar fugas de combustible o de aceite.

Cuando el motor y el sistema de escape estén fríos, cubra el motor para protegerlo contra el polvo. Si el motor y el sistema de escape están calientes pueden hacer que se enciendan o derritan algunos materiales. No emplee una lámina de plástico como cubierta contra el polvo. Una cubierta que no sea porosa no dejará escapar la humedad en torno al motor, acelerando la oxidación y la corrosión.

Cuando vaya a guardar el motor, hágalo con la palanca de freno del equipo accionado por este motor desbloqueada.

Si va a guardar el motor durante más de 1 mes, se recomienda hacerlo después de cargarlo hasta que se encienda el indicador de batería.

Retiro del almacenaje

Compruebe el motor como se describe en la sección de *COMPROBACIONES PREVIAS A LA OPERACIÓN* de este manual (vea la página 2).

Si se había drenado el combustible durante los preparativos para el almacenaje, llene el depósito con gasolina nueva. Si conserva un recipiente de gasolina para repostar, asegúrese de que sólo contenga gasolina nueva. La gasolina se oxida y deteriora con el tiempo, dificultando el arranque.

Si se había recubierto el cilindro con aceite durante los preparativos para el almacenaje, el motor produce un poco de humo al principio. Esto es normal.

TRANSPORTE

Si el motor ha estado en marcha, espere como mínimo 15 minutos a que se enfríe antes de cargar el equipo motorizado en el vehículo de transporte. Si el motor y el sistema de escape están calientes pueden causar quemaduras y hacer que se enciendan algunos materiales.

Mantenga el nivel del motor constante durante el transporte para evitar pérdidas de combustible. Gire la válvula para combustible a la posición APAGADO.

Ver Figura 1, página A-2.

CUIDADOS PARA PROBLEMAS INESPERADOS**NO ARRANCA EL MOTOR**

Causa posible	Corrección
Válvula del combustible en APAGADO.	Mueva la palanca a la posición ENCENDIDO.
Estrangulador abierto (tipos aplicables).	Mueva la palanca a la posición CERRADO a menos que el motor esté caliente.
La palanca de control no está en la posición apropiada (tipos aplicables).	Mueva la palanca a la posición apropiada.
Palanca del freno del volante de motor en posición ACOPLADO (tipos aplicables).	Mueva la palanca a la posición LIBERADO.
No hay combustible.	Reposte (p. 4).
Combustible inadecuado; motor guardado sin tratar o drenar la gasolina, o llenado con gasolina inadecuada.	Drene el depósito de combustible y el carburador (p. 7). Reposte con gasolina nueva (p. 4).
Bujía defectuosa, sucia o con un huelgo incorrecto.	Ajuste el huelgo o reemplace la bujía (p. 6).
Bujía mojada de combustible (motor anegado).	Seque y vuelva a instalar la bujía.
Filtro de combustible restringido, mal funcionamiento del carburador, mal funcionamiento del encendido, válvulas agarrotadas, etc.	Lleve el motor a su concesionario de servicio o consulte el manual de taller.

LE FALTA POTENCIA AL MOTOR

Causa posible	Corrección
Elemento del filtro restringido.	Limpie o reemplace el elemento del filtro (p. 5).
Combustible inadecuado; motor guardado sin tratar o drenar la gasolina, o llenado con gasolina inadecuada.	Drene el depósito de combustible y el carburador (p. 7). Reposte con gasolina nueva (p. 4).
Filtro de combustible restringido, mal funcionamiento del carburador, mal funcionamiento del encendido, válvulas agarrotadas, etc.	Lleve el motor a su concesionario de servicio o consulte el manual de taller.

EL ARRANCADOR NO FUNCIONA

Causa posible	Corrección
Voltaje insuficiente en la batería.	Cargue la batería si el indicador de batería no se enciende o no parpadea, aunque la palanca de freno del equipo accionado por este motor esté acoplada (p. 2).
Mazo de cables, arrancador o batería defectuoso.	Lleve el motor a su concesionario de servicio o consulte el manual de taller.

LA BATERÍA NO SE PUEDE CARGAR POR MEDIOS EXTERNOS

Causa posible	Corrección
Fallo de conexión.	Compruebe si la conexión está bien.
Cargador externo defectuoso.	Lleve el cargador externo a su concesionario de servicio o consulte el manual de taller.
Mazo de cables, batería o indicador de batería defectuoso.	Lleve el motor a su concesionario de servicio o consulte el manual de taller.

INFORMACIÓN TÉCNICA**Ubicación del número de serie**

Ver la página A-1.

Anote el número de serie del motor en el espacio siguiente. Necesitará esta información cuando realice pedidos de partes y consultas técnicas o sobre la garantía.

Número de serie del motor: _____ — _____

Tipo de motor: _____

Fecha de adquisición: ____ / ____ / ____

Modificaciones del carburador para funcionar a gran altitud

A grandes altitudes, la mezcla normal de aire-combustible del carburador será demasiado rica. El rendimiento disminuirá, y aumentará el consumo de combustible. Si la mezcla es demasiado rica, ensuciará también la bujía y puede dificultar el arranque. El funcionamiento a una altitud distinta de la certificada para este motor, durante períodos prolongados de tiempo, puede ocasionar un incremento en las emisiones de escape.

El rendimiento a grandes altitudes podrá mejorar mediante modificaciones específicas en el carburador. Si siempre opera el motor a altitudes de más de 610 metros, solicite a su concesionario de servicio que efectúe esta modificación del carburador. Este motor conformará cada una de las normas sobre las emisiones de escape durante toda su vida de servicio cuando se opere a gran altitud con las modificaciones del carburador para funcionar a grandes altitudes.

Incluso con la modificación del carburador, la potencia del motor se reducirá aproximadamente el 3,5 % por cada 300 m de incremento de la altitud. El efecto de la altitud en la potencia será mayor si no se han efectuado las modificaciones en el carburador.

AVISO

Cuando se haya modificado el carburador para funcionar a gran altitud, la mezcla de aire-combustible será demasiado pobre para funcionar a bajas altitudes. El funcionamiento a altitudes de menos de 610 metros con el carburador modificado puede causar sobrecalentamiento del motor y ocasionar serios daños en el motor. Para el funcionamiento a bajas altitudes, solicite a su concesionario de servicio que reajuste el carburador a las especificaciones originales de fábrica.

Información del sistema de control de las emisiones de escape

Garantía del sistema de control de las emisiones de escape

Su nuevo motor Honda cumple las regulaciones de las emisiones de escape de EPA de EE. UU. y del Estado de California. American Honda proporciona la misma cobertura de la garantía sobre emisiones para motores de equipos motorizados Honda vendidos en los 50 estados. En todas las zonas de Estados Unidos, su motor de equipos motorizados Honda se ha diseñado, fabricado y equipado para cumplir la norma sobre las emisiones de escape de EPA de EE. UU. y del Consejo de recursos de aire de California para motores de encendido por chispa.

Cobertura de la garantía

Esta garantía cubre los motores de equipos motorizados Honda con certificación de las regulaciones CARB y EPA que se suministran libres de defectos en materiales y mano de obra, lo que puede evitar que cumplan los requisitos sobre emisiones de escape de EPA y CARB aplicables durante un mínimo de 2 años o la duración de la *Garantía limitada del distribuidor de equipos motorizados Honda* (el periodo que sea más extenso), desde la fecha original de entrega al comprador minorista. Esta garantía es transferible a cada comprador posterior durante la duración del periodo de la garantía. Las reparaciones en garantía se realizarán sin coste para diagnósticos, piezas y mano de obra. Para obtener información sobre cómo hacer una reclamación de garantía, así como una descripción de cómo se puede realizar una reclamación y/o cómo se proporciona el servicio, póngase en contacto con un distribuidor de equipos motorizados Honda autorizado o con American Honda en:

Correo electrónico: powerequipmentemissions@ahm.honda.com

Teléfono: (888) 888-3139

Los componentes cubiertos incluyen todos los componentes cuyo fallo pueda aumentar las emisiones evaporativas o de contaminantes regulados de un motor. Puede ver una lista de componentes específicos en la declaración de la garantía sobre emisiones que se incluye por separado. Las condiciones específicas de la garantía, cobertura, limitaciones y forma de solicitar el servicio de garantía también se establecen en la declaración de la garantía sobre emisiones que se incluye por separado. Además, la declaración de la garantía sobre emisiones también se puede consultar en el sitio web de equipos motorizados Honda o en el enlace siguiente:

<http://powerequipment.honda.com/support/warranty>

Origen de las emisiones de escape

El proceso de combustión produce monóxido de carbono, óxidos de nitrógeno, e hidrocarburos. El control de los hidrocarburos y de los óxidos de nitrógeno es muy importante porque, bajo ciertas condiciones, reaccionan para formar humo fotoquímico cuando se exponen a la luz solar. El monóxido de carbono no reacciona del mismo modo, pero es tóxico.

Honda utiliza relaciones de aire/combustible adecuadas y otros sistemas para reducir las emisiones de monóxido de carbono, de óxidos de nitrógeno, y de hidrocarburos.

Además, los sistemas de combustible Honda utilizan componentes y tecnologías de control para reducir las emisiones por evaporación.

Acta sobre el aire limpio de California, EE.UU., y sobre el medio ambiente de Canadá

Las regulaciones de EPA, de California, y Canadá estipulan que todos los fabricantes deben proporcionar instrucciones escritas que describan la operación y el mantenimiento de los sistemas de control de las emisiones de escape.

Deberán seguirse las instrucciones y procedimientos siguientes para mantener las emisiones de escape del motor Honda dentro de lo estipulado por las normas sobre las emisiones de escape.

Manipulación indebida y alteraciones

AVISO

La modificación es una violación de la ley federal y de California.

La manipulación indebida o las alteraciones del sistema de control de las emisiones de escape pueden incrementar las emisiones hasta sobrepasar el límite legal. Entre los actos que constituyen manipulación indebida se encuentran:

- Extracción o alternación de cualquier parte de los sistemas de admisión, combustible, o escape.
- Alternación o supresión de la articulación del regulador o del mecanismo de ajuste de la velocidad para que el motor funcione fuera de sus parámetros de diseño.

Problemas que pueden afectar las emisiones de escape

Si percibe alguno de los síntomas siguientes, solicite a su distribuidor de servicio que inspeccione y repare el motor.

- Cuesta arrancar o se cala después de arrancar.
- Ralentí irregular.
- Fallos de encendido o detonaciones bajo carga.
- Combustión retardada (detonaciones).
- Humo negro de escape o alto consumo de combustible.

Repuestos

Los sistemas de control de las emisiones de escape de su nuevo motor Honda han sido diseñados, fabricados y certificados para conformar las regulaciones de las emisiones de escape estipuladas por EPA, de California y Canadá. Recomendamos el empleo de repuestos originales Honda Genuine cuando se haga el mantenimiento. Estos repuestos de diseño original están fabricados con las mismas normas que las partes originales, por lo que podrá confiar en su rendimiento. Honda no puede rechazar la cobertura de la garantía de emisiones exclusivamente para el empleo de repuestos que no sean de Honda o tareas de servicio realizadas en una ubicación que no sea un concesionario autorizado Honda; puede utilizar piezas certificadas por EPA comparables, así como solicitar el servicio en ubicaciones que no sean de Honda. Sin embargo, el empleo de repuestos que no son de diseño y calidad originales puede degradar la efectividad del sistema de control de las emisiones de escape.

Los fabricantes del mercado de repuestos asumen la responsabilidad de que el repuesto no afectará adversamente el rendimiento de las emisiones de escape. El fabricante o el remodelador del repuesto deberá certificar que el empleo del repuesto no ocasionará fallos del motor para que éste pueda cumplir las regulaciones sobre las emisiones de escape.

Mantenimiento

Como propietario del motor de equipos motorizados, es responsable de completar todo el mantenimiento necesario incluido en el manual del propietario. Honda recomienda que conserve todos los recibos que cubran el mantenimiento en su motor de equipos motorizados, pero Honda no puede rechazar la cobertura de la garantía simplemente por la falta de recibos o porque usted no haya podido garantizar la realización de todo el mantenimiento programado.

Siga el PROGRAMA DE MANTENIMIENTO de la página 4.

Recuerde que este programa se basa en la suposición de que el motor se utiliza para su propósito original. El funcionamiento continuado con grandes cargas o altas temperaturas, o la utilización en entornos con polvo, requerirá que se realice el servicio con más frecuencia.

Índice de aire

(Modelos homologados para la venta en California)

En los motores que están certificados para un período de durabilidad de las emisiones de acuerdo con las estipulaciones del Consejo de recursos de aire de California se les pone una etiqueta de información sobre el índice de aire.

El gráfico de barras tiene el propósito de proporcionarle a usted, nuestro cliente, la posibilidad de comparar el rendimiento de las emisiones de escape de los motores disponibles. Cuanto más bajo es el índice de aire, menos contaminación produce.

La descripción de la durabilidad tiene el propósito de informarle sobre el período de durabilidad de las emisiones de escape del motor. El término descriptivo indica el período de vida de servicio del sistema de control de las emisiones de escape del motor. Consulte la *garantía del sistema de control de las emisiones de escape* para encontrar más información al respecto.

Término descriptivo	Aplicable al período de durabilidad de las emisiones
Moderado	50 horas (0–80 cc, incluido) 125 horas (más que 80 cc)
Intermedio	125 horas (0–80 cc, incluido) 250 horas (más que 80 cc)
Extendido	300 horas (0–80 cc, incluido) 500 horas (más que 80 cc) 1.000 horas (225 cc y más)

La etiqueta de Información de índice de aire debe permanecer en el motor hasta que se venda. Retire la etiqueta antes de operar el motor.

Especificaciones

GCV145

Modelo	GCV145H
Código de descripción	GJAMH
Longitud × Anchura × Altura	415 × 362 × 360,5 mm
Masa en seco [peso]	11,8 kg
Tipo de motor	Cilindro único, de 4 golpes, OHV
Cilindrada	145 cm ³
Calibre × Carrera	56,0 × 59,0 mm
Potencia neta (de acuerdo con la norma SAE J1349*)	3,1 kW (4,2 PS) a 3.600 rpm
Par neto máx. (de acuerdo con la norma SAE J1349*)	9,1 N·m (0,93 kgf·m) a 2.500 rpm
Capacidad de aceite de motor	0,40 L
Capacidad del depósito de combustible	0,91 L
Sistema de enfriamiento	Aire forzado
Sistema de encendido	Ignición de imán tipo transistor
Rotación del eje de la toma de fuerza	Hacia la izquierda

GCV170

Modelo	GCV170H
Código de descripción	GJANH
Longitud × Anchura × Altura	415 × 362 × 360,5 mm
Masa en seco [peso]	11,8 kg
Tipo de motor	Cilindro único, de 4 golpes, OHV
Cilindrada	166 cm ³
Calibre × Carrera	60,0 × 59,0 mm
Potencia neta (de acuerdo con la norma SAE J1349*)	3,6 kW (4,9 PS) a 3.600 rpm
Par neto máx. (de acuerdo con la norma SAE J1349*)	11,1 N·m (1,13 kgf·m) a 2.500 rpm
Capacidad de aceite de motor	0,40 L
Capacidad del depósito de combustible	0,91 L
Sistema de enfriamiento	Aire forzado
Sistema de encendido	Ignición de imán tipo transistor
Rotación del eje de la toma de fuerza	Hacia la izquierda

GCV200

Modelo	GCV200H
Código de descripción	GJAPH
Longitud × Anchura × Altura	415 × 362 × 360,5 mm
Masa en seco [peso]	11,8 kg
Tipo de motor	Cilindro único, de 4 golpes, OHV
Cilindrada	201 cm ³
Calibre × Carrera	66,0 × 59,0 mm
Potencia neta (de acuerdo con la norma SAE J1349*)	4,2 kW (5,7 PS) a 3.600 rpm
Par neto máx. (de acuerdo con la norma SAE J1349*)	12,7 N·m (1,30 kgf·m) a 2.500 rpm
Capacidad de aceite de motor	0,40 L
Capacidad del depósito de combustible	0,91 L
Sistema de enfriamiento	Aire forzado
Sistema de encendido	Ignición de imán tipo transistor
Rotación del eje de la toma de fuerza	Hacia la izquierda

*La potencia nominal del motor indicada en este documento es la potencia de salida neta probada en un modelo de motor fabricado en serie y medida conforme a la norma SAE J1349 a 3.600 rpm (potencia neta) y a 2.500 rpm (par neto máx.). La potencia de salida de los motores de fabricación en serie puede variar respecto a este valor. La potencia de salida real del motor instalado en el vehículo final variará dependiendo de numerosos factores, entre los que destacan la velocidad de funcionamiento aplicada al motor, las condiciones medioambientales, el mantenimiento y otras variables.

Especificaciones de afinación GCV145/170/200

ARTÍCULO	ESPECIFICACIÓN	MANTENIMIENTO
Espacio de la bujía	0,7–0,8 mm	Consulte la página 6
Velocidad en ralentí	1.700±150 rpm	-
Espacio libre de válvula (frío)	IN: 0,10±0,02 mm EX: 0,10±0,02 mm	Consulte a su concesionario Honda autorizado
Otras especificaciones	No se requieren otros ajustes.	

Información de referencia rápida

Combustible	Gasolina sin plomo (consulte la página 4).	
	EE.UU.	Valor de octanos de bomba de 86 o más alto
	Excepto EE.UU.	Valor de octanos de investigación de 91 o más alto Valor de octanos de bomba de 86 o más alto
Motor de aceite	SAE 10W-30, API SE o posterior, para uso general. Consulte la página 5.	
Bujía	BPR5ES (NGK)	
Mantenimiento	Antes de cada uso:	
	<ul style="list-style-type: none"> Revise el nivel de aceite del motor. Consulte la página 5. Verifique el limpiador de aire. Consulte la página 5. 	
	Primeras 5 horas: Cambiar el aceite del motor. Consulte la página 5.	
Posteriormente: Consulte el calendario de mantenimiento en la página 4.		

NOTA:

Las especificaciones pueden variar de acuerdo a los tipos, y están sujetas a cambios sin previo aviso.

INFORMACIÓN DEL CONSUMIDOR

Garantía e información para encontrar distribuidores/ concesionarios

Estados Unidos, Puerto Rico, e Islas Vírgenes Estadounidenses:
Visite nuestro sitio web: www.honda-engines.com

Canadá:
Llame al (888) 9HONDA9 o visite nuestro sitio web: www.honda.ca

Para la zona de Europa:
Visite nuestro sitio web: <http://www.honda-engines-eu.com>

Información de servicio para clientes

El personal de los concesionarios de servicio son profesionales entrenados. Ellos podrán contestar a cualquier pregunta que usted les haga. Si se encuentra con un problema que su concesionario no puede resolver satisfactoriamente, comuníquese al jefe del concesionario. El jefe de servicio, el director general, o el propietario podrán ayudarle. Casi todos los problemas se resuelven de este modo.

Estados Unidos, Puerto Rico, e Islas Vírgenes Estadounidenses:
Si no queda satisfecho con la decisión tomada por los jefes del concesionario, póngase en contacto con el distribuidor regional de motores Honda de su localidad.

Si todavía no está satisfecho después de hablar con el distribuidor regional de motores, puede ponerse en contacto con la Oficina de Honda indicada.

Todas las otras zonas:
Si no queda satisfecho con la decisión tomada por los jefes del concesionario, póngase en contacto con la Oficina de Honda como se muestra.

«Oficina de Honda»

Cuando escriba o llame, tenga la amabilidad de incluir la información siguiente:

- Nombre del fabricante y número de modelo del equipo al que se ha montado el motor
- Modelo, número de serie, y tipo del motor (vea la página 8)
- Nombre del concesionario que le vendió el motor
- Nombre, dirección, y persona de contacto del concesionario que realiza el servicio de su motor
- Fecha de adquisición
- Su nombre, dirección y número de teléfono
- Una descripción detallada del problema

Estados Unidos, Puerto Rico, e Islas Vírgenes Estadounidenses:

American Honda Motor Co., Inc.

Power Equipment Division
Oficina de relaciones con el cliente
4900 Marconi Drive
Alpharetta, GA 30005-8847

O llamar por teléfono: (770) 497-6400, 8:30 a. m. - 7:00 p. m. ET

Canadá:

Honda Canada, Inc.

Visite www.honda.ca
para obtener información sobre direcciones

Teléfono: (888) 9HONDA9 Llamada gratuita
(888) 946-6329

Facsimil: (877) 939-0909 Llamada gratuita

Para la zona de Europa:

Honda Motor Europe Logistics NV.

European Engine Center

<http://www.honda-engines-eu.com>

Todas las otras zonas:

Póngase en contacto con el distribuidor Honda de su zona para que le ayude.

Garantía internacional de los motores Honda de uso general

El motor Honda de uso general instalado en este producto de marca está cubierto por una garantía de motor Honda de uso general, bajo las condiciones siguientes.

- Las condiciones de garantía conforman las de los motores de uso general establecidas por Honda para cada país.
- Las condiciones de garantía se aplican a las averías de motores causadas por un problema de fabricación o de especificaciones.
- La garantía no se aplica en los países en los que no haya ningún distribuidor de Honda.

Para obtener el servicio de garantía:

Deberá llevar su motor Honda, o el equipo donde está instalado, junto con el comprobante de la fecha de compra original a un concesionario de motores Honda autorizado para vender dicho producto en su país, o al concesionario donde compró el producto. Para localizar un distribuidor/concesionario Honda cercano o comprobar el estado de la garantía en su país, visite nuestro sitio web de información de servicio global <https://www.hppsv.com/ENG/>, o póngase en contacto con un distribuidor de su país.

Exclusiones:

La garantía de este motor no incluye lo siguiente:

- Los daños o deterioros provocados por lo siguiente:
 - Negligencia en el mantenimiento periódico según lo especificado en el manual del propietario del motor
 - Reparación o mantenimiento no adecuados
 - Métodos de funcionamiento distintos de los indicados en el manual del propietario del motor
 - Daños provocados por el producto en el que está instalado el motor
 - Daños provocados por la conversión a, o el uso de, combustible distinto del combustible para el que el motor se fabricó inicialmente, según lo establecido en el manual del propietario del motor y/o en el folleto de garantía
 - El uso de piezas y accesorios no originales de Honda, distintos de los aprobados por Honda (distintos de los lubricantes y líquidos recomendados) (no se aplica a la garantía de emisiones a menos que la pieza no original utilizada no sea comparable a la pieza de Honda y sea la causa de la avería)
 - Exposición del producto a hollín y humo, agentes químicos, excrementos de aves, agua marina, brisa marina, sal u otros fenómenos ambientales
 - Colisión, contaminación o deterioro del combustible, negligencia, alteración no autorizada o uso indebido
 - Desgaste y rotura naturales (decoloración natural de las superficies pintadas o cromadas, descascarado de láminas y otros tipos de deterioro natural)
- Piezas consumibles: Honda no garantiza el deterioro de las piezas debido al desgaste y rotura normales. Las piezas indicadas a continuación no están cubiertas por la garantía (a menos que sean necesarias como parte de otra reparación de garantía):
 - Bujía, filtro de combustible, elemento del filtro de aire, disco de embrague, cuerda de arranque retráctil
 - Lubricante: aceite y grasa
- Limpieza, ajuste y tareas normales de mantenimiento periódico (limpieza del carburador y drenaje de aceite del motor).
- Uso del motor Honda de uso general para carreras o competiciones.
- Cualquier motor que forme parte de un producto declarado como pérdida total o vendido como restos por una institución financiera o aseguradora.

Acerca de la etiqueta de MANTENIMIENTO Y ASISTENCIA

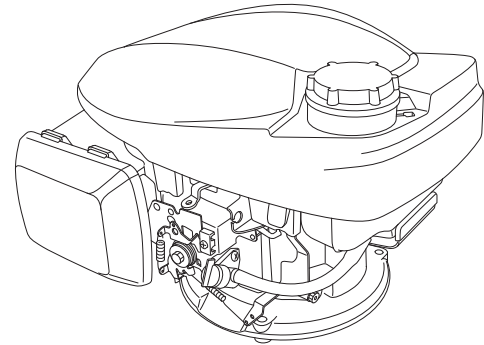
Es posible que su motor Honda tenga adherida una etiqueta de MANTENIMIENTO Y ASISTENCIA*. Si visita nuestro sitio web escaneando este código de barras bidimensional (código QR), encontrará información de servicio.
* Esta etiqueta no está adherida a todos los modelos.



https://www.hondapps.com/ENG/QR/GCV145_170_200/

HONDA

INSTRUCTIEHANDLEIDING GCV145 · GCV170 · GCV200

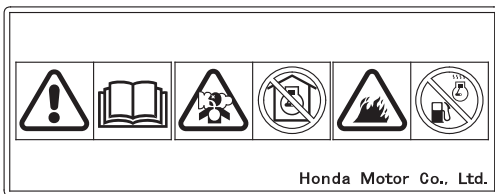


⚠ WAARSCHUWING

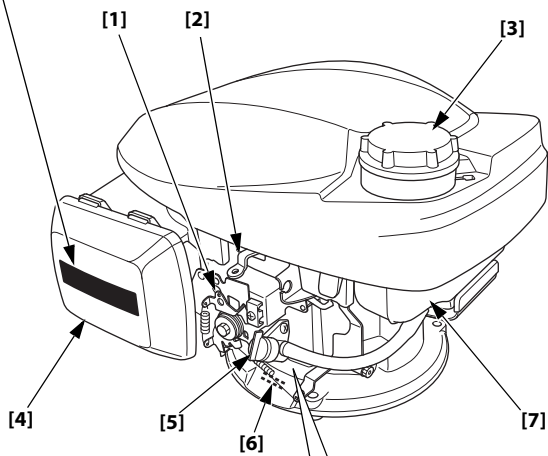
De uitlaatgassen van dit product bevatten chemische stoffen die in de staat Californië worden beschouwd als stoffen die kanker, geboortefwijkingen of reproductieve schade veroorzaken.

• De afbeeldingen kunnen verschillen naargelang van het type.

LOCATIE VEILIGHEIDSTICKER / LOCATIES VAN COMPONENTEN & SCHAKELAARS



**Uitvoering met handchoke
(Uitvoering zonder CHOKEHENDEL)
(sommige uitvoeringen)**



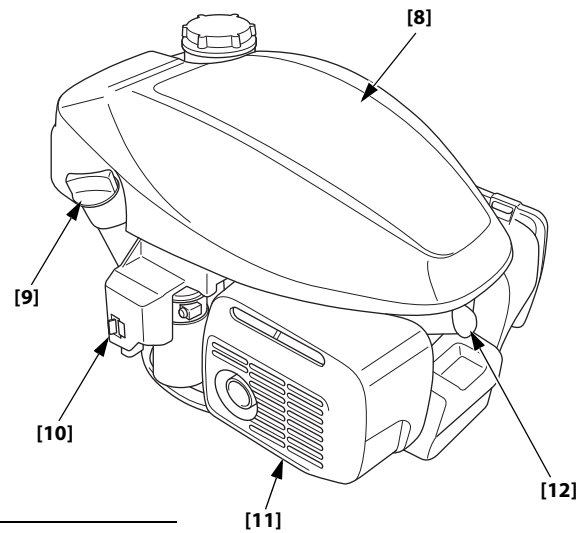
Lees het instructieboekje voordat u de motor gebruikt.



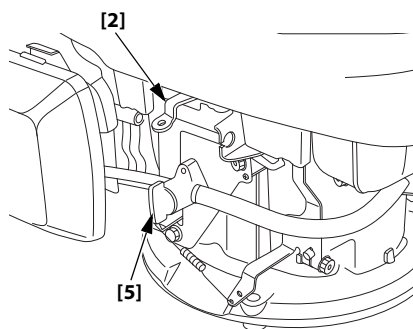
De uitlaatgassen van de motor bevatten giftig koolmonoxidegas. Laat de motor niet draaien in een omsloten ruimte.



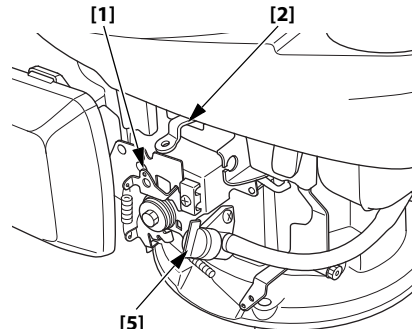
Benzine is uiterst brandbaar en explosief. Zet de motor uit en laat deze afkoelen voordat u brandstof bijvult.



**Uitvoering met automatische choke
(Uitvoering met VASTE GASINSTELLING)
(sommige uitvoeringen)**



**Uitvoering met automatische choke
(Uitvoering met HANDGASHENDEL)
(sommige uitvoeringen)**



- [1] BEDIENINGSHENDEL (sommige uitvoeringen)
- [2] VLIEGWIELREMHEDEL (sommige uitvoeringen)
- [3] BRANDSTOFTANKDOP
- [4] LUCHTFILTER
- [5] BRANDSTOFKRAAN
- [6] SERIENUMMER & MOTORUITVOERING
- [7] BRANDSTOFTANK
- [8] BOVENKAP
- [9] OLIEVULDOP
- [10] USB-OPLAADPOORT
- [11] UITLAATDEMPER
- [12] BOUGIE

NEDERLANDS

INLEIDING

Dank u voor uw aanschaf van een Honda motor. We helpen u graag om met uw nieuwe motor optimale resultaten te behalen en deze veilig te gebruiken. Deze handleiding bevat informatie hierover, lees deze daarom zorgvuldig door voordat u uw motor gebruikt. Als er storingen optreden of als u vragen over uw motor heeft, neem dan contact op met uw onderhoudsdealer.

Alle informatie in deze publicatie is gebaseerd op de meest recente productinformatie die bij het ter perse gaan beschikbaar was. Honda Motor Co., Ltd. behoudt zich te allen tijde het recht voor om zonder kennisgeving wijzigingen aan te brengen zonder hiermee verplichtingen op zich te nemen. Deze publicatie mag noch geheel noch gedeeltelijk worden gereproduceerd zonder voorafgaande schriftelijke toestemming.

Deze handleiding is te beschouwen als een permanent onderdeel van de motor en hoort bij verkoop ervan aan de nieuwe eigenaar te worden overhandigd.

We raden u aan het garantieboekje door te nemen zodat de dekking u volkomen duidelijk is en u alles weet over uw verantwoordelijkheid als eigenaar.


Neem de instructies bij de door deze motor aangedreven apparatuur door voor aanvullende informatie over starten en uitzetten van de motor, bediening, afstellingen of eventuele speciale onderhoudsinstructies.

INHOUD

VEILIGHEIDSMEEDEDELINGEN.....	1	HANDIGE TIPS & SUGGESTIES	7
VEILIGHEIDSGEBRUIK.....	1	UW MOTOR STALLEN	7
VEILIGHEIDSGEBRUIKSCONTROLES		VERVOER	8
VOORAF	2	ONVERWACHT PROBLEEM	
BEDIENING	2	OPLOSSEN.....	8
VOORZORGEN VOOR VEILIG		TECHNISCHE INFORMATIE	8
GEbruik.....	2	GEbruikersinformatie	11
DE MOTOR STARTEN.....	2	Garantie en informatie over	
DE MOTOR UITZETTEN.....	3	zoeken distributeur/dealer.....	11
ONDERHOUD AAN UW MOTOR.....	4	KLANTENSERVICE-INFORMATIE.....	11
HET BELANG VAN ONDERHOUD	4		
VEILIG ONDERHOUD	4		
VEILIGHEIDSGEBRUIK	4		
ONDERHOUDSSCHEMA	4		
BRANDSTOF TANKEN.....	4		
MOTOROLIE.....	5		
LUCHTFILTER	5		
BOUGIE.....	6		
VONKENVANGER.....	6		
LAADTOESTAND VAN DE ACCU.....	6		

VEILIGHEIDSMEEDEDELINGEN

Uw eigen veiligheid en die van anderen is van het grootste belang. Overall in deze handleiding en op de motor zelf vindt u belangrijke veiligheidsmededelingen. Lees deze mededelingen aandachtig.

Een veiligheidsmededeling maakt u attent op potentiële risico's waarbij letsel aan uzelf of anderen kan worden toegebracht. Vóór elke veiligheidsmededeling ziet u een veiligheidssymbool  staan en een van de drie aanduidingen GEVAAR, WAARSCHUWING of VOORZICHTIG.

Deze signaalwoorden betekenen:

GEVAAR

U loopt **BESLIST DODELIJK** of **ERNSTIG** letsel op als u instructies niet opvolgt.

WAARSCHUWING

U loopt **MOGELIJK DODELIJK** of **ERNSTIG** letsel op als u instructies niet opvolgt.

VOORZICHTIG

U **KUNT LETSEL** oplopen als u instructies niet opvolgt.

Elke mededeling maakt duidelijk wat het risico is, wat er kan gebeuren en wat u kunt doen om letsel te vermijden of te reduceren.

INFORMATIE VOOR SCHADEPREVENTIE

U treft ook nog andere belangrijke mededelingen aan waarbij het woord **ATTENTIE** staat.

Dit woord betekent:

ATTENTIE

U kunt uw motor of eigendommen beschadigen als u instructies niet opvolgt.

Het doel van deze mededelingen is u te helpen om schade aan de motor, uw eigendommen of het milieu te voorkomen.

VEILIGHEIDSGEBRUIK

- Zorg dat u de werking van alle bedieningsorganen begrijpt en dat u weet hoe u de motor in een noodgeval snel afzet. Zorg dat de gebruiker behoorlijke instructies krijgt voordat hij de apparatuur gaat gebruiken.
- Sta kinderen niet toe om de motor te gebruiken. Houd kinderen en huisdieren uit de buurt terwijl de motor in gebruik is.
- De uitlaatgassen van uw motor bevatten giftig koolmonoxidegas. Laat de motor niet te draaien zonder voldoende ventilatie en laat de motor nooit binnenshuis draaien.
- De motor en uitlaat worden tijdens het gebruik heel warm. Houd tijdens het gebruik de motor tenminste 1 meter uit de buurt van gebouwen en andere apparatuur. Houd ontvlambare stoffen uit de buurt en plaats niets op de motor terwijl hij aan het draaien is.

Verwijdering



Om het milieu te beschermen, dit product, de accu enz. niet achteloos bij het huisvuil wegwerpen. De plaatselijke wetten en regels in acht nemen, of een erkend dealer van uw apparatuur (bijvoorbeeld een grasmaaimachine) raadplegen voor verwijdering.

LOCATIE VEILIGHEIDSGEBRUIK

Zie pagina A-1.

Deze sticker waarschuwt u voor risico's die ernstig letsel tot gevolg kunnen hebben. Lees deze zorgvuldig.

Als de sticker losraakt of niet meer goed leesbaar is, kunt u bij uw Honda onderhoudsdealer een nieuwe sticker krijgen.

LOCATIES VAN COMPONENTEN & SCHAKELAARS

Zie pagina A-1.

GEBRUIKSCONTROLES VOORAF

IS UW MOTOR GEBRUIKSKLAAR?

Voor uw eigen veiligheid, een goede naleving van de milieuvorschriften en een maximale levensduur van uw apparatuur is het van groot belang dat u even de tijd neemt om de conditie van de motor te controleren voordat u de motor inschakelt. Los vervolgens een eventueel gevonden probleem op of laat uw onderhoudsdealer dit verhelpen voordat u de motor weer gebruikt.

⚠ WAARSCHUWING

Als de motor niet correct wordt onderhouden of problemen niet worden verholpen voordat de motor wordt gebruikt, kunnen ernstige storingen ontstaan.

Sommige storingen kunnen resulteren in ernstige of dodelijke letsels.

Voer voorafgaand aan elk gebruik een controle uit en verhelp eventuele problemen.

Zorg dat de motor horizontaal staat en is uitgezet voordat u de gebruikscontrole verricht.

Controleer altijd de volgende punten voordat u de motor start:

Controleer de algehele conditie van de motor

1. Kijk rondom en onder de motor of u sporen ziet van olie- en benzinelekkage.
2. Verwijder een teveel aan vuil of rommel, vooral rondom de uitlaatdemper en de bovenkap.
3. Let op tekenen van schade.
4. Controleer of alle afschermkappen en deksels op hun plaats zitten en of alle moeren, bouten en schroeven stevig vast zitten.

Controleer de motor

1. Controleer het brandstofniveau (zie pagina 4). Door al te beginnen met een volle tank zorgt u dat u nauwelijks of geen werkonderbrekingen heeft om bij te moeten tanken.
2. Controleer het motorolieniveau (zie pagina 5). Als de motor draait met een te laag olieniveau, kan er motorschade ontstaan.
3. Controleer het luchtfilterelement (zie pagina 5). Een vervuild luchtfilterelement belemmert de luchtstroming naar de carburateur, zodat de motor minder goed presteert.
4. Controleer de laadtoestand van de accu (zie pagina 6).
5. Controleer de apparatuur die door deze motor wordt aangedreven.

Neem de instructies door die bij de apparatuur aangedreven door deze motor is meegeleverd en let op voorzorgen en procedures die u hoort te volgen voordat u de motor start.

BEDIENING

VOORZORGEN VOOR VEILIG GEBRUIK

Lees bij de ingebruikname van de motor de paragraaf met **VEILIGHEIDSINFORMATIE** door op pagina 1 en de **GEBRUIKSCONTROLES VOORAF** op pagina 2.

Gevaren van koolmonoxide

Laat voor uw eigen veiligheid de motor niet draaien in een afgesloten ruimte zoals een garage. De uitlaatgassen van de motor bevatten giftig koolmonoxide dat in een afgesloten ruimte snel een concentratie bereikt die schadelijk of dodelijk is.

⚠ WAARSCHUWING

Uitlaatgassen bevatten giftig koolmonoxide dat in afgesloten ruimten een gevaarlijke concentratie kan bereiken.

Het inademen van koolmonoxide kan leiden tot bewusteloosheid of de dood.

Laat de motor nooit draaien in een afgesloten of gedeeltelijk afgesloten ruimte.

Lees de instructies die bij de apparatuur aangedreven door deze motor zijn meegeleverd en let op veiligheidsvoorzorgen die u in acht moet nemen bij het starten, uitschakelen of gebruik van de motor.

Gebruik de motor niet op hellingen van meer dan 15° (26%).

Omgang met de accu

ATTENTIE

Als u onderstaande instructies niet opvolgt, bestaat gevaar van kortsluiting, warmteontwikkeling, ontsteking, gasinjectie en vloeistoflekkage.

- De accu niet uit elkaar nemen of wijzigen.
- Geen sterke stoten veroorzaken, zoals door te laten vallen of door zware voorwerpen erop te plaatsen.
- Als een accu in het water valt, die accu dan niet meer gebruiken.
- Het etiket dat bovenaan op de accu is aangebracht, niet verwijderen.

⚠ VOORZICHTIG

Als een probleem zoals geur, warmteontwikkeling, vervorming of verkleuring optreedt tijdens het gebruik, de opslag of het opladen van de accu, stop dan onmiddellijk met het gebruik van de accu.

Als uit de accu gelekte vloeistof op uw huid of kleren terecht komt, spoel dan met zuiver water.

Indien gelekte vloeistof in uw ogen spat, spoel die dan grondig met zuiver water en roep onmiddellijk medische hulp in, zonder in uw ogen te wrijven.

In tegengesteld geval kan schade aan de ogen ontstaan.

DE MOTOR STARTEN

De choke niet gebruiken, wanneer de motor warm of de temperatuur van de lucht hoog is.

• Uitvoering met handchoke (sommige uitvoeringen)

1. Draai de brandstofkraan in de stand AAN.
Zie Figuur 1, pagina A-2.
2. [Uitvoering zonder CHOKEHENDEL] (sommige uitvoeringen)
Zet de bedieningshendel in de stand DICHT (CHOKE).
Zie Figuur 2, pagina A-2.
3. Uitvoering met Vliegwielerhendel (sommige uitvoeringen):
Zet de vliegwielerhendel in de stand ONTGRENDELD.
De motorschakelaar die gekoppeld is aan de vliegwielerhendel wordt aangezet zodra u de vliegwielerhendel in de stand ONTGRENDELD zet.
Zie Figuur 3, pagina A-2.
4. Haal de remhendel van de door de motor aangedreven apparatuur aan.
De accu-indicator licht op of knippert gedurende 5 seconden om de laadtoestand van de accu weer te geven (zie pagina 6), wanneer de remhendel van de door de motor aangedreven apparatuur wordt aangehaald.

5. Terwijl u de remhendel in die stand houdt, druk op de motorstartknop van de apparatuur die door de motor wordt aangedreven.
Vervolgens dooft de accu-indicator, en de motor start.

ATTENTIE

De motor niet starten wanneer de functionaliteit van de door de motor aangedreven apparatuur beperkt is (bijvoorbeeld als een blad van een grasmaaier geblokkeerd is).

Als de startprocedure van de motor in die toestand wordt ondernomen, stopt de rotatie van de starter automatisch. De motor kan niet worden gestart als de starter niet draait.

Als daarna verscheidene keren wordt gepoogd de startprocedure van de motor uit te voeren, licht de accu-indicator niet meer op en, om de accu te beschermen, start de motor niet. Wacht even en probeer daarna opnieuw te starten.

Als de motor niet binnen 3 seconden start, licht de accu-indicator opnieuw op of knippert gedurende 5 seconden om de laadtoestand van de accu aan te geven (zie pagina 6).

Druk opnieuw op de motorstartknop nadat de laadtoestand van de accu is weergegeven.

ATTENTIE

Als de accu-indicator knippert, is de laadtoestand van de accu laag. Het valt dan aan te raden om de motor langer in werking te houden om de accu voldoende op te laden.

Als de accu-indicator gedoofd is tijdens de startprocedures, de accu opladen met de externe USB-lader (zie pagina 6).

ATTENTIE

Als de motor wordt gestart na een opslagperiode van meer dan 1 maand, druk dan op de motorstartknop van de apparatuur die door deze motor wordt aangedreven, en controleer dat de accu-indicator knippert.

6. [Uitvoering zonder CHOKEHENDEL] (sommige uitvoeringen)

Wanneer de motor opwarmt, zet u de bedieningshendel in de stand SNEL of LANGZAAM.
Zie Figuur 4, pagina A-2.

• Uitvoering met automatische choke (sommige uitvoeringen)

1. Draai de brandstofkraan in de stand AAN.
Zie Figuur 1, pagina A-2.
2. Uitvoering met Vliegwieleremhendel (sommige uitvoeringen):
Zet de vliegwieleremhendel in de stand ONTGRENDELD.
Zie Figuur 3, pagina A-2.
3. [Uitvoering met HANDGASHENDEL] (sommige uitvoeringen)
Druk de regelhendel naar de stand SNEL.
Zie Figuur 4, pagina A-2.
4. Haal de remhendel van de door de motor aangedreven apparatuur aan.
De accu-indicator licht op of knippert gedurende 5 seconden om de laadtoestand van de accu weer te geven (zie pagina 6), wanneer de remhendel van de door de motor aangedreven apparatuur wordt aangehaald.
5. Terwijl u de remhendel in die stand houdt, druk op de motorstartknop van de apparatuur die door de motor wordt aangedreven.
Vervolgens dooft de accu-indicator, en de motor start.

ATTENTIE

De motor niet starten wanneer de functionaliteit van de door de motor aangedreven apparatuur beperkt is (bijvoorbeeld als een blad van een grasmaaier geblokkeerd is).

Als de startprocedure van de motor in die toestand wordt ondernomen,

stopt de rotatie van de starter automatisch. De motor kan niet worden gestart als de starter niet draait.

Als daarna verscheidene keren wordt gepoogd de startprocedure van de motor uit te voeren, licht de accu-indicator niet meer op en, om de accu te beschermen, start de motor niet. Wacht even en probeer daarna opnieuw te starten.

Als de motor niet binnen 3 seconden start, licht de accu-indicator opnieuw op of knippert gedurende 5 seconden om de laadtoestand van de accu aan te geven (zie pagina 6).

Druk opnieuw op de motorstartknop nadat de laadtoestand van de accu is weergegeven.

ATTENTIE

Als de accu-indicator knippert, is de laadtoestand van de accu laag. Het valt dan aan te raden om de motor langer in werking te houden om de accu voldoende op te laden.

Als de accu-indicator gedoofd is tijdens de startprocedures, de accu opladen met de externe USB-lader (zie pagina 6).

ATTENTIE

Als de motor wordt gestart na een opslagperiode van meer dan 1 maand, druk dan op de motorstartknop van de apparatuur die door deze motor wordt aangedreven, en controleer dat de accu-indicator knippert.

6. [Uitvoering met HANDGASHENDEL] (sommige uitvoeringen)

Zet de bedieningshendel in de stand voor het gewenste motortoerental.

DE MOTOR UITZETTEN

1. [Uitvoering met HANDGASHENDEL] (sommige uitvoeringen)

Druk de regelhendel naar de stand LANGZAAM.
Zie Figuur 4, pagina A-2.

2. Uitvoering met Vliegwieleremhendel (sommige uitvoeringen):

Druk de vliegwieleremhendel weer terug naar de stand GEACTIVEERD. De motorschakelaar die in verbinding met de vliegwieleremhendel staat, wordt uitgeschakeld wanneer de vliegwieleremhendel naar de stand GEACTIVEERD wordt gedrukt.
Zie Figuur 3, pagina A-2.

Uitvoering zonder Vliegwieleremhendel (sommige uitvoeringen):

Druk de regelhendel naar de STOP stand. De motorschakelaar die in verbinding met de regelhendel staat, wordt uitgeschakeld wanneer de regelhendel naar de STOP stand wordt gedrukt.
Zie Figuur 5, pagina A-2.

3. Draai de brandstofkraan in de stand UIT.
Zie Figuur 1, pagina A-2.

ONDERHOUD AAN UW MOTOR

HET BELANG VAN ONDERHOUD

Deugdelijk onderhoud is van groot belang voor een veilige, zuinige en storingsvrije werking. Ook helpt u zo milieuverontreiniging voorkomen.

WAARSCHUWING

Als de motor niet correct wordt onderhouden of problemen niet worden verholpen voordat de motor wordt gebruikt, kunnen ernstige storingen ontstaan.

Sommige storingen kunnen resulteren in ernstige of dodelijke letsels.

Volg altijd de aanbevelingen voor inspectie en onderhoud, en de schema's in deze instructiehandleiding voor de eigenaar.

Om u te helpen bij een goede verzorging van uw motor, bevatten de volgende pagina's een onderhoudsschema en beschrijvingen van routineinspecties en eenvoudige onderhoudsprocedures met basisgereedschap. Andere onderhoudstaken die wat ingewikkelder zijn of waarvoor speciaal gereedschap nodig is, kunt u beter overlaten aan vakmensen en normaliter laten uitvoeren door een monteur van Honda of een andere geschoolde monteur.

Het onderhoudsschema is van toepassing op normale gebruiksomstandigheden. Als u de motor gebruikt onder zware omstandigheden, zoals bij continu gebruik onder zware belasting of bij hoge temperaturen of onder ongewoon vochtige of stoffige condities, neem dan contact op met uw Honda onderhoudsdealer voor advies over uw specifieke behoeften en gebruik.

Gebruik alleen originele Honda-onderdelen of gelijkwaardig materiaal. Het gebruik van vervangingsonderdelen van mindere kwaliteit kan schade aan de motor veroorzaken.

Het onderhoud, vervangingen of reparaties van de onderdelen van de emissieregeling mogen worden uitgevoerd door een inrichting voor motorreparaties of door een persoon, op voorwaarde dat reserveonderdelen worden gebruikt die "goedgekeurd" zijn volgens de EPA-normen.

VEILIG ONDERHOUD

Enkele zeer belangrijke veiligheidsvoorzorgen staan hier beschreven. We kunnen echter niet waarschuwen tegen elk mogelijk risico dat zich bij het uitvoeren van onderhoud kan voordoen. U kunt alleen zelf beslissen of u een bepaalde taak al dan niet aankunt.

WAARSCHUWING

Verkeerd uitgevoerd onderhoud kan leiden tot onveilige situaties.

Indien de onderhoudsinstructies en voorzorgsmaatregelen niet correct worden opgevolgd kan dit resulteren in ernstige of dodelijke letsels.

Volg altijd de procedures en de voorzorgsmaatregelen in deze instructiehandleiding.

VEILIGHEIDSVORZORGEN

- Zet de motor uit voordat u begint met onderhoud of reparatie. Haal de bougie op los van de bougie om onbedoeld starten te voorkomen. Daarmee neemt u enkele potentiële risico's weg:
 - **Koolmonoxidevergiftiging door motoruitlaatgassen.** Laat de motor buiten draaien, op afstand van open ramen of deuren.
 - **Brandwonden door hete onderdelen.** Laat de motor en het uitlaatsysteem afkoelen voordat u deze aanraakt.
 - **Letsel door bewegende onderdelen.** Zet de motor pas aan als de instructie dat aangeeft.
- Lees de instructies voordat u begint en controleer of u het vereiste gereedschap en de deskundigheid bezit.
- Wees voorzichtig wanneer u met benzine werkt, om het risico op brand of explosie te verminderen. Gebruik een niet-ontvlambaar oplosmiddel en geen benzine om onderdelen te reinigen. Blijft met een brandende sigaret, vonken of open vuur bij alle onderdelen van het brandstofsysteem vandaan.

Denk eraan dat een erkende Honda onderhoudsdealer uw motor het beste kent en volkomen is uitgerust om deze te onderhouden en te repareren. Gebruik voor de beste kwaliteit en betrouwbaarheid alleen nieuwe originele Honda of gelijkwaardige onderdelen ter reparatie en vervanging.

ONDERHOUDSSCHEMA

PERIODIEKE ONDERHOUDSBEURT (1)		Alle gebruik	Eerste maand of 5 uur	Elke 3 maanden of 25 uur	Elke 6 maanden of 50 uur	Elk jaar of 100 uur	150 uur	Elke 2 jaar of 250 uur	Raadpleeg pagina
Motorolie	Controleer niveau	o							5
	Verversen		o		o (2)				5
Luchtfilter	Controleren	o							5
	Reinigen			o (3)					5
	Vervangen						o		5
Vliegwielmhendel (sommige uitvoeringen)	Controleren				o			6	
Bougie	Controleren-afstellen					o			6
	Vervangen						o		6
Vonkenvanger (sommige uitvoeringen)	Reinigen					o (5)		Werkplaats handboek	
Stationair toerental	Controleren					o (4)		Werkplaats handboek	
Brandstoftank en filter	Reinigen					o (4)		Werkplaats handboek	
Klepspel	Controleren-afstellen					o (4)		Werkplaats handboek	
Verbrandingskamer	Reinigen	Telkens na 250 uur. (4)							Werkplaats handboek
Brandstofleiding	Controleren	Elke 2 jaar (indien nodig vervangen) (4)							Werkplaats handboek

- (1): Houd bij commerciële toepassingen het aantal bedrijfsuren schriftelijk bij om het correcte onderhoudsinterval te kunnen bepalen.
- (2): Ververs de olie elke 25 uur wanneer u de motor onder zware belasting of hoge temperaturen gebruikt.
- (3): Verricht vaker onderhoud bij gebruik in een stoffige omgeving.
- (4): Onderhoud op deze punten moet worden uitgevoerd door uw onderhoudsdealer, als u niet over het juiste gereedschap beschikt en geen ervaren monteur bent. Zie het Honda-werkplaatshandboek voor onderhoudsprocedures.
- (5): In Europa en in andere landen waar Richtlijn 2006/42/EG betreffende machines geldt, moet dit onderhoud worden uitgevoerd door uw servicedealer.

Om onderhoud te verrichten aan het onderste gedeelte van het motorblok (machine), draait u dit 90° en legt u neer met de carburateur/luchtfilter altijd bovenaan.

Zie Figuur 7, pagina A-3.

BRANDSTOF TANKEN

Zie Figuur 6, pagina A-3.

Aanbevolen brandstof

Loodvrije benzine	
V.S.	Pompoctaangetal (PON) van 86 of hoger
Uitgezonderd de V.S.	RON-octaangetal van 91 of hoger
	Pompoctaangetal (PON) van 86 of hoger

Brandstofsificatie(s) die nodig zijn om de prestaties van het emissieregelingssysteem te handhaven: brandstof met referentie E10 in de EU-regeling.

Deze motor is alleen vrijgegeven voor gebruik met loodvrije benzine met een research-octaangehalte (RON) van 91 of hoger (een pompoctaangehalte (PON) van 86 of hoger).

Vul brandstof bij in een goed geventileerde ruimte en met de motor uit. Als de motor gedraaid heeft, laat deze eerst afkoelen.

Vul de tank nooit bij in een ruimte waar benzinedamp in contact kan komen met open vuur of vonken.

U kunt loodvrije benzine gebruiken die maximaal 10 volumepercent ethanol (E10) of 5 volumepercent methanol bevat. Daarnaast moet de methanol verdunders en corrosieremmers bevatten. Gebruik van brandstoffen met een hoger ethanol- of methanolgehalte dan hierboven is aangegeven, kan leiden tot start- en/of prestatieproblemen. Er kan dan ook schade optreden aan metalen, rubberen en kunststoffen onderdelen van het brandstofsysteem. De garantie dekt geen motorschade of prestatieproblemen die het gevolg zijn van het gebruik van een

brandstof met een hoger percentage ethanol of methanol dan hierboven is aangegeven.

WAARSCHUWING

Benzine is een uiterst licht ontvlambare en explosieve stof.

U kunt brandwonden of ernstig letsel oplopen in de omgang met brandstof.

- Zet de motor uit en laat hem afkoelen voordat u met benzine omgaat.
- Houd warmte, vonken en vlammen uit de buurt.
- Vul de tank uitsluitend buiten.
- Blijf op afstand van uw voertuig.
- Verwijder gemorste brandstof onmiddellijk.

ATTENTIE

Brandstof kan verf of bepaalde soorten plastic beschadigen. Zorg ervoor dat u geen brandstof morst bij het vullen van de brandstoftank. Schade die door gemorste brandstof veroorzaakt wordt, valt niet onder de garantie.

Gebruik nooit oude of vervuilde benzine of benzine waaraan olie is toegevoegd. Zorg dat er geen vuil of water in de brandstoftank terecht komt.

Raadpleeg voor het bijvullen met brandstof de instructies meegeleverd met de door deze motor aangedreven apparatuur.

1. Zet de motor af en plaats hem op een horizontaal oppervlak, verwijder de brandstoftankdop en controleer het brandstofniveau. Vul de tank bij als het brandstofniveau laag staat.
2. Vul de brandstoftank bij tot het bovenste streepje. Veeg gemorste brandstof weg voordat u de motor start.
3. Vul zorgvuldig bij om morsen van brandstof te voorkomen. Doe niet te veel brandstof in de tank (er mag geen brandstof in de vulhals staan). Eventueel moet u het brandstofniveau iets verlagen, afhankelijk van de gebruiksomstandigheden. Breng na het bijvullen de tankdop aan en zet deze stevig vast.

Blijf met benzine uit de buurt van waakvlammen, barbecues, elektrische huishoudelijke apparatuur, elektrisch gereedschap, enz.

Gemorste benzine levert niet alleen een brandgevaar op, maar veroorzaakt ook milieuverontreiniging. Veeg gemorste benzine direct weg.

MOTOROLIE

Olie heeft een belangrijke invloed op de prestaties en de levensduur. Gebruik olie voor 4-takt automotoren met reinigende eigenschappen.

Aanbevolen olie

Zie Figuur 9, pagina A-3.

Gebruik 4-taktmotorolie die voldoet aan de eisen voor API-classificatie SE of hogere klasse (of gelijkwaardig). Controleer altijd het API-servicelabel op de olieverpakking om te zien of de aanduidingen SE of hogere klasse (of gelijkwaardig) vermeld staan.

Specificaties van smeerolie die nodig zijn om de prestaties van het emissieregelingssysteem te handhaven: originele olie van Honda.

SAE 10W-30 wordt aanbevolen voor algemene gebruiksdoeleinden. Andere viscositeitsklassen die in het schema staan aangegeven, kunt u gebruiken als de gemiddelde temperatuur in uw omgeving binnen het aangeduide bereik ligt.

Controle olieniveau

Zie Figuur 8, pagina A-3.

1. Verwijder de olievuldop/peilstok en veeg deze schoon.
2. De oliepeilstaaf in de olievlhals steken maar niet inschroeven.
3. Vul tot het hoogste peil van de oliepeilstok bij met de aanbevolen olie indien het peil laag is.

4. Breng de olievuldop/peilstok aan.

ATTENTIE

De motor laten draaien met een laag olieniveau kan schade aan de motor veroorzaken. Dit soort schade valt niet onder de garantie.

Olie verversen

Zie Figuur 8, pagina A-3 en figuur 10, pagina A-3.

Tap de verbruikte olie af terwijl de motor warm is. Warme olie stroomt snel en gemakkelijk uit de motor.

1. Zet de brandstofkraanhendel in de stand UIT. Zie Figuur 1, pagina A-2.
2. Verwijder de olievuldop en tap de olie in een geschikte container af door de motor naar de kant van de olievlnek te kantelen.
3. Vul met de aanbevolen olie bij en controleer het oliepeil.

ATTENTIE

Als de motor draait met een te laag oliepeil, kan er motorschade ontstaan. Dit soort schade valt niet onder de garantie.

Capaciteit motorolie: 0,40 L

4. Breng de olievuldop/peilstok stevig aan.

Was uw handen met water en zeep nadat u met afgewerkte olie in aanraking bent gekomen.

ATTENTIE

Voer verbruikte motorolie op correcte wijze af, zodat u het milieu geen schade toebrengt. We raden aan om deze voor verdere verwerking in een afgesloten verpakking af te leveren bij een lokaal inzamelstation. Gooi de olie niet weg bij het huisvuil en giet deze niet op de grond of in het riool.

LUCHTFILTER

Een vervuild luchtfilter belemmert de luchtstroming naar de carburateur, zodat de motor minder goed presteert. Als u de motor in een erg stoffige omgeving gebruikt, reinig het luchtfilter dan vaker dan staat aangegeven in het ONDERHOUDSSHEMA (zie pagina 4).

ATTENTIE

De motor laten draaien zonder een luchtfilter, of met een beschadigde luchtfilter, zal ervoor zorgen dat vuil de motor binnenkomt, wat snelle slijtage van de motor veroorzaakt. Dit soort schade valt niet onder de garantie.

Inspectie

Verwijder het luchtfilterdeksel en inspecteer het luchtfilterelement. Reinig of vervang een vervuild luchtfilterelement. Vervang een beschadigd luchtfilterelement altijd.

Reinigen

Zie Figuur 12, pagina A-4.

1. Verwijder het luchtfilterdeksel door de twee bovenste lippen boven op het luchtfilterdeksel en de twee onderste lippen los te haken.
2. Verwijder het element. Controleer het element zorgvuldig op gaten of scheuren en vervang als er beschadigingen zijn.
3. Het element meerdere malen tegen een hard oppervlak kloppen om overtollig vuil te verwijderen, of perslucht bij 29 psi (200 kPa) van binnen naar buiten door de filter blazen. Nooit proberen de filter af te borstelen, omdat anders het vuil in de vezels gedrukt wordt. Als het element te sterk vervuild is, dit vervangen.
4. Veeg met een vochtige doek vuil weg aan de binnenkant van het luchtfilterhuis en het filterdeksel. Wees voorzichtig en voorkom dat vuil vanuit de luchtbuis in de carburateur dringt.
5. Breng het element en het luchtfilterdeksel aan.

Inspectie van de VLEGGWIELREM (op sommige types)

Controleer de speling van de vliegwielremhendel. Als deze kleiner is dan 2 mm, neem de motor dan naar een officiële Honda-dealer.
Zie Figuur 11, pagina A-3.

BOUGIE

Zie Figuur 13, pagina A-4.

Aanbevolen bougie: BPR5ES (NGK)

De aanbevolen bougie heeft de correcte warmtegraad voor de normale bedrijfstemperatuur van de motor.

ATTENTIE

Het gebruik van een verkeerde bougie kan de motor beschadigen.

Als de motor gedraaid heeft, laat deze dan eerst afkoelen voordat u onderhoud aan de ontstekingsbougie uitvoert.

Voor een goede werking moet de bougie de juiste elektrodenafstand hebben en mag er geen aanslag aanwezig zijn.

1. Haal de bougiedop los van de bougie en verwijder eventueel vuil direct rondom de bougie.
2. Verwijder de bougie met de bougiesleutel.
3. Controleer het uiterlijk van de bougie. De bougie weggooien, wanneer deze zichtbaar afgesleten of de isolator gescheurd of afgesplinterd is. Wanneer de bougies opnieuw gebruikt dienen te worden, reinig deze dan met een staalborstel.
4. Meet de elektrodenafstand van de bougie met een voelmaat. Corrigeer zo nodig door de zijelektrode te verbuigen.

De elektrodenafstand moet zijn:

0,7–0,8 mm

5. Overtuig U ervan, dat de dichtingsring in goede staat is, dan de bougie met de hand indraaien, om te vermijden dat de draad verkeerd ingeschroefd wordt.
6. Trek de bougie nadat deze aanligt nog iets na met een bougiesleutel om de ring samen te drukken.

Bij het installeren van een nieuwe bougie moet deze nadat hij aanligt nog 1/2 slag extra worden aangedraaid om de ring vast te zetten.

Bij het opnieuw installeren van een oude bougie moet deze nadat hij aanligt nog een 1/8–1/4 slag extra worden aangedraaid om de ring samen te drukken.

AANHAALMOMENT: 20 N·m (2,0 kgf·m, 15 lbf·ft)

ATTENTIE

Door een losse bougie kan de motor oververhit raken en schade oplopen. Door de bougie te strak aan te draaien, kan de schroefdraad in de cilinderkop worden beschadigd.

7. Bevestig de bougiedop op de bougie.

VONKENVANGER (sommige uitvoeringen)

In sommige landen is het gebruik van een motor zonder vonkenvanger wettelijk niet toegestaan. Neem alle plaatselijke voorschriften en wetgeving in acht. Een vonkenvanger is verkrijgbaar bij een erkende Honda onderhoudsdealer.

De vonkenvanger heeft na elke 100 uur onderhoud nodig om zijn werking te behouden.

Als de motor gedraaid heeft, is de uitlaatdemper heet geworden. Laat deze dan afkoelen voordat u onderhoud aan de vonkenvanger verricht.

Verwijderen van vonkenvanger

Zie Figuur 14, pagina A-4, Figuur 15, pagina A-4 en Figuur 16, pagina A-5.

1. Verwijder de schroef en de moerclip.
2. Verwijder de dop van de brandstoftank.

3. Verwijder de bovenkap door de vier lipjes van de bovenkap af te haken.
4. Verwijder de uitlaatdemperbeschermer door de drie 6mm-bouten los te halen.
5. Verwijder de vonkenvanger uit de uitlaatdemper door de schroef los te halen. (Zorg dat het metaalgaas niet beschadigd raakt.)

Inspectie & reiniging van vonkenvanger

Zie Figuur 14, pagina A-4, Figuur 15, pagina A-4 en Figuur 16, pagina A-5.

Zoek naar koolaanslag rondom de uitlaatpoort en de vonkenvanger en reinig zo nodig.

1. Gebruik een borstel om de koolaanslag van het gaas aan de vonkenvanger te verwijderen. Pas op en beschadig het gaas niet. Vervang de vonkenvanger als deze breuken of gaten vertoont.
2. Installeer de vonkenvanger, de uitlaatdemper, de bovenkap en de dop van de brandstoftak in omgekeerde volgorde van de demontage.

⚠ VOORZICHTIG

Stel de motor niet in werking wanneer de bovenkap verwijderd is.

U zou verwondingen kunnen oplopen door de bewegende delen of verbrandingen door de uitlaatdemper.

LAADTOESTAND VAN DE ACCU**De laadtoestand van de accu controleren**

De accu-indicator geeft de laadtoestand van de accu aan. De remhendel van de door de motor aangedreven apparatuur aanhalen om de laadtoestand te controleren.

- ○ (Aan): De accu is voldoende opgeladen.
- ☼ (Knippert): Het accuniveau is laag.
- ● (Uit): De accu is bijna leeg.

Zie Figuur 18, pagina A-5.

Opladen

De externe USB-lader die in het pakket wordt meegeleverd, is bedoeld voor noodgevallen. Opladen is mogelijk door de externe USB-lader aan te sluiten op de USB-oplaadpoort.

De externe USB-lader kan worden gebruikt op contactdozen van type C of BF door de stekker te vervangen.

Zie Figuur 18, pagina A-5.

ATTENTIE

Houd bij het opladen rekening met de volgende punten.

- Vermijd het gebruik in ruimten waar stof gemakkelijk in de oplaadpoort kan raken.
- De motor absoluut stilleggen alvorens de externe USB-lader aan te sluiten op de USB-oplaadpoort.
- Zorg ervoor dat de USB-oplaadpoort en de externe USB-lader niet nat worden door een vloeistof.

1. Verwijder het rubber deksel van de USB-oplaadpoort en sluit de externe USB-lader aan op een contactdoos.
Contactdoos 100–240 VAC: type C of BF
2. Sluit de USB-stekker van de externe USB-lader aan op de USB-oplaadpoort.
3. De accu-indicator begint te knippen en daarna start het opladen. Wanneer de accu-indicator oplicht, is de accu volledig opgeladen.
4. Na het opladen de externe USB-lader afkoppelen van de motor en van de contactdoos.

5. Het rubber deksel op de USB-oplaadpoort plaatsen.

ATTENTIE

- *Het rubber deksel stevig op de USB-oplaadpoort aanbrengen na opladen. Zonder het rubber deksel erop kan de USB-oplaadpoort roesten, waardoor opladen onmogelijk wordt.*
- *Bij het starten van de motor, zich ervan vergewissen dat de externe USB-lader afgekoppeld is van de motor, alvorens de motor te starten. Behalve de externe USB-lader die in het pakket wordt meegeleverd kan ook een lader uit de handel (zoals een lader voor smartphones) worden gebruikt. De garantie dekt:*
 - Type: USB micro B
 - Norm: USB BC1.2
 - Product met CE-certificaat

HANDIGE TIPS & SUGGESTIES

UW MOTOR STALLEN

Vorbereiding op stalling

Correct stallen is van groot belang om uw motor in storingsvrije conditie te houden en er goed te laten uitzien. Met de volgende stappen voorkomt u dat roest en corrosie de werking en de aanblik van uw motor verslechteren en zal de motor de volgende keer weer gemakkelijk starten.

Reinigen

Als de motor heeft gedraaid, laat dan minstens een half uur afkoelen voordat u gaat reinigen. Reinig de motor aan de buitenzijde, werk beschadigde lak bij en smeer andere gedeelten die kunnen roesten licht in met olie.

ATTENTIE

Door te reinigen met water uit een tuinslang of met een hogedrukreiniger, kan er water in het luchtfilter of in de uitlaatdemperopening dringen. Water in het luchtfilter wordt opgezogen door het luchtfilterelement en water dat zo het luchtfilter of de uitlaatdemper passeert kan in de cilinder terechtkomen en schade veroorzaken.

Brandstof

ATTENTIE

Afhankelijk van de regio waar u de apparatuur gebruikt, kan de samenstelling van de brandstof snel verslechteren en oxideren. Verslechtering en oxidatie van de brandstof kunnen al binnen 30 dagen optreden en kunnen schade veroorzaken aan de carburateur en/of het brandstofsysteem. Raadpleeg uw onderhoudsdealer voor aanbevelingen voor opslag.

Benzine zal tijdens stalling oxyderen en gaat dan kwalitatief achteruit. Met slechte benzine zal de motor moeilijk starten en blijft er een harsaanslag achter die het brandstofsysteem kan verstoppelen. Als de kwaliteit van de benzine in uw motor tijdens stalling achteruitgaat, is mogelijk extra onderhoud nodig aan de carburateur of andere onderdelen van het brandstofsysteem of moeten deze worden vervangen.

De tijdsduur dat benzine in uw brandstoftank en carburator kan gelaten worden, zonder functionele problemen te veroorzaken, hangt van verschillende factoren af zoals: benzinemenging, opslagtemperatuur, en of de tank gedeeltelijk of volledig gevuld is. De lucht in een gedeeltelijke gevulde brandstoftank bevordert brandstofverval. Warme opslagtemperaturen versnellen het brandstofverval. Brandstofverval kan binnen de 30 dagen voorkomen vanaf het houden van brandstof in de brandstoftank, of zelf minder als de brandstof niet vers was wanneer u de brandstoftank vulde.

Schade aan het brandstofsysteem om problemen met de prestatie van de motor die voortvloeien uit het niet-naleven van de opslagvoorbereiding vallen niet onder de garantie.

Brandstoftank en carburateur aftappen

Zie Figuur 17, pagina A-5.

WAARSCHUWING

Benzine is een uiterst licht ontvlambare en explosieve stof.

U kunt brandwonden of ernstig letsel oplopen in de omgang met brandstof.

- Zet de motor uit en laat hem afkoelen voordat u met benzine omgaat.
- Houd warmte, vonken en vlammen uit de buurt.
- Vul de tank uitsluitend buiten.
- Blijf op afstand van uw voertuig.
- Verwijder gemorste brandstof onmiddellijk.

1. Tap de benzine in de tank en de carburateur af in een geschikte opvangbak voor benzine.
2. Draai de brandstofkraan naar de stand AAN en draai de carburateuraftapbout los door deze 1 tot 2 slagen linksom te draaien.
3. Als alle brandstof is afgetapt, draait u de carburateuraftapbout stevig vast en draait u de brandstofkraan in de stand UIT.
4. Als u de carburateur niet kunt aftappen, tapt u de brandstoftank met een gewone handpomp leeg in een hiervoor geschikte opvangbak voor benzine. Gebruik geen elektrische pomp. Laat de motor draaien totdat deze stopt vanwege een gebrek aan brandstof.

Motorolie

1. Ververs de motorolie (zie pagina 5).
2. Verwijder de bougie (zie pagina 6).
3. Giet een theelepeltje (5-10 cm³) schone motorolie in de cilinder.
4. Activeer de starter enkele keren.
5. Breng de bougie weer aan.
6. Smeer corrosiegevoelige onderdelen licht in met olie. Dek de motor af om stof buiten te houden.

Voorzorgen bij stalling

Als u uw motor stalt met benzine in de brandstoftank en de carburateur, moet het risico op ontbranding van benzinedamp zoveel mogelijk worden tegengegaan. Kies een goed geventileerde stallingruimte, op ruime afstand van apparatuur met open vuur zoals een fornuis, een waterverwarmer of een kledingdroger. Vermijd ook een plek met een elektromotor die vonken produceert of waar elektrisch gereedschap wordt gebruikt.

Als de accu niet correct wordt behandeld bij het stallen van de motor, kunnen de prestaties van de accu en de levensduur ervan achteruit gaan. Het wordt aangeraden om de motor op te slaan bij 5 tot 40 °C.

Vermijd opslagplaatsen met hoge temperaturen boven 40 °C en hoge vochtigheidsgraad, en opslag in een omgeving met sterke temperatuurschommelingen. Beschutten tegen direct zonlicht, regen en dauw.

Opslagplaatsen met hoge vochtigheidsgraad kunnen oorzaak zijn van roest en corrosie. Opslag bij hoge temperaturen kan de levensduur van de accu verminderen.

Zet de motor om te stallen horizontaal neer. Door te kantelen kan er brandstof- of olie lekkage ontstaan.

Dek de motor af nadat de motor en het uitlaatsysteem zijn afgekoeld, om stof buiten te houden. Een warme motor en uitlaatsysteem kan sommige materialen doen ontbranden of smelten. Gebruik geen plastic folie als afdekking tegen stof.

Onder zo'n niet-doorlatende afdekking blijft vocht rondom de motor achter en verloopt roestvorming en corrosie sneller.

Bij het opslaan van de motor, de remhendel van de door de motor aangedreven apparatuur in de geloste stand zetten.

Als de motor gedurende meer dan 1 maand moet worden opgeslagen, valt het aan te raden de accu eerst op te laden tot de indicator oplicht.

Uit stalling nemen

Controleer uw motor zoals beschreven in de paragraaf *GEBRUIKSCONTROLES VOORAF* in deze handleiding (zie pagina 2).

Als u de brandstof heeft afgetapt ter voorbereiding op stalling, vul de tank dan weer met nieuwe benzine. Als u een benzinevat gebruikt om bij te tanken, zorg dan dat deze altijd alleen nieuwe benzine bevat. Na verloop van tijd oxydeert benzine en verslechtert de kwaliteit, waardoor starten wordt bemoeilijkt.

Als de cilinder ter voorbereiding op stalling werd geolied, zal de motor kort roken bij de eerste start. Dat is normaal.

VERVOER

Als de motor heeft gedraaid, laat dan eerst minstens 15 minuten afkoelen voordat u de motor op het transportvoertuig zet. Een hete motor en uitlaatsysteem kunnen brandwonden veroorzaken en materialen doen ontbranden.

Houd de motor bij het transporteren waterpas, om het risico op brandstoflekkage te beperken. Plaats de brandstofhendel op de UIT stand.

Zie Figuur 1, pagina A-2.

ONVERWACHT PROBLEEM OPLOSSEN**MOTOR WIL NIET STARTEN**

Mogelijke oorzaak	Correctie
Brandstofkraan in de stand UIT.	Zet de hendel in de stand AAN.
Choke open (sommige uitvoeringen).	Zet de hendel in de stand GESLOTEN, behalve als de motor warm is.
De bedieningshendel staat niet in de juiste stand (sommige uitvoeringen).	Zet de hendel in de juiste stand.
Vliegwielmhendel in de GEACTIONEERDE stand (sommige uitvoeringen).	Zet de hendel in de stand ONTGRENDELD.
Geen brandstof.	Vul brandstof bij (p. 4).
Slechte brandstof; motor gestald zonder voorbereiding of aftappen van brandstof, of bijgevoerd met slechte brandstof.	Tap de brandstoftank en de carburateur af (p. 7). Vul bij met nieuwe brandstof (p. 4).
Verkeerde bougie, vervuild of foutieve elektrodenafstand.	Vervang de bougie of stel elektrodenafstand opnieuw af (p. 6).
Bougie nat door brandstof (motor verzopen).	Droog de bougie en breng deze weer aan.
Brandstoffilter verstopt, defect in carburateur, defect ontstekingsstelsel, hangende kleppen, enz.	Breng de motor naar uw onderhoudsdealer of raadpleeg het werkplaatshandboek.

MOTOR HEEFT GEEN VERMOGEN

Mogelijke oorzaak	Correctie
Filterelement verstopt.	Reinig of vervang het filterelement (p. 5).
Slechte brandstof; motor gestald zonder voorbereiding of aftappen van brandstof, of bijgevoerd met slechte brandstof.	Tap de brandstoftank en de carburateur af (p. 7). Vul bij met nieuwe brandstof (p. 4).
Brandstoffilter verstopt, defect in carburateur, defect ontstekingsstelsel, hangende kleppen, enz.	Breng de motor naar uw onderhoudsdealer of raadpleeg het werkplaatshandboek.

STARTER DRAAIT NIET

Mogelijke oorzaak	Correctie
Spanning van de accu te laag.	Laad de accu op, als de accu-indicator niet oplicht of knippert wanneer de remhendel van de apparatuur aangedreven door deze motor wordt aangehaald (p. 2).
Defecte kabelboom, starter, accu.	Breng de motor naar uw onderhoudsdealer of raadpleeg het werkplaatshandboek.

DE ACCU KAN NIET EXTERN WORDEN OPGELADEN

Mogelijke oorzaak	Correctie
Slechte verbinding.	Controleren of de aansluiting correct is.
Externe lader defect.	Breng de externe lader naar uw onderhoudsdealer of raadpleeg het werkplaatshandboek.
Defecte kabelboom, accu, accu-indicator.	Breng de motor naar uw onderhoudsdealer of raadpleeg het werkplaatshandboek.

TECHNISCHE INFORMATIE**Locatie serienummer**

Zie pagina A-1.

Noteer het motorserienummer in de ruimte hieronder. U heeft deze informatie nodig bij het bestellen van onderdelen en bij vragen over technische kwesties of over de garantie.

Motorserienummer: _____

Motortype: _____

Aanschafdatum: ____ / ____ / ____

Carburateurmodificaties voor werking op grotere geografische hoogte

Op grotere geografische hoogte is het lucht/brandstof mengsel van de standaardcarburateur te rijk. Dit veroorzaakt zowel een verlies van het vermogen als een hoger brandstofverbruik. Als het mengsel erg rijk is, raakte ook de bougie vervuild en zal de motor moeilijker starten. Bij langdurig gebruik op een afwijkende geografische hoogte dan waarvoor deze motor is gecertificeerd, kan de emissie toenemen.

De werking op grotere geografische hoogte kan worden verbeterd door specifieke modificaties aan de carburateur. Als u uw motor altijd gebruikt op een hoogte boven 610 meter, laat deze carburateurmodificatie dan uitvoeren door uw onderhoudsdealer. Als u deze motor op grotere hoogten gebruikt na de daarvoor bedoelde carburateurmodificatie, zal gedurende de gehele levensduur aan de emissienorm worden voldaan.

Ook met de carburateurmodificatie neemt het motorvermogen af met ca. 3,5% per elke 300 meter toename in hoogte. De geografische hoogte werkt echter extra nadelig voor het motorvermogen zonder deze carburateurmodificatie.

ATTENTIE

Als de carburateur is gewijzigd voor gebruik op grotere geografische hoogte, is het lucht/brandstofmengsel te arm voor gebruik op lagere hoogten. Als u een gewijzigde carburateur gebruikt beneden 610 meter, kan de motor oververhit raken en kan er ernstige motorschade ontstaan. Laat bij gebruik op lagere hoogten uw onderhoudsdealer de carburateur weer wijzigen volgens de originele fabrieksspecificaties.

Informatie over het emissieregelsysteem

Garantie voor uw emissieregelsysteem

Uw nieuwe Honda voldoet aan de emissievoorschriften van zowel de Amerikaanse EPA als de staat Californië. American Honda biedt dezelfde emissiegarantiedekking voor Honda Power Equipment-motoren die in alle 50 staten worden verkocht. Uw Honda Power Equipment-motor is ontworpen, gebouwd en uitgerust om te voldoen aan de emissienormen voor vonkontstekingsmotoren van zowel de Amerikaanse EPA als het California Air Resources Board.

Garantie

Honda Power Equipment-motoren die zijn gecertificeerd volgens de CARB- en EPA-voorschriften zijn gegarandeerd vrij van gebreken in materiaal en uitvoering die tot gevolg hebben dat de motor niet voldoet aan de toepasselijke EPA- en CARB-emissienormen gedurende een periode van minimaal 2 jaar of de duur van de beperkte *garantie van Honda Power Equipment-distributeur*, welke het langst duurt, vanaf de oorspronkelijke datum van levering aan de eerste eigenaar. Deze garantie kan worden overgedragen op elke volgende eigenaar voor de duur van de garantieperiode. Garantiereparaties zullen worden uitgevoerd zonder kosten voor diagnose, onderdelen en arbeid. Neem voor informatie over het indienen van een garantieclaim en een beschrijving van het indienen van een claim en/of het verkrijgen van service contact op met een erkende Honda Power Equipment-dealer of met American Honda op een van de volgende manieren:

E-mail: powerequipmentemissions@ahm.honda.com

Telefoon: (888) 888-3139

Deze garantie heeft betrekking op alle componenten waarvan een defect resulteert in een verhoging van de emissies van enige aan voorschriften onderworpen vervuilende stof of verdampingsemissies. Het afzonderlijk bijgevoegde emissiegarantiedocument bevat een overzicht van de specifieke componenten. Het emissiegarantiedocument bevat ook de specifieke garantievoorwaarden, de omvang van de dekking, beperkingen en de procedure voor het verkrijgen van garantieservice. Het emissiegarantiedocument is ook beschikbaar op de website van Honda Power Equipment of via de volgende koppeling:

<http://powerequipment.honda.com/support/warranty>

Emissiebronnen

Het verbrandingsproces produceert koolmonoxide, oxides van stikstof, en koolwaterstoffen. De beperking van de uitstoot van koolwaterstoffen en stikstofoxides is erg belangrijk, omdat deze bij bepaalde omstandigheden onder invloed van zonlicht fotochemische smog vormen. Koolmonoxide reageert niet op deze manier, maar is giftig.

Honda gebruikt de juiste lucht-/brandstofverhoudingen en andere emissieregelsystemen om de emissie van koolmonoxide, stikstofoxiden en koolwaterstoffen te beperken.

Daarnaast gebruiken Honda brandstofsysteem componenten en regeltechnieken die dampemissies terugdringen.

De wetgeving op luchtverontreiniging in de Verenigde Staten en in de staat Californië en de milieuwetgeving in Canada

en de Amerikaanse EPA (Environmental Protection Agency) verplicht alle fabrikanten om schriftelijke instructies op te stellen die de werking en het onderhoud aan emissieregelsystemen beschrijven.

De volgende instructies en procedures moeten worden opgevolgd om te zorgen dat de emissie van uw Honda motor aan de emissienormen voldoet.

Onkundig gesleutel en wijzigingen

ATTENTIE

Ondeskundig sleutelen vormt een overtreding van de wetgeving van de federale staat van Californië.

Door onkundig sleutelen aan of wijzigen van het emissieregelsysteem kan de emissie toenemen tot boven de wettelijk toegestane grenswaarde. Onder onkundig gesleutel wordt o.a. verstaan:

- Het verwijderen of wijzigen van delen van het inlaat-, brandstof- of uitlaatsysteem.
- Het wijzigen of buiten werking stellen van het regelmechanisme of toerentalverstelmechanisme waardoor de motor kan functioneren buiten de originele ontwerpparameters.

Problemen die emissie kunnen beïnvloeden

Als u een van de volgende symptomen opmerkt, laat uw motor dan inspecteren en repareren door uw onderhoudsdealer.

- Moeilijk starten of afslaan na het starten.
- Slecht stationair lopen.
- Overslaan of terugslaan onder belasting.
- Naverbranding (terugslaan).
- Zwarte rook uit de uitlaat of een hoog brandstofverbruik.

Vervangingsonderdelen

De emissieregelsystemen van uw nieuwe Honda-motor zijn ontworpen, gebouwd en gecertificeerd om te voldoen aan de emissienormen van de Amerikaanse EPA, de staat Californië en Canada. Wij raden aan om bij alle onderhoud originele Honda-onderdelen te gebruiken. Deze door Honda ontworpen vervangingsonderdelen zijn geproduceerd volgens dezelfde normen als de originele onderdelen, zodat u kunt vertrouwen op een goede werking. Honda kan geen emissiegarantiedekking afwijzen enkel op grond van het gebruik van andere dan Honda-vervangingsonderdelen of het uitvoeren van onderhoud op een andere locatie dan een erkende Honda-dealer. U mag vergelijkbare EPA-gecertificeerde onderdelen gebruiken en onderhoud laten uitvoeren bij andere dan Honda-locaties. Het gebruik van vervangingsonderdelen van een ander ontwerp of mindere kwaliteit kan de werking van uw emissieregelsysteem echter nadelig beïnvloeden.

De fabrikant van een los verkrijgbaar onderdeel is ervoor verantwoordelijk dat het onderdeel de emissieprestaties niet nadelig beïnvloedt. De fabrikant van het onderdeel of het revisiebedrijf moet aantonen dat het gebruik van het onderdeel niet betekent dat de motor niet meer aan de emissienormen kan voldoen.

Onderhoud

Als eigenaar van de Power Equipment-motor bent u verantwoordelijk voor de uitvoering van al het in uw instructiehandleiding aangegeven onderhoud. Honda raadt u aan om alle onderhoudsfacturen met betrekking tot uw Power Equipment-motor te bewaren, maar Honda kan geen garantiedekking afwijzen op grond van het uitsluitend ontbreken van onderhoudsfacturen of het niet zorgen voor uitvoering van al het geplande onderhoud. Volg het ONDERHOUDSSHEMA op pagina 4.

Let erop dat dit schema is gebaseerd op de veronderstelling dat uw motor wordt gebruikt voor het doel waarvoor deze is ontworpen. Bij langdurige hoge belasting of gebruik bij hoge temperaturen of in stoffige omstandigheden moet uw motor vaker worden onderhouden.

Air Index (luchtindex)

(Uitvoeringen die zijn goedgekeurd voor verkoop in Californië)

Een label met luchtindexinformatie (Air Index Information) is bevestigd aan motoren die zijn gecertificeerd voor een emissieduurzaamheidsperiode overeenkomstig de eisen van de California Air Resources Board (Californisch instituut voor schone lucht).

De staaftafel is bedoeld om u, onze klant, in staat te stellen de emissie van de verkrijgbare motoren met elkaar te vergelijken. Hoe lager de Air Index, hoe minder uitstoot.

De duurzaamheidsbeschrijving is bedoeld om u te informeren over de duurzaamheid van de motoremissie. De beschrijvende term geeft de nuttige gebruiksduur aan van het motoremissieregelsysteem. Zie uw *garantie voor het emissieregelsysteem* voor nadere informatie.

Beschrijvende term	Van toepassing op emissieduurzaamheidsperiode
Matig	50 uur (0–80 cc, inclusief) 125 uur (groter dan 80 cc)
Gemiddeld	125 uur (0–80 cc, inclusief) 250 uur (groter dan 80 cc)
Verlengd	300 uur (0–80 cc, inclusief) 500 uur (groter dan 80 cc) 1.000 uur (225 cc en groter)

De hangtag/het etiket met de Air Index Information (informatie over de luchtkwaliteit) moet op de motor blijven tot hij wordt verkocht. De hangtag verwijderen alvorens de motor in werking te stellen.

Specificaties

GCV145

Model	GCV145H
Beschrijvingscode	GJAMH
Lengte × breedte × hoogte	415 × 362 × 360,5 mm
Leeggewicht [gewicht]	11,8 kg
Motoruitvoering	4-takt, bovenliggende klep, enkele cilinder
Cilinderinhoud	145 cm ³
Boring × Slag	56,0 × 59,0 mm
Nettovermogen (conform SAE J1349*)	3,1 kW (4,2 PS) bij 3.600 omw./min
Max. nettokoppel (conform SAE J1349*)	9,1 N·m (0,93 kgf·m) bij 2.500 omw./min
Motorolie-inhoud	0,40 L
Brandstoftankinhoud	0,91 L
Koelsysteem	Geforceerde luchtkoeling
Ontstekingsstelsel	Magneetontsteking van het type transistor
Aftakasrotatie	Tegen de richting van de wijzers van de klok

GCV170

Model	GCV170H
Beschrijvingscode	GJANH
Lengte × breedte × hoogte	415 × 362 × 360,5 mm
Leeggewicht [gewicht]	11,8 kg
Motoruitvoering	4-takt, bovenliggende klep, enkele cilinder
Cilinderinhoud	166 cm ³
Boring × Slag	60,0 × 59,0 mm
Nettovermogen (conform SAE J1349*)	3,6 kW (4,9 PS) bij 3.600 omw./min
Max. nettokoppel (conform SAE J1349*)	11,1 N·m (1,13 kgf·m) bij 2.500 omw./min
Motorolie-inhoud	0,40 L
Brandstoftankinhoud	0,91 L
Koelsysteem	Geforceerde luchtkoeling
Ontstekingsstelsel	Magneetontsteking van het type transistor
Aftakasrotatie	Tegen de richting van de wijzers van de klok

GCV200

Model	GCV200H
Beschrijvingscode	GJAPH
Lengte × breedte × hoogte	415 × 362 × 360,5 mm
Leeggewicht [gewicht]	11,8 kg
Motoruitvoering	4-takt, bovenliggende klep, enkele cilinder
Cilinderinhoud	201 cm ³
Boring × Slag	66,0 × 59,0 mm
Nettovermogen (conform SAE J1349*)	4,2 kW (5,7 PS) bij 3.600 omw./min
Max. nettokoppel (conform SAE J1349*)	12,7 N·m (1,30 kgf·m) bij 2.500 omw./min
Motorolie-inhoud	0,40 L
Brandstoftankinhoud	0,91 L
Koelsysteem	Geforceerde luchtkoeling
Ontstekingsstelsel	Magneetontsteking van het type transistor
Aftakasrotatie	Tegen de richting van de wijzers van de klok

* Het nominale vermogen van de motor dat staat vermeld in dit document is het netto geleverd vermogen zoals getest aan een productiemotor voor het betreffende model, gemeten in overeenstemming met SAE J 1349 bij 3.600 omw./min (netto vermogen) en bij 2.500 omw./min (Max. netto koppel). Het geleverd vermogen van massaproductiemotoren kan hiervan afwijken. Het feitelijk geleverd vermogen voor de motor die uiteindelijk in de machine wordt ingebouwd, kan afhangen van talloze factoren, zoals het toerental van de motor in de praktijk, de omgevingsomstandigheden, het onderhoud en andere variabelen.

Afstelspecificaties GCV145/170/200

ITEM	SPECIFICATIE	ONDERHOUD
Bougieafstand	0,7–0,8 mm	Zie pagina 6
Stationair toerental	1.700±150 omw./min	-
Klepspel (in koude toestand)	IN: 0,10±0,02 mm UIT: 0,10±0,02 mm	Neem contact op met de officiële Honda-verdeler
Overige specificaties	Geen andere instellingen vereist.	

Beknopte informatie

Brandstof	Loodvrije benzine (zie pagina 4).	
	V.S.	Pompoctaangetal (PON) van 86 of hoger
	Uitgezonderd de V.S.	RON-octaangetal van 91 of hoger Pompoctaangetal (PON) van 86 of hoger
Motorolie	SAE 10W-30, API SE of later, voor algemeen gebruik. Zie pagina 5.	
Bougie	BPR5ES (NGK)	
Onderhoud	Voor ieder gebruik:	
	• Het oliepeil controleren. Zie pagina 5. • De luchtfilter controleren. Zie pagina 5.	
	De eerste 5 uur: De olie verversen. Zie pagina 5.	
	Daarna: Zie het onderhoudsschema op pagina 4.	

OPMERKING:

De specificaties kunnen verschillen naar gelang de uitvoering en kunnen zonder voorafgaandelijke aankondiging gewijzigd worden.

GEBRUIKERSINFORMATIE

Garantie en informatie over zoeken distributeur/dealer

Verenigde Staten, Puerto Rico en Amerikaanse Maagdeneilanden:
Ga naar www.honda-engines.com

Canada:

Bel (888) 9HONDA9 of ga naar www.honda.ca

Voor Europa:

Bezoek onze website: <http://www.honda-engines-eu.com>

KLANTENSERVICE-INFORMATIE

De onderhoudsmonteurs bij uw dealerverstiging zijn goed opgeleide vakmensen. Zij zullen vrijwel elke vraag waarmee u zit kunnen beantwoorden. Als u een probleem heeft dat uw dealer niet naar tevredenheid oplost, bespreek dit dan met het management van de dealerverstiging. De werkplaatsmanager, algemeen manager of de eigenaar kunnen u helpen.

Vrijwel alle problemen worden op deze wijze opgelost.

Verenigde Staten, Puerto Rico en Amerikaanse Maagdeneilanden:

Als u niet tevreden bent met een beslissing van het management van een dealerverstiging, neem dan contact op met de regiodealer voor Honda-motoren in uw gebied (Honda Regional Engine Distributor).

Als u ook na een gesprek met de regiodealer (Regional Engine Distributor) nog ontevreden bent, kunt u contact opnemen met het hieronder vermelde Honda-kantoor.

Overige delen van de wereld:

Als u niet tevreden bent met een beslissing van het management van de dealerverstiging, neem dan contact op met het vermelde Honda kantoor.

«Contact met Honda»

Als u schrijft of belt, geef dan de volgende informatie door:

- De naam van de fabrikant en het modelnummer van de apparatuur waaraan de motor is gemonteerd
- Motoruitvoering, serienummer en type (zie pagina 8)
- Naam van de dealer die de motor aan u verkocht
- Naam, adres en contactpersoon van de dealer die het onderhoud aan uw motor verricht
- Aanschafdatum
- Uw naam, adres en telefoonnummer
- Een gedetailleerde beschrijving van het probleem

Verenigde Staten, Puerto Rico en Amerikaanse Maagdeneilanden:

American Honda Motor Co., Inc.

Power Equipment Division
Customer Relations Office
4900 Marconi Drive
Alpharetta, GA 30005-8847

Of bel: (770) 497-6400, 8:30 - 19:00 uur (Eastern Time)

Canada:

Honda Canada, Inc.

Ga naar www.honda.ca
voor adresinformatie

Telefoon: (888) 9HONDA9 Gratis nummer (bij bellen vanuit Canada)
(888) 946-6329

Fax: (877) 939-0909 Gratis nummer (bij bellen vanuit Canada)

Voor Europa:

Honda Motor Europe Logistics NV. European Engine Center

<http://www.honda-engines-eu.com>

Overige delen van de wereld:

Neem contact op met de Honda dealer in uw gebied voor assistentie.

Internationale garantie voor Honda algemeen-gebruik motoren

De Honda algemeen-gebruik motor die op dit merkproduct is gemonteerd is gedekt door een Honda-garantie voor algemeen-gebruik motoren, waarbij het volgende in acht moet worden genomen:

- De garantievoorwaarden voldoen aan die voor de algemeen-gebruik motoren opgesteld door Honda voor ieder land.
- De garantievoorwaarden zijn van toepassing op motordefecten die veroorzaakt zijn door fabricage- of specificatiefouten.
- De garantie geldt niet in landen waar geen Honda distributeur is.

Om garantieservice te verkrijgen:

Breng uw Honda algemeen-gebruik motor, of de apparatuur waarin deze is geïnstalleerd, samen met bewijs van de datum van de oorspronkelijke winkelaankoop naar een Honda-motordealer die bevoegd is om het betreffende product in uw land te verkopen of de dealer bij wie u het product hebt gekocht. Ga om een Honda-distributeur of -dealer bij u in de buurt te vinden of de garantievoorwaarden voor uw land te bekijken naar onze wereldwijde service-informatiewebsite <https://www.hpsv.com/ENG/> of neem contact op met de distributeur voor uw land.

Uitsluitingen:

Deze motorgarantie geldt niet voor het volgende:

- Enige schade of achteruitgang die het gevolg is van:
 - Verwaarlozing van het periodieke onderhoud zoals omschreven in de gebruikshandleiding van de motor
 - Onjuist uitgevoerde reparatie of onderhoud
 - Andere bedieningsmethoden dan beschreven in de gebruikshandleiding van de motor
 - Schade die is veroorzaakt door het product waarop de motor is geïnstalleerd
 - Schade die is veroorzaakt door aanpassing voor, of het gebruik van, andere brandstof(fen) dan waarvoor de motor oorspronkelijk werd gefabriceerd, zoals aangegeven in de gebruikshandleiding en/of het garantieboekje van de motor
 - Het gebruik van niet-originele Honda-onderdelen en -accessoires, anders dan die goedgekeurd door Honda (anders dan aanbevolen smeermiddelen en vloeistoffen) (niet van toepassing op de emissiegarantie tenzij het gebruikte niet-originele onderdeel niet vergelijkbaar is met het Honda-onderdeel en oorzaak was van de storing)
 - Blootstelling van het product aan roet en rook, chemische stoffen, vogeluitwerpselen, zeewater, zeewind, zout of andere milieuverschijnselen
 - Botsing, vervuiling of achteruitgang van brandstof, verwaarlozing, onbevoegde wijziging of misbruik
 - Natuurlijke slijtage (natuurlijke verkleuring van gelakte of beklede oppervlakken, afschilferen en andere natuurlijke achteruitgang)
- Verbruiksonderdelen: Honda geeft geen garantie op achteruitgang van onderdelen als gevolg van normale slijtage. De hieronder vermelde onderdelen vallen niet onder de garantie (tenzij ze nodig zijn als onderdeel van een andere garantiereparatie):
 - Bougie, brandstoffilter, luchtfilterelement, koppelingsschijf, startkoord
 - Smeermiddelen: olie en vet
- Reiniging, afstelling en normaal periodiek onderhoudswerk (carburetuurreiniging en aftappen van de motorolie).
- Gebruik van de Honda algemeen-gebruik motor voor racen of competitie.
- Enige motor die onderdeel is van een product dat ooit total loss is verklaard of voor recuperatiedoeleinden is verkocht door een financiële instelling of verzekeraar.

Over het SERVICE & SUPPORT-label

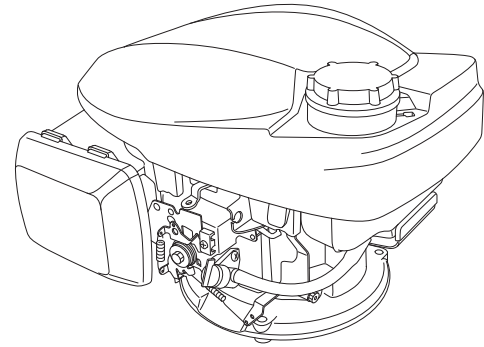
Mogelijk hangt er een SERVICE & SUPPORT-label* aan uw Honda-benzinemotor voor algemeen gebruik. Door het scannen van de QR-code op dit label wordt u doorgestuurd naar onze website, waar u informatie over het onderhoud van de motor kunt vinden.
* Dit label is niet op alle modellen bevestigd.



https://www.hondapps.com/ENG/QR/GCV145_170_200/

HONDA

MANUALE DELL'UTENTE GCV145 · GCV170 · GCV200

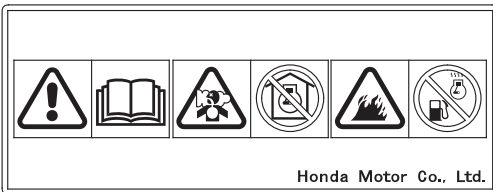


• L'illustrazione è soggetta a cambiamenti a seconda del tipo.

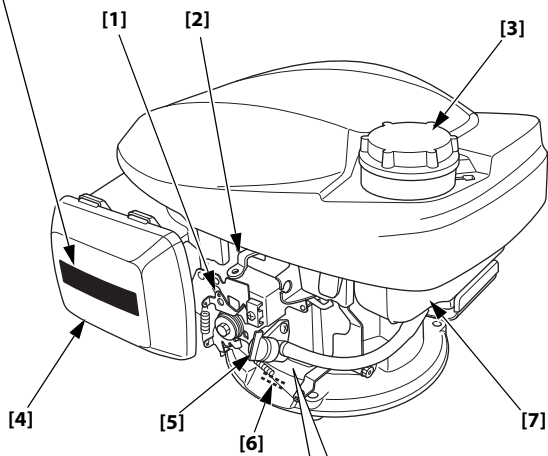
⚠ AVVERTENZA

Gli scarichi del motore di questo prodotto contengono sostanze chimiche che nello Stato della California sono riconosciute come cancerogene, come causa di difetti congeniti o di danni a livello riproduttivo.

POSIZIONE DELL'ETICHETTA DI SICUREZZA / POSIZIONI DEI COMPONENTI E DEI COMANDI



Tipo con comando dell'aria manuale
(Tipo senza LEVA DELL'ARIA)
(tipi applicabili)



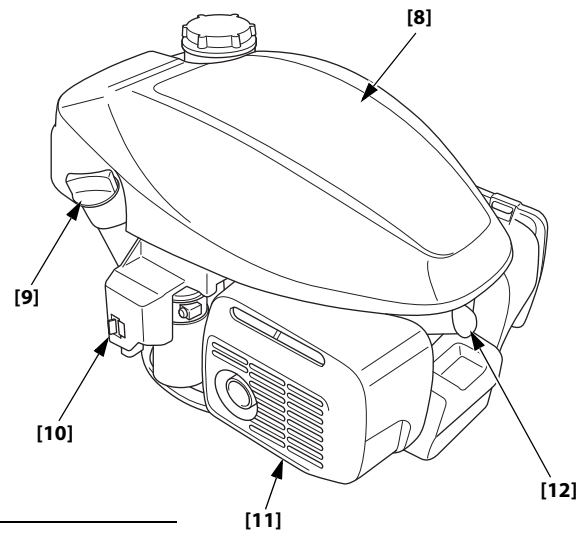
Leggere il manuale d'uso prima dell'uso.



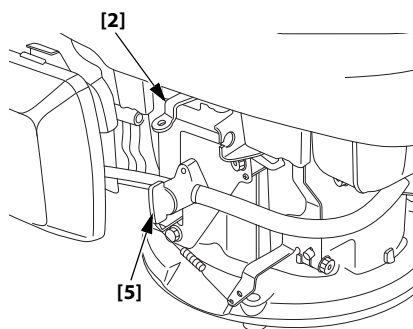
Il motore rilascia monossido di carbonio che è un gas tossico velenoso. Non azionare in un luogo chiuso.



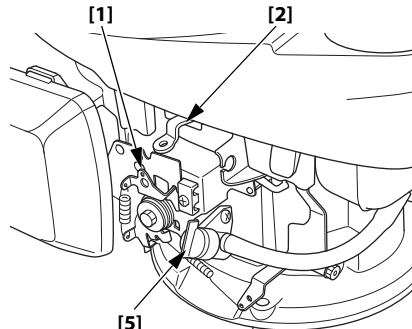
La benzina è estremamente infiammabile ed esplosiva. Spegnerne il motore e lasciarlo raffreddare prima di effettuare il rifornimento.



Tipo con comando dell'aria automatico
(Tipo con ACCELERATORE FISSO)
(tipi applicabili)



Tipo con comando dell'aria automatico
(Tipo con ACCELERATORE MANUALE)
(tipi applicabili)



- [1] LEVA DI COMANDO (tipi applicabili)
- [2] LEVA DEL FRENO VOLANO (tipi applicabili)
- [3] TAPPO SERBATOIO CARBURANTE
- [4] FILTRO ARIA
- [5] LEVA VALVOLA CARBURANTE
- [6] NUMERO DI SERIE E TIPO DI MOTORE
- [7] SERBATOIO CARBURANTE
- [8] COPERTURA SUPERIORE
- [9] TAPPO DI RIEMPIMENTO OLIO
- [10] PORTA DI CARICA USB
- [11] MARMITTA
- [12] CANDELA

ITALIANO

INTRODUZIONE

Vi ringraziamo per l'acquisto di un motore Honda. Desideriamo aiutarvi ad ottenere i migliori risultati e ad azionare con sicurezza il vostro nuovo motore. Questo manuale contiene informazioni su come farlo: vi preghiamo di leggerlo con attenzione prima di azionare il motore. In caso di problemi o domande, rivolgersi al concessionario.

Tutti i dati contenuti in questa pubblicazione si basano sulle informazioni più aggiornate sul prodotto disponibili al momento della stampa. La Honda Motor Co., Ltd. si riserva il diritto di apportare modifiche in qualsiasi momento senza preavviso e senza incorrere in alcun obbligo. La riproduzione totale o parziale di questa pubblicazione senza permesso scritto è vietata.

Questo manuale deve essere considerato parte integrante del motore e deve essere accluso allo stesso in caso di successiva rivendita.

Consigliamo di leggere la polizza di garanzia per comprendere a fondo la copertura offerta e le responsabilità derivanti dalla proprietà.

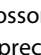
Riesaminare le istruzioni fornite a corredo dell'apparecchiatura alimentata da questo motore per ulteriori informazioni riguardanti l'avviamento, lo spegnimento, il funzionamento, le regolazioni o eventuali istruzioni specifiche di manutenzione del motore stesso.

INDICE

MESSAGGI DI SICUREZZA	1	CONSIGLI E SUGGERIMENTI UTILI	7
INFORMAZIONI DI SICUREZZA	1	RIMESSAGGIO DEL MOTORE	7
CONTROLLI PRIMA DELL'USO	2	TRASPORTO	8
FUNZIONAMENTO	2	TRATTAMENTO DEI PROBLEMI	
PRECAUZIONI PER UN USO		IMPREVISTI	8
SICURO	2	INFORMAZIONI TECNICHE	8
AVVIO DEL MOTORE	2	INFORMAZIONI PER	
ARRESTO DEL MOTORE	3	L'UTILIZZATORE	11
MANUTENZIONE DEL MOTORE	4	Garanzia e informazioni per	
IMPORTANZA DELLA		l'individuazione di un	
MANUTENZIONE	4	distributore/concessionario	11
SICUREZZA DURANTE LA		Informazioni sull'assistenza	
MANUTENZIONE	4	clienti	11
PRECAUZIONI DI SICUREZZA	4		
PROGRAMMA DI			
MANUTENZIONE	4		
RIFORNIMENTO	4		
OLIO MOTORE	5		
FILTRO DELL'ARIA	5		
CANDELA	6		
PARAFIAMMA	6		
CARICA BATTERIA	6		

MESSAGGI DI SICUREZZA

La sicurezza, propria ed altrui, riveste estrema importanza. Sia il manuale che il motore sono provvisti di importanti messaggi di sicurezza. Leggere tali messaggi con attenzione.

Un messaggio di sicurezza avvisa della presenza di potenziali pericoli che possono provocare lesioni a sé e ad altri. Ciascun messaggio di sicurezza è preceduto dal simbolo di allarme  e da uno dei tre termini seguenti: PERICOLO, AVVERTENZA o ATTENZIONE.

Il significato di questi termini è il seguente:

PERICOLO

Il mancato rispetto delle istruzioni PROVOCHERÀ la MORTE o GRAVI LESIONI PERSONALI.

AVVERTENZA

Il mancato rispetto delle istruzioni POTREBBE provocare la MORTE o GRAVI LESIONI PERSONALI.

ATTENZIONE

Il mancato rispetto delle istruzioni POTREBBE provocare LESIONI PERSONALI.

Ogni singolo messaggio spiega il tipo di pericolo, cosa può succedere e cosa si può fare per evitare o ridurre i danni.

MESSAGGI DI PREVENZIONE DEI DANNI

Esistono inoltre altri importanti messaggi preceduti dal termine AVVISIO.

Il significato di questo termine è il seguente:

AVVISIO

Il mancato rispetto delle istruzioni potrebbe provocare danni al motore o ad altre proprietà.

Lo scopo di tali messaggi è quello di aiutare a prevenire danni al motore, ad altre proprietà o all'ambiente.

INFORMAZIONI DI SICUREZZA

- È essenziale comprendere il funzionamento di tutti i comandi e sapere come arrestare rapidamente il motore in caso di emergenza. Assicurarsi che l'operatore riceva l'addestramento adeguato prima di azionare l'apparecchiatura.
- Non consentire ai bambini di azionare il motore. Tenere a distanza i bambini e gli animali domestici durante il funzionamento.
- Gli scarichi del motore contengono monossido di carbonio che è una sostanza velenosa. Non azionare il motore in assenza della ventilazione adeguata e, in ogni caso, mai al chiuso.
- Il motore e il tubo di scarico si surriscaldano molto durante l'utilizzo. Mantenere il motore ad almeno un metro di distanza da edifici e da altri apparecchi durante l'utilizzo. Mantenere lontani i materiali infiammabili, e non collocare nulla sul motore mentre è in funzione.

Smaltimento



Per proteggere l'ambiente non gettare il prodotto, la batteria, ecc. in modo inadeguato, introducendolo nella spazzatura. Rispettare le leggi e le normative legali oppure contattare il rivenditore autorizzato delle apparecchiature (per es. tosaerba) per lo smaltimento.

POSIZIONE DELL'ETICHETTA DI SICUREZZA

Vedere pagina A-1.

Questa etichetta avvisa di pericoli potenziali che possono causare lesioni gravi. Leggerla con attenzione.

Se l'etichetta si stacca o diventa illeggibile, rivolgersi al concessionario di servizio Honda per la sua sostituzione.

POSIZIONI DEI COMPONENTI E DEI COMANDI

Vedere pagina A-1.

CONTROLLI PRIMA DELL'USO

È PRONTO PER FUNZIONARE IL MOTORE?

Per la propria sicurezza, per garantire la conformità alle normative ambientali e per massimizzare la vita utile dell'apparecchiatura, è estremamente importante dedicare alcuni istanti alla verifica delle condizioni del motore prima dell'accensione del motore. Occuparsi dei problemi eventualmente individuati, o farli correggere dal concessionario, prima di azionare il motore.

⚠ AVVERTENZA

Se non si esegue la corretta manutenzione di questo motore o non si corregge un problema prima di utilizzarlo, si rischiano guasti significativi.

Alcuni problemi di funzionamento possono provocare ferimenti gravi o mortali.

Eseguire sempre i controlli appropriati prima di ogni uso e risolvere gli eventuali problemi riscontrati.

Prima di incominciare i controlli prima dell'uso, accertarsi che il motore sia in piano e spento.

Controllare sempre i seguenti elementi prima di avviare il motore:

Controllare lo stato generale del motore

1. Guardare attorno e sotto il motore alla ricerca di tracce di perdite d'olio o di benzina.
2. Togliere sporco o detriti in eccesso, soprattutto attorno alla marmitta e alla copertura superiore.
3. Ricercare tracce di danni.
4. Controllare che tutte le protezioni e le coperture siano in posizione e che tutti i dadi, i bulloni e le viti siano serrati.

Controllare il motore

1. Controllare il livello del carburante (vedere a pagina 4). Effettuando l'avviamento a serbatoio pieno si contribuisce ad eliminare o ridurre le interruzioni del lavoro dovute ai rifornimenti.
2. Controllare il livello dell'olio motore (vedere a pagina 5). Azionando il motore con un livello dell'olio basso si rischia di danneggiarlo.
3. Controllare l'elemento filtrante dell'aria (vedere a pagina 5). Un elemento filtrante dell'aria sporco limiterà il flusso dell'aria verso il carburatore, riducendo le prestazioni del motore.
4. Controllare la quantità di carica della batteria (vedere pagina 6).
5. Controllare l'apparecchiatura alimentata da questo motore.

Riesaminare le istruzioni fornite a corredo dell'apparecchiatura alimentata da questo motore per eventuali precauzioni e procedure da seguire prima dell'avviamento del motore.

FUNZIONAMENTO

PRECAUZIONI PER UN USO SICURO

Prima di azionare il motore per la prima volta, riesaminare la sezione INFORMAZIONI DI SICUREZZA a pagina 1 e CONTROLLI PRIMA DELL'USO a pagina 2.

Pericoli provocati dal monossido di carbonio

Per la propria sicurezza, non azionare il motore in un ambiente chiuso quale un box. I gas di scarico del motore contengono monossido di carbonio, un gas velenoso che può rapidamente saturare un ambiente chiuso e causare disturbi o risultare letale.

⚠ AVVERTENZA

I gas di scarico contengono monossido di carbonio, un gas velenoso che in ambienti chiusi può raggiungere livelli nocivi.

Respirare monossido di carbonio può portare alla perdita di conoscenza o alla morte.

Non accendere il motore in un ambiente chiuso o in un'area parzialmente chiusa.

Riesaminare le istruzioni fornite a corredo dell'apparecchiatura alimentata da questo motore per eventuali precauzioni da seguire in occasione dell'avviamento, spegnimento o azionamento del motore.

Non azionare il motore in pendenze superiori a 15° (26%).

Gestione batteria

AVVISO

Se non si rispettano le istruzioni riportate di seguito, si può verificare cortocircuito, generazione di calore, incendio, iniezione di gas e perdita di liquido.

- Non smontare e non apportare modifiche alla batteria.
- Non esercitare forti urti, evitare di farla cadere o di posizionare oggetti pesanti sopra di essa.
- Se la batteria cade in acqua, dismettere l'uso della stessa.
- Non togliere la targhetta applicata sulla parte alta della batteria.

⚠ ATTENZIONE

Se durante l'uso, la conservazione, il caricamento della batteria si verificano alcuni problemi quali: cattivo odore, generazione di calore, deformazione, scolorimento, interrompere immediatamente l'uso della batteria.

Se delle perdite dalla batteria si riversano sulla cute o sugli abiti, sciacquare con acqua pulita.

Se delle perdite dalla batteria schizzano negli occhi, sciacquare con cura usando acqua pulita e rivolgersi immediatamente a un medico evitando di sfregare gli occhi.

In caso contrario si rischiano danni oculari gravi.

AVVIO DEL MOTORE

Non usare la leva dell'aria se il motore è caldo e la temperatura dell'aria sufficientemente alta.

• Tipo con comando dell'aria manuale (tipi applicabili)

1. Girare la leva valvola del carburante sulla posizione ACCESO. Vedere Figura 1, pagina A-2.
2. [Tipo senza LEVA DELL'ARIA] (tipi applicabili)
Spostare la leva di comando in posizione CHIUSA (COMANDO DELL'ARIA). Vedere Figura 2, pagina A-2.
3. Tipo con LEVA DEL FRENO VOLANO (tipi applicabili):
Spostare la leva del freno volano in posizione DISINSERITO. L'interruttore del motore, che è vincolato alla leva del freno volano, si accende quando la leva del freno volano viene spostata in posizione DISINSERITO. Vedere Figura 3, pagina A-2.
4. Afferrare la leva del freno dell'apparecchiatura alimentata dal motore. L'indicatore della batteria si accende o lampeggia per 5 secondi per indicare lo stato di carica della batteria (vedere a pagina 6) quando si afferra la leva del freno dell'apparecchiatura alimentata dal motore.

5. Mentre si trattiene la leva del freno, premere il pulsante di avvio del motore dell'apparecchiatura alimentata dal motore. Quindi l'indicatore della batteria si spegne e il motore si avvia.

AVVISO

Non avviare il motore quando l'apparecchiatura alimentata dal motore è limitato nel funzionamento (per esempio quando una lama del tosaerba è bloccata).

Se si prova la procedura di avvio del motore in tale stato, la rotazione del motorino di avviamento si arresterà automaticamente. Il motore non può essere avviato se il motorino di avviamento non ruota.

Quindi se si prova più volte l'avviamento del motore, l'indicatore della batteria non sarà visualizzato e il motore non si avvierà in seguito alla protezione della batteria. Attendere qualche secondo e tentare di riavviare il motore.

Se il motore non si avvia entro 3 secondi, l'indicatore della batteria si accende o lampeggia per 5 secondi di nuovo, per indicare lo stato della batteria (vedere a pagina 6).

Dopo l'indicazione dello stato di carica della batteria premere di nuovo il pulsante di avvio del motore.

AVVISO

Quando l'indicatore della batteria lampeggia il livello della batteria è basso. Si consiglia un tempo di lavorazione più lungo per garantire un livello di carica adeguato della batteria mediante l'auto-caricamento.

Se l'indicatore della batteria resta spento durante le procedure di avviamento, caricare la batteria con dispositivo di carica USB esterno (vedere a pagina 6).

AVVISO

Se si avvia il motore dopo che è stato conservato per oltre 1 mese, premere il pulsante di avvio del motore dell'apparecchiatura alimentata da questo motore per avviare la batteria ed essere sicuri che l'indicatore della batteria lampeggi.

6. [Tipo senza LEVA DELL'ARIA] (tipi applicabili)

Quando il motore si scalda, spostare la leva di comando in posizione VELOCE o LENTO.

Vedere Figura 4, pagina A-2.

• **Tipo con comando dell'aria automatico (tipi applicabili)**

1. Girare la leva della valvola del carburante sulla posizione ON. Vedere Figura 1, pagina A-2.
2. Tipo con LEVA DEL FRENO VOLANO (tipi applicabili): Spostare la leva del freno volano sulla posizione DISINSERITO. Vedere Figura 3, pagina A-2.
3. [Tipo con ACCELERATORE MANUALE] (tipi applicabili) Spostare la leva di comando sulla posizione VELOCE. Vedere Figura 4, pagina A-2.
4. Afferrare la leva del freno dell'apparecchiatura alimentata dal motore. L'indicatore della batteria si accende o lampeggia per 5 secondi per indicare lo stato di carica della batteria (vedere a pagina 6) quando si afferra la leva del freno dell'apparecchiatura alimentata dal motore.
5. Mentre si trattiene la leva del freno, premere il pulsante di avvio del motore dell'apparecchiatura alimentata dal motore. Quindi l'indicatore della batteria si spegne e il motore si avvia.

AVVISO

Non avviare il motore quando l'apparecchiatura alimentata dal motore è limitato nel funzionamento (per esempio quando una lama del tosaerba è bloccata).

Se si prova la procedura di avvio del motore in tale stato, la rotazione del motorino di avviamento si arresterà automaticamente. Il motore non può essere avviato se il motorino di avviamento non ruota.

Quindi se si prova più volte l'avviamento del motore, l'indicatore della

batteria non sarà visualizzato e il motore non si avvierà in seguito alla protezione della batteria. Attendere qualche secondo e tentare di riavviare il motore.

Se il motore non si avvia entro 3 secondi, l'indicatore della batteria si accende o lampeggia per 5 secondi di nuovo, per indicare lo stato della batteria (vedere a pagina 6).

Dopo l'indicazione dello stato di carica della batteria premere di nuovo il pulsante di avvio del motore.

AVVISO

Quando l'indicatore della batteria lampeggia il livello della batteria è basso. Si consiglia un tempo di lavorazione più lungo per garantire un livello di carica adeguato della batteria mediante l'auto-caricamento.

Se l'indicatore della batteria resta spento durante le procedure di avviamento, caricare la batteria con dispositivo di carica USB esterno (vedere a pagina 6).

AVVISO

Se si avvia il motore dopo che è stato conservato per oltre 1 mese, premere il pulsante di avvio del motore dell'apparecchiatura alimentata da questo motore per avviare la batteria ed essere sicuri che l'indicatore della batteria lampeggi.

6. [Tipo con ACCELERATORE MANUALE] (tipi applicabili)

Posizionare la leva di comando in base al regime desiderato per il motore.

ARRESTO DEL MOTORE

1. [Tipo con ACCELERATORE MANUALE] (tipi applicabili)

Spostare la leva di comando sulla posizione LENTO. Vedere Figura 4, pagina A-2.

2. Tipo con LEVA DEL FRENO VOLANO (tipi applicabili):

Riportare la leva del freno volano in posizione INNESTATO. Il comando di accensione, che è collegato alla leva del freno volano, viene impostato su spegnimento allorché la leva del freno volano viene spostata su INNESTATO.

Vedere Figura 3, pagina A-2.

Tipo senza LEVA DEL FRENO VOLANO (tipi applicabili):

Spostare la leva di controllo sulla posizione STOP.

Il comando di accensione, che è collegato alla leva di comando, viene girato sulla posizione di spegnimento quando la leva di comando viene spostata sulla posizione STOP.

Vedere Figura 5, pagina A-2.

3. Girare la leva della valvola del carburante sulla posizione SPENTO. Vedere Figura 1, pagina A-2.

MANUTENZIONE DEL MOTORE

IMPORTANZA DELLA MANUTENZIONE

Una buona manutenzione è essenziale per l'uso sicuro, economico e privo di problemi. Inoltre, consente di ridurre l'inquinamento.

⚠ AVVERTENZA

Se non si esegue la corretta manutenzione di questo motore o non si corregge un problema prima di utilizzarlo, si rischiano guasti significativi.

Alcuni problemi di funzionamento possono provocare ferimenti gravi o mortali.

Seguire sempre i consigli riguardanti il controllo e la manutenzione riportati nel manuale d'uso.

Allo scopo di aiutarvi a prendervi cura efficacemente del motore, le seguenti pagine comprendono un programma di manutenzione, delle procedure di ispezione routinarie e semplici procedure di manutenzione effettuabili usando utensili manuali essenziali. Altre attività di manutenzione più complesse, o che richiedono utensili speciali, è meglio affidarle a professionisti e sono solitamente effettuate da tecnici Honda o meccanici qualificati.

Il programma di manutenzione si basa su condizioni d'uso medie. Se il motore viene azionato in condizioni gravose, quali carichi elevati prolungati o alte temperature, o viene utilizzato in condizioni insolitamente umide o polverose, rivolgersi al concessionario di servizio Honda per i consigli applicabili ad ogni singola necessità e impiego. **Usare soltanto ricambi originali Honda o pezzi equivalenti. L'uso di pezzi di ricambio di qualità non equivalente può danneggiare il motore. La manutenzione, la sostituzione o la riparazione dei dispositivi e dei sistemi di controllo emissioni possono essere effettuati da un'officina di riparazioni meccaniche o da un meccanico usando pezzi "certificati" secondo lo standard EPA.**

SICUREZZA DURANTE LA MANUTENZIONE

Qui di seguito vengono riportate alcune delle principali precauzioni di sicurezza. Tuttavia, tenere a mente che è impossibile avvisare di tutti i pericoli immaginabili che possono insorgere durante le attività di manutenzione. La decisione di effettuare o meno un'operazione determinata è strettamente individuale.

⚠ AVVERTENZA

La manutenzione impropria può compromettere la sicurezza di utilizzo.

Il mancato rispetto delle istruzioni e delle precauzioni di manutenzione può provocare ferimenti gravi o mortali.

Seguire sempre le procedure e le precauzioni indicate in questo manuale d'uso.

PRECAUZIONI DI SICUREZZA

- Accertarsi che il motore sia spento prima di dare inizio a un intervento di manutenzione o riparazione. Per evitare avviamenti involontari, scollegare il cappuccio della candela. Ciò eliminerà vari pericoli potenziali:
 - **Avvelenamento da monossido di carbonio provocato dagli scarichi del motore.**
 - Azionare all'esterno, lontano da finestre o porte.
 - **Ustioni provocate da parti calde.**
 - Lasciare raffreddare il motore e l'impianto di scarico prima di toccare.
 - **Lesioni provocate da parti in movimento.**
 - Non azionare il motore se non si è stati istruiti a farlo.
- Prima di incominciare leggere le istruzioni e accertarsi di disporre degli utensili e delle capacità necessarie.
- Per ridurre la possibilità di incendio o esplosione, essere molto cauti quando si lavora in prossimità della benzina. Per pulire i componenti, utilizzare soltanto solventi incombustibili, mai benzina. Tenere lontane sigarette, scintille e fiamme da tutti i componenti che hanno a che fare con il carburante.

Ricordarsi che i concessionari autorizzati Honda conoscono al meglio il vostro motore e sono perfettamente equipaggiati per effettuare interventi di manutenzione e riparazione. Per garantire la migliore qualità e affidabilità, in occasione di riparazioni e sostituzioni usare soltanto pezzi originali Honda nuovi o i loro equivalenti.

PROGRAMMA DI MANUTENZIONE

PERIODO DI MANUTENZIONE REGOLARE (1)		Ad ogni uso	Il primo mese o 5 ore	Ogni 3 mesi o 25 ore	Ogni 6 mesi o 50 ore	Ogni anno o 100 ore	150 ore	Ogni 2 anni o 250 ore	Fare riferimento a pagina
ELEMENTO		Effettuare nel mese indicato o trascorso l'intervallo di ore di funzionamento riportato, dipendendo da qual è la prima delle evenienze a verificarsi.							
Olio motore	Controllare il livello	o							5
	Cambiare		o		o (2)				5
Filtro dell'aria	Controllare	o							5
	Pulire			o (3)					5
	Sostituire							o	5
Pastiglia del freno del volano (tipi applicabili)	Controllare				o				6
Candela	Controllare - registrare					o			6
	Sostituire							o	6
Parafiamma (tipi applicabili)	Pulire					o (5)			Manuale d'officina
Regime minimo	Controllare					o (4)			Manuale d'officina
Serbatoio del carburante e filtro	Pulire					o (4)			Manuale d'officina
Gioco valvole	Controllare - registrare						o (4)		Manuale d'officina
Camera di combustione	Pulire	Dopo ogni 250 ore (4)							Manuale d'officina
Tubo del carburante	Controllare	Ogni 2 anni (sostituire se necessario) (4)							Manuale d'officina

- (1): Per usi commerciali, registrare le ore di funzionamento per determinare gli intervalli di manutenzione appropriati.
- (2): Cambiare l'olio ogni 25 ore di utilizzo quando sottoposto a carichi gravosi e a temperatura elevata.
- (3): Intervenire più spesso se utilizzato in zone polverose.
- (4): Gli interventi su questi elementi devono essere effettuati dal proprio concessionario, a meno che si disponga degli utensili e delle capacità meccaniche adeguate. Vedere le procedure di manutenzione del manuale d'officina Honda.
- (5): In Europa e negli altri paesi in cui viene applicata la Direttiva "macchine" 2006/42/CE, questa operazione deve essere affidata al proprio concessionario di servizio.

Per effettuare la manutenzione della parte inferiore del motore (Macchina), girarlo di 90° e poggiarlo col carburatore/filtro dell'aria sempre verso l'alto. Vedere Figura 7, pagina A-3.

RIFORMIMENTO

Vedere Figura 6, pagina A-3.

Carburante consigliato

Benzina senza piombo		
U.S.A.	Numero di ottano alla pompa non inferiore a 86	
Tranne U.S.A.	Numero di ottano RON non inferiore a 91	
U.S.A.	Numero di ottano alla pompa non inferiore a 86	

Specifiche carburante necessarie per mantenere inalterate le prestazioni del sistema di controllo emissioni: Carburante E10 indicato come riferimento nella normativa UE.

Questo motore è certificato per funzionare con benzina senza piombo con un numero di ottano di almeno 91 (un numero di ottano alla pompa di almeno 86). Effettuare il rifornimento in un'area ben ventilata e a motore spento. Se il motore stava funzionando lasciarlo prima raffreddare. Non effettuare mai il rifornimento del motore all'interno di un edificio in cui i fumi della benzina possano entrare in contatto con fiamme o scintille. Si può usare benzina senza piombo contenente non più del 10% di etanolo (E10) o del 5% di metanolo per volume. Inoltre, il metanolo deve contenere cosolventi e inibitori di corrosione. L'uso di carburanti con un contenuto di etanolo o metanolo superiore a quanto sopraindicato può causare problemi di accensione

e/o di prestazioni. Può anche danneggiare le parti in metallo, gomma e plastica dell'impianto di alimentazione. Eventuali danni al motore o problemi di prestazioni derivanti dall'uso di carburanti contenenti percentuali di etanolo o metanolo superiori a quanto sopra indicato non sono coperti dalla Garanzia.

⚠ AVVERTENZA

La benzina è un liquido altamente infiammabile ed esplosivo.

Si possono subire ustioni o ferimenti gravi provocati dalla gestione di questo carburante.

- Arrestare il motore e lasciarlo raffreddare prima di intervenire sul carburante.
- Tenere lontano fonti di calore, scintille e fiamme.
- Il carburante deve essere usato solo all'esterno.
- Tenere lontano dal veicolo.
- Pulire immediatamente le fuoriuscite.

AVVISO

Il carburante può danneggiare la vernice e alcuni tipi di plastica. Fare attenzione a non spargere del carburante quando si riempie il serbatoio. I danni causati dallo spargimento di carburante non vengono coperti dalla garanzia.

Mai utilizzare benzina vecchia, contaminata o mescolata con olio. Evitare che nel serbatoio del carburante penetrino sporcizia o acqua.

Per il rifornimento di carburante, consultare le istruzioni fornite a corredo dell'apparecchiatura azionata da questo motore.

1. Con il motore spento e su una superficie livellata, rimuovere il tappo del serbatoio del carburante e controllare il livello del carburante. Se il livello del carburante è basso rabboccare il serbatoio.
2. Aggiungere carburante fino al bordo superiore del serbatoio del carburante. Asciugare il carburante eventualmente fuoriuscito prima di avviare il motore.
3. Rifornire con precauzione per evitare fuoriuscite di carburante. Non riempire troppo il serbatoio (non deve esserci carburante nel bocchettone di rifornimento carburante). A seconda delle condizioni d'uso, potrebbe essere necessario abbassare il livello del carburante. Dopo il rifornimento, serrare saldamente il tappo del serbatoio del carburante.

Tenere lontana la benzina dalle spie luminose degli apparecchi, da barbecue, elettrodomestici, utensili elettrici, ecc.

La benzina fuoriuscita non solo costituisce un pericolo d'incendio ma è anche fonte di inquinamento ambientale. Asciugare immediatamente eventuali fuoriuscite.

OLIO MOTORE

L'olio è uno dei fattori che influenzano maggiormente le prestazioni e la durata dei componenti.

Usare olio detergente per motori automobilistici a 4 tempi.

Olio consigliato

Vedere Figura 9, pagina A-3.

Usare olio per motori a 4 tempi che sia almeno conforme ai requisiti per la categoria API SE o successive (o equivalenti). Verificare sempre l'etichetta API sul recipiente dell'olio per assicurarsi che contenga le lettere SE o delle categorie successive (o equivalenti).

Specifiche olio lubrificante necessarie per mantenere inalterate le prestazioni del sistema di controllo emissioni: Olio originale Honda.

A livello generale si consiglia l'uso di SAE 10W-30. È possibile usare altre viscosità indicate nella tabella in basso quando la temperatura media della zona rientra nella gamma indicata.

Controllo del livello dell'olio

Vedere Figura 8, pagina A-3.

1. Rimuovere il tappo di riempimento olio/astina di livello dell'olio e pulire l'astina.
2. Inserirla poi nel collo rifornimento olio senza però avvitare.
3. Se il livello è scarso, aggiungere olio raccomandato fino al limite superiore dell'astina indicatrice del livello.

4. Installare il tappo di riempimento olio/astina di livello dell'olio.

AVVISO

Il funzionamento del motore con un livello di olio basso può causare dei danni al motore. Questo tipo di danni non è coperto dalla garanzia.

Cambio dell'olio

Vedere Figura 8, pagina A-3 e figura 10, pagina A-3.

Scaricare l'olio esausto a motore caldo. L'olio caldo defluisce più in fretta e in modo completo.

1. Girare la leva della valvola del carburante sulla posizione OFF. Vedere Figura 1, pagina A-2.
2. Rimuovere il tappo di riempimento olio e scaricare l'olio nel recipiente per olio inclinando il motore verso il collo rifornimento olio.
3. Riempire con olio raccomandato e controllare il livello dell'olio.

AVVISO

Azionando il motore con un livello dell'olio basso si rischia di danneggiarlo. Questo tipo di danni non è coperto dalla garanzia.

Capacità olio motore: 0,40 L

4. Installare saldamente il tappo di riempimento olio/astina di livello dell'olio.

Lavarsi le mani con acqua e sapone dopo aver maneggiato olio usato.

AVVISO

Smaltire l'olio motore esausto nel rispetto dell'ambiente. Si consiglia di portarlo in un recipiente opportunamente sigillato a una stazione di servizio per il riciclo. Non disperdere nell'ambiente gettandolo tra i rifiuti, versandolo al suolo o scaricandolo nella rete fognaria.

FILTRO DELL'ARIA

Un filtro dell'aria sporco limiterà il flusso dell'aria verso il carburatore, riducendo le prestazioni del motore. Se si aziona il motore in zone molto polverose, pulire il filtro dell'aria più spesso di quanto specificato nel **PROGRAMMA DI MANUTENZIONE** (vedere a pagina 4).

AVVISO

L'azionamento del motore sprovvisto di filtro per l'aria o con un filtro per l'aria danneggiato, consentirà alle impurità di entrare nel motore, provocando il veloce logorio dello stesso. Questo tipo di danni non è coperto dalla garanzia.

Controllo

Rimuovere il coperchio del filtro dell'aria e ispezionare l'elemento filtrante. Un elemento filtrante sporco va pulito o sostituito. Un elemento filtrante danneggiato va sempre sostituito.

Pulizia

Vedere Figura 12, pagina A-4.

1. Togliere il coperchio del filtro dell'aria sganciando le due linguette superiori sulla parte superiore del coperchio stesso e le due linguette inferiori.
2. Togliere l'elemento. Controllare attentamente che l'elemento sia privo di fori o lacerazioni e sostituirlo se danneggiato.
3. Picchiettare l'elemento in modo delicato e ripetuto su una superficie rigida per togliere lo sporco in eccesso oppure soffiare con aria compressa a 29 psi (200 kPa) attraverso il filtro, dall'interno verso l'esterno. Non usare la spazzola per rimuovere lo sporco perché così facendo si preme lo sporco all'interno delle fibre. Sostituire l'elemento se è eccessivamente sporco.
4. Pulire la sporcizia dall'interno della scatola del filtro dell'aria e del coperchio usando un panno umido. Attenzione ad evitare che la sporcizia penetri nel condotto dell'aria che porta al carburatore.
5. Installare l'elemento e il coperchio del filtro dell'aria.

Ispezione FRENO VOLANO (tipi applicabili)

Controllare il gioco della leva del freno volano. Se è inferiore a 2 mm il motore deve essere ispezionato presso un rivenditore Honda autorizzato. Vedere Figura 11, pagina A-3.

CANDELA

Vedere Figura 13, pagina A-4.

Candela consigliata: BPR5ES (NGK)

La candela consigliata ha il grado termico corretto per temperature di esercizio del motore normali.

AVVISO

Una candela sbagliata può danneggiare il motore.

Se il motore stava funzionando lasciarlo raffreddare prima di intervenire sulla candela.

Per ottenere buone prestazioni, la candela deve avere la corretta distanza tra gli elettrodi ed essere priva di depositi.

1. Scollegare il cappuccio della candela e rimuovere la sporcizia tutto attorno all'area della candela.
2. Rimuovere la candela con l'apposita chiave.
3. Controllare visivamente che la candela non sia consumata e che l'isolatore non sia scheggiato o danneggiato, gettandola in caso positivo. Pulirla infine con una spazzola d'acciaio.
4. Misurare la distanza tra gli elettrodi della candela con uno spessimetro. Correggere secondo necessità piegando l'elettrodo laterale.

La distanza tra gli elettrodi dovrebbe essere di:

0,7–0,8 mm

5. Controllare che la rondella della candela sia in buone condizioni e avvitare la candela a mano in modo di evitare di danneggiare la filettatura.
6. Una volta alloggiata la candela, serrare con la chiave per candele per comprimere la rondella.

Quando si installa una candela nuova, serrare 1/2 giro una volta alloggiata la candela per comprimere la rondella.

Quando si rimonta una candela usata, stringere di 1/8–1/4 di giro dopo aver inserito la candela per comprimere la rondella.

COPPIA DI SERRAGGIO: 20 N·m (2,0 kgf·m)

AVVISO

Una candela allentata può surriscaldare e danneggiare il motore. Se si stringe troppo la candela si rischia di danneggiare la filettatura nella testata.

7. Fissare il cappuccio sulla candela.

PARAFIAMMA (tipi applicabili)

In alcune zone è proibito azionare un motore senza parafiamma. Controllare le leggi e la normativa locale. Il parafiamma è disponibile presso le officine di servizio autorizzate Honda.

Affinché le prestazioni rimangano come da progetto, il parafiamma deve essere revisionato ogni 100 ore.

Se il motore stava funzionando la marmitta sarà molto calda. Lasciarla raffreddare prima di intervenire sul parafiamma.

Rimozione del parafiamma

Vedere Figura 14, pagina A-4, Figura 15, pagina A-4 e Figura 16, pagina A-5.

1. Togliere la vite e il dado molla.
2. Togliere il tappo del serbatoio carburante.

3. Togliere il coperchio superiore sganciando le quattro linguette sul coperchio superiore.
4. Togliere la protezione della marmitta estraendo i tre bulloni da 6 mm.
5. Togliere il parascintille dalla marmitta rimuovendo la vite. (Facendo attenzione a non danneggiare la maglia metallica.)

Pulizia e controllo del parafiamma

Vedere Figura 14, pagina A-4, Figura 15, pagina A-4 e Figura 16, pagina A-5.

Controllare che non ci siano depositi carboniosi attorno alla luce di scarico e al parafiamma ed eventualmente pulire.

1. Usare una spazzola per togliere i depositi carboniosi dallo schermo del parafiamma. Fare attenzione a non danneggiare lo schermo. Sostituire il parafiamma se presenta crepe o fori.
2. Montare il parascintille, la marmitta, il coperchio superiore e il tappo del serbatoio carburante rispettando l'ordine con cui sono stati smontati.

ATTENZIONE

Non azionare il motore quando il coperchio superiore è smontato.

Altrimenti si rischia di subire ferimenti provocati dalle parti rotanti o ustioni provocati dalla marmitta.

CARICA BATTERIA**Controllare lo stato di carica della batteria**

L'indicatore della batteria indica lo stato di carica della batteria. Afferrare la leva del freno dell'apparecchiatura alimentata dal motore per controllare la quantità di carica.

- ○ (On): La batteria è abbastanza carica.
- ☼ (lampeggia): La batteria è quasi scarica.
- ● (Off): La batteria è quasi del tutto scarica.

Vedere Figura 18, pagina A-5.

CARICAMENTO

Il dispositivo di carica USB esterno incluso nella confezione serve solo per emergenza. Il caricamento è possibile collegando il dispositivo di carica USB esterno alla porta di carica USB.

La spina del dispositivo di carica USB esterno può essere usata soltanto per il tipo C o BF sostituendo le spine.

Vedere Figura 18, pagina A-5.

AVVISO

Ricordarsi dei seguenti accorgimenti quando si effettua il caricamento.

- Evitare l'uso in un luogo in cui la polvere può facilmente penetrare all'interno della porta di carica.
- Accertarsi di arrestare il motore prima di collegare il dispositivo di carica USB esterno alla porta di carica USB.
- Evitare che la porta di carica USB e il dispositivo di carica USB esterno si inumidiscano con liquido.

1. Togliere il tappo di gomma dalla porta di carica USB e collegare il dispositivo di carica USB esterno a una presa.
presa elettrica da 100–240 V CA: tipo C o tipo BF
2. Collegare il terminale USB del dispositivo di carica USB esterno alla porta di carica USB.
3. L'indicatore della batteria inizia a lampeggiare e il caricamento si avvia. Quando l'indicatore della batteria si accende, la batteria sarà completamente carica.
4. Dopo la carica, scollegare il dispositivo di carica USB esterno dal motore e dalla presa.

5. Applicare il tappo di gomma alla porta di carica USB.

AVVISO

- Applicare il tappo di gomma alla porta di carica USB in modo ben saldo dopo la carica. Se il tappo di gomma non è inserito correttamente la porta di carica USB potrebbe arrugginirsi e potrebbe non essere possibile la carica.
- Quando si avvia il motore accertarsi di rimuovere il dispositivo di carica USB esterno dal motore prima dell'avvio. Si può usare un dispositivo di carica comunemente reperibile in commercio (come una batteria mobile per la carica dello smartphone) al posto del dispositivo di carica USB esterno incluso nella confezione. La garanzia copre:
 - Tipo: USB micro B
 - Standard: USB BC1.2
 - Prodotto certificato CE

CONSIGLI E SUGGERIMENTI UTILI

RIMESSAGGIO DEL MOTORE

Preparazione per il rimessaggio

Un'adeguata preparazione al rimessaggio è essenziale per mantenere il buon funzionamento e l'aspetto del motore. I seguenti passaggi contribuiranno ad evitare che la ruggine e la corrosione rovinino la funzionalità e l'aspetto del motore, e semplificheranno l'accensione del motore quando verrà nuovamente usato.

Pulizia

Se il motore stava funzionando lasciarlo raffreddare almeno mezz'ora prima di pulirlo. Pulire tutte le superfici esterne, ritoccare la vernice danneggiata e rivestire le zone che potrebbero arrugginirsi con un leggero strato d'olio.

AVVISO

L'uso di una canna irroratrice o di un apparecchio di lavaggio a pressione potrebbe far penetrare acqua nell'apertura del filtro dell'aria o della marmitta. L'acqua penetrata nel filtro dell'aria lo impregnerà e l'acqua che passa attraverso il filtro o la marmitta potrebbe entrare nel cilindro danneggiandolo.

Carburante

AVVISO

In base alla regione di utilizzo dell'apparecchiatura, le formulazioni di carburante possono deteriorarsi e ossidarsi rapidamente. Il deterioramento e l'ossidazione del carburante possono avvenire in soli 30 giorni e potrebbero danneggiare il carburatore e/o l'impianto di alimentazione. Rivolgersi al concessionario per i consigli locali riguardanti il rimessaggio.

Durante il periodo di rimessaggio la benzina si ossiderà e deteriorerà. La benzina deteriorata renderà difficile l'avviamento e lascerà depositi gommosi che ostruiranno l'impianto di alimentazione. Se la benzina contenuta nel motore si deteriora durante il rimessaggio, è necessario revisionare o sostituire il carburatore e altri componenti dell'impianto di alimentazione.

Il lasso di tempo durante il quale la benzina può essere lasciata all'interno del serbatoio del carburante e all'interno del carburatore senza causare problemi di funzionamento cambia in base a vari fattori quali la miscela della benzina, la temperatura di conservazione, e a seconda del livello di carburante presente nel serbatoio. L'aria presente all'interno di un serbatoio parzialmente pieno favorisce il deterioramento del carburante. Una temperatura di conservazione molto elevata accelera il deterioramento del carburante. I problemi di deterioramento del carburante possono verificarsi entro 30 giorni dal momento in cui si mantiene il carburante nel serbatoio, o persino prima se la benzina non era fresca quando è stato riempito il serbatoio del carburante. I danni al sistema di carburazione o i problemi di prestazione del motore causati da una preparazione di conservazione inadeguata non vengono coperti dalla garanzia.

Svuotamento del serbatoio del carburante e del carburatore

Vedere Figura 17, pagina A-5.

AVVERTENZA

La benzina è un liquido altamente infiammabile ed esplosivo.

Si possono subire ustioni o ferimenti gravi provocati dalla gestione di questo carburante.

- Arrestare il motore e lasciarlo raffreddare prima di intervenire sul carburante.
- Tenere lontano fonti di calore, scintille e fiamme.
- Il carburante deve essere usato solo all'esterno.
- Tenere lontano dal veicolo.
- Pulire immediatamente le fuoriuscite.

1. Svuotare il serbatoio del carburante e il carburatore scaricandone il contenuto in un recipiente omologato per la benzina.
2. Girare la leva della valvola del carburante sulla posizione ACCESO e allentare il bullone di scarico del carburatore ruotandolo di 1 o 2 giri in senso antiorario.
3. Dopo aver scaricato tutto il carburante, serrare saldamente il bullone di scarico del carburatore e girare la leva della valvola del carburante sulla posizione SPENTO.
4. Se non si riesce a scaricare dal carburatore, svuotare il serbatoio del carburante in un recipiente omologato per la benzina utilizzando una pompa a mano disponibile in commercio. Non utilizzare una pompa elettrica. Azionare il motore fino a quando si arresta per mancanza di carburante.

Olio motore

1. Cambiare l'olio motore (vedere a pagina 5).
2. Rimuovere la candela (vedere a pagina 6).
3. Versare un cucchiaino, 5-10 cm³, di olio motore pulito nel cilindro.
4. Azionare il motorino di avviamento varie volte.
5. Reinstallare la candela.
6. Ricoprire con un leggero strato di olio le superfici che potrebbero arrugginirsi. Coprire il motore per proteggerlo dalla polvere.

Precauzioni per il rimessaggio

Se il motore verrà riposto lasciando la benzina dentro al serbatoio e al carburatore, è importante ridurre il pericolo di incendio dei vapori di benzina. Scegliere un'area di rimessaggio ben ventilata lontana da apparecchi che funzionano a fiamma, quali caldaie, scaldacqua o asciugabiancheria. Evitare inoltre aree contenenti motori elettrici che producono scintille o dove vengono azionati utensili elettrici.

Se durante la conservazione del motore non si gestisce in modo corretto la batteria, le prestazioni e la durata di questa potrebbero diminuire.

Si consiglia di conservare il motore a una temperatura compresa tra 5 e 40 °C.

Per la conservazione evitare aree con temperatura sopra i 40 °C e con umidità elevata; la conservazione dovrebbe neanche avvenire in ambienti con intense variazioni di temperatura. Tenere lontano dalla luce diretta del sole, dalla pioggia o dall'umidità.

La conservazione in aree con elevata umidità possono favorire la formazione di ruggine sul motore e la corrosione. Inoltre la conservazione a temperature elevate può ridurre la durata della batteria.

Tenere il motore in piano durante il rimessaggio. L'inclinazione potrebbe causare perdite di carburante o di olio.

Con il motore e l'impianto di scarico freddi, coprire il motore per proteggerlo dalla polvere. Un motore e un impianto di scarico caldi possono incendiare o sciogliere determinati materiali. Non usare un foglio di plastica come protezione antipolvere. Una protezione non porosa intrappolerà l'umidità attorno al motore favorendo la ruggine e la corrosione.

Quando si conserva il motore, la leva del freno dell'apparecchiatura alimentata dal motore deve essere rilasciata.

Se si conserva il motore per più di 1 mese, si consiglia di conservare la batteria dopo la carica quando l'indicatore della batteria si accende.

Rimozione dal rimessaggio

Controllare il motore come descritto alla sezione CONTROLLI PRIMA DELL'USO di questo manuale (vedere a pagina 2).

Se il carburante è stato scaricato durante la preparazione al rimessaggio, riempire il serbatoio con benzina fresca. Se si possiede un recipiente di benzina per il rifornimento, accertarsi che contenga soltanto benzina fresca. Col tempo la benzina si ossida e si deteriora rendendo difficile l'avviamento.

Se il cilindro è stato ricoperto d'olio durante la preparazione al rimessaggio, il motore farà un po' di fumo in occasione dell'avviamento. Ciò è normale.

TRASPORTO

Se il motore stava funzionando, lasciarlo raffreddare per almeno 15 minuti prima di caricare l'apparecchiatura alimentata da questo motore sul veicolo di trasporto. Un motore e un impianto di scarico caldi possono provocare ustioni e incendiare determinati materiali.

Mantenere il livello del motore costante durante il trasporto per ridurre la possibilità di perdita del carburante. Girare la leva della valvola del carburante su SPENTO.
Vedere Figura 1, pagina A-2.

TRATTAMENTO DEI PROBLEMI IMPREVISTI**IL MOTORE NON SI AVVIA**

Possibile causa	Correzione
Valvola del carburante in posizione SPENTO.	Spostare la leva sulla posizione ON.
Comando dell'aria aperto (tipi applicabili).	Spostare la leva sulla posizione CHIUUSA a meno che il motore sia caldo.
Leva di comando non nella posizione adeguata (tipi applicabili).	Spostare la leva sulla posizione adeguata.
Leva del freno del volante nella posizione INNESTATO (tipi applicabili).	Spostare la leva sulla posizione DISINSERITO.
Senza carburante.	Fare rifornimento di carburante (pag. 4).
Carburante scadente; motore rimessato senza effettuare il trattamento della benzina o senza scaricarla, o rifornito con benzina scadente.	Scaricare il serbatoio del carburante e il carburatore (pag. 7). Fare rifornimento con benzina fresca (pag. 4).
Candela difettosa, sporca o con distanza tra gli elettrodi sbagliata.	Distanza tra gli elettrodi o sostituire la candela (pag. 6).
Candela bagnata di carburante (motore ingolfato).	Asciugare e reinstallare la candela.
Filtro del carburante ostruito, guasto del carburatore, guasto dell'accensione, valvole bloccate, ecc.	Portare il motore presso il concessionario o consultare il manuale d'officina.

IL MOTORE PERDE POTENZA

Possibile causa	Correzione
Elemento filtrante ostruito.	Pulire o sostituire l'elemento filtrante (pag. 5).
Carburante scadente; motore riposto senza effettuare il trattamento della benzina o senza scaricarla, o rifornito con benzina scadente.	Scaricare il serbatoio del carburante e il carburatore (pag. 7). Fare rifornimento con benzina fresca (pag. 4).
Filtro del carburante ostruito, guasto del carburatore, guasto dell'accensione, valvole bloccate, ecc.	Portare il motore presso il concessionario o consultare il manuale d'officina.

IL MOTORE DI AVVIAMENTO NON SI AZIONA

Possibile causa	Correzione
Scarsità di tensione della batteria.	Caricare la batteria, se l'indicatore della batteria non si accende o lampeggia anche se la leva del freno dell'apparecchiatura alimentata dal motore è inserita (pag. 2).
Un fascio cavi, un motorino di avviamento, una batteria difettosi.	Portare il motore presso il concessionario o consultare il manuale d'officina.

IMPOSSIBILE CARICARE LA BATTERIA ESTERNAMENTE

Possibile causa	Correzione
Problema di collegamento.	Controllare che il collegamento sia corretto.
Un dispositivo di carica esterno difettoso.	Portare il dispositivo di carica esterno presso il concessionario o consultare il manuale d'officina.
Un fascio cavi, una batteria, un indicatore di batteria difettosi.	Portare il motore presso il concessionario o consultare il manuale d'officina.

INFORMAZIONI TECNICHE**Posizione del numero di serie**

Vedere pagina A-1.

Registrare il numero di serie del motore nello spazio sottostante. Tale informazione è necessaria quando si ordinano pezzi o si inoltrano richieste di informazioni tecniche o riguardanti la garanzia.

Numero di serie del motore: _____

Tipo di motore: _____

Data dell'acquisto: ____ / ____ / ____

Modifiche del carburatore per funzionamento ad alta quota

Ad alta quota, la miscela standard aria-carburante nel carburatore è troppo ricca. Le prestazioni diminuiscono ed il consumo di carburante aumenta. Inoltre, una miscela molto ricca imbratta le candele e causa difficoltà di avviamento. L'uso prolungato a un'altitudine differente da quella della certificazione del motore può aumentare le emissioni.

Le prestazioni ad alta quota si possono migliorare tramite specifiche modifiche al carburatore. Se si usa sempre il motore ad altitudini superiori a 610 metri, far modificare il carburatore dal concessionario. Il motore, quando usato ad alta quota con il carburatore appositamente modificato, sarà conforme a tutti gli standard sulle emissioni per tutta la vita utile.

Anche con le modifiche al carburatore, la potenza del motore diminuirà di circa il 3,5% per ogni 300 metri di aumento dell'altitudine. L'effetto dell'altitudine sulla potenza del motore sarebbe comunque maggiore qualora non venissero eseguite le modifiche al carburatore.

AVVISO

Se il carburatore è stato modificato per l'uso ad altitudini elevate, la miscela aria-carburante è troppo magra per essere utilizzata a basse altitudini. Il funzionamento ad altitudini inferiori a 610 metri con un carburatore modificato potrebbe provocare il surriscaldamento del motore con gravi danni al motore stesso. Per l'uso a bassa quota, richiedere al rivenditore di riportare il carburatore alle specifiche originali di fabbrica.

Informazioni sul sistema di controllo delle emissioni

Garanzia del sistema di controllo delle emissioni

La vostra nuova Honda è conforme alle norme EPA statunitensi e alle normative sulle emissioni della California. American Honda fornisce la stessa copertura per la garanzia sulle emissioni per i motori Honda Power Equipment venduti in 50 paesi. In tutte le zone degli Stati Uniti, il vostro motore Honda Power Equipment è progettato, realizzato ed equipaggiato per soddisfare le prescrizioni delle norme EPA statunitensi e delle normative sulle emissioni della commissione sulla protezione delle risorse atmosferiche della California (California Air Resources Board) per i motori ad accensione comandata.

Copertura della garanzia

I motori Honda Power Equipment certificati in conformità alle norme CARB ed EPA sono coperti da questa garanzia che ne garantisce l'assenza di difetti di materiali e di fabbricazione che potrebbero impedirne la conformità alle prescrizioni delle relative norme EPA e CARB sulle emissioni per un minimo di 2 anni o per la durata della *garanzia limitata del distributore Honda Power Equipment*, a seconda di quale sia il periodo più lungo, a partire dalla data di consegna all'acquirente. Questa garanzia è trasferibile ad eventuali successivi acquirenti per la durata del periodo di garanzia. Le riparazioni in garanzia verranno effettuate senza alcun addebito per diagnosi, ricambi e manodopera. Le informazioni sulle modalità di presentazione di una richiesta di risarcimento in garanzia, nonché una descrizione della stessa e delle modalità di intervento previste, possono essere richieste ad un concessionario autorizzato Honda Power Equipment oppure contattando American Honda come segue:

E-mail: powerequipmentemissions@ahm.honda.com

Telefono: (888) 888-3139

I componenti coperti comprendono tutti quelli la cui eventuale anomalia aumenterebbe le emissioni da parte del motore di qualsiasi sostanza inquinante regolamentata o delle emissioni evaporative. Un elenco degli specifici componenti è disponibile nella dichiarazione della garanzia sulle emissioni, allegata separatamente. Gli specifici termini, copertura e limitazioni della garanzia e le modalità per richiedere un intervento in garanzia sono anch'essi indicati nella dichiarazione della garanzia sulle emissioni, allegata separatamente. Inoltre, la dichiarazione della garanzia sulle emissioni è anche disponibile sul sito internet di Honda Power Equipment oppure al seguente indirizzo:

<http://powerequipment.honda.com/support/warranty>

Fonte delle emissioni

Il processo di combustione produce monossido di carbonio, ossidi di azoto e idrocarburi. Il controllo degli idrocarburi e degli ossidi di azoto è molto importante perché, in alcune condizioni, reagiscono e causano l'inquinamento fotochimico quando vengono sottoposti alla luce del sole. Il monossido di carbonio non reagisce allo stesso modo ma è ugualmente tossico.

Honda utilizza rapporti aria/carburante appropriati e altri sistemi di controllo delle emissioni per ridurre le emissioni di monossido di carbonio, ossidi di azoto e idrocarburi.

Inoltre, gli impianti di alimentazione Honda utilizzano componenti e tecnologie di controllo per ridurre le emissioni evaporative.

Il Clean Air Act degli Stati Uniti e della California, l'EPA canadese e le normative californiane e canadesi richiedono a tutti i produttori di fornire una documentazione scritta che descriva il funzionamento e la manutenzione dei sistemi di controllo delle emissioni.

Seguire queste istruzioni e procedure per mantenere le emissioni del proprio motore Honda entro gli standard sulle emissioni.

Manomissione e alterazione

AVVISO

La manomissione è vietata dalle leggi federali e della California.

La manomissione o l'alterazione del sistema di controllo delle emissioni potrebbe aumentare le emissioni oltre il limite consentito. Gli interventi di manomissione comprendono:

- Rimozione o alterazione di qualsiasi parte del sistema di aspirazione, dell'impianto di alimentazione o dell'impianto di scarico.
- Alterazione o modifica dell'articolazione del regolatore o del meccanismo di regolazione della velocità per forzare il motore a lavorare oltre i parametri di progettazione.

Problemi che potrebbero influire sulle emissioni

Se si è a conoscenza di uno dei seguenti sintomi, il concessionario dovrà eseguire il controllo e la riparazione del motore.

- Difficoltà di avviamento oppure stallo dopo l'avviamento.
- Minimo irregolare.
- Mancata accensione o ritorno di fiamma sotto carico.
- Postcombustione (ritorno di fiamma).
- Fumo nero dallo scarico o consumi elevati di carburante.

Componenti di ricambio

I sistemi di controllo delle emissioni presenti sul nuovo motore Honda sono stati concepiti, prodotti e certificati per conformarsi alle norme EPA, alle normative sulle emissioni della California e del Canada. Consigliamo l'utilizzo di componenti originali Honda per gli interventi di manutenzione. Questi componenti di ricambio sono prodotti in conformità con gli stessi standard e la stessa qualità dei componenti originali, quindi le prestazioni sono equivalenti. Honda non può rifiutare la copertura della garanzia sulle emissioni per il solo mancato utilizzo di ricambi originali Honda o per l'esecuzione degli interventi di manutenzione in luoghi diversi da una concessionaria autorizzata Honda; è possibile l'uso di ricambi certificati EPA di livello comparabile e l'esecuzione degli interventi di manutenzione presso altri centri. Tuttavia, l'utilizzo di componenti di ricambio che non presentano la stessa struttura e la stessa qualità potrebbe influire negativamente sull'efficienza del sistema di controllo delle emissioni.

È responsabilità del produttore di un componente postvendita accertarsi che il componente non comprometta le emissioni. Il produttore o costruttore del componente deve certificare che l'utilizzo del componente non alteri la conformità del motore alle norme sulle emissioni.

Manutenzione

In qualità di proprietari del motore Power Equipment, siete responsabili dell'esecuzione di tutti gli interventi di manutenzione indicati nel manuale d'uso. Honda consiglia di conservare tutte le ricevute relative agli interventi di manutenzione effettuati sul motore, ma Honda non può rifiutare la copertura in garanzia per la sola mancanza delle ricevute o per l'impossibilità da parte del proprietario di garantire l'avvenuta esecuzione di tutti gli interventi di manutenzione programmati. Seguire il PROGRAMMA DI MANUTENZIONE a pagina 4.

Questo programma è basato sul presupposto che il motore venga utilizzato per lo scopo per il quale è stato realizzato. Il funzionamento prolungato con carichi elevati o alle alte temperature oppure l'utilizzo in condizioni polverose richiederà una manutenzione più frequente.

Indice di inquinamento atmosferico (Modelli certificati per la vendita in California)

Un'etichetta riportante l'indice di inquinamento atmosferico viene applicata ai motori certificati per un determinato periodo di durata del livello ridotto delle emissioni, in conformità con i requisiti della commissione sulla protezione delle risorse atmosferiche della California (California Air Resources Board).

La funzione del grafico a barre è quella di offrire ai nostri clienti la possibilità di confrontare le prestazioni in materia di limitazione delle emissioni dei motori disponibili. Più è basso l'indice di inquinamento atmosferico, minore sarà l'inquinamento stesso.

La funzione della descrizione della durata è quella di offrire informazioni riguardanti il periodo di durata del rispetto del livello di emissioni del motore. Il termine descrittivo indica il periodo di vita utile del sistema di controllo delle emissioni del motore. Per ulteriori informazioni consultare la *garanzia del sistema di controllo delle emissioni*.

Termine descrittivo	Applicabile al periodo di durata della limitazione delle emissioni
Moderato	50 ore (0-80 cc compresi) 125 ore (superiori a 80 cc)
Intermedio	125 ore (0-80 cc compresi) 250 ore (superiori a 80 cc)
Esteso	300 ore (0-80 cc compresi) 500 ore (superiori a 80 cc) 1.000 ore (225 cc e superiori)

L'etichetta/la targhetta con le informazioni sull'indice atmosferico, applicata deve rimanere sul motore finché non è venduto. Togliere la targhetta prima di utilizzare il motore.

Specifiche

GCV145

Modello	GCV145H
Codice descrittivo	GJAMH
Lunghezza × Larghezza × Altezza	415 × 362 × 360,5 mm
Massa a secco [peso]	11,8 kg
Tipo di motore	4 tempi, OHV, un cilindro
Cilindrata	145 cm ³
Alesaggio × Corsa	56,0 × 59,0 mm
Potenza netta (in conformità con la normativa SAE J1349*)	3,1 kW (4,2 PS) a 3.600 giri/min
Coppia massima netta (in conformità con la normativa SAE J1349*)	9,1 N·m (0,93 kgf·m) a 2.500 giri/min
Quantità di olio motore	0,40 L
Capacità serbatoio carburante	0,91 L
Impianto di raffreddamento	Ad aria forzata
Impianto di accensione	Accensione a magnete del tipo a transistor
Rotazione albero PTO	Antioraria

GCV170

Modello	GCV170H
Codice descrittivo	GJANH
Lunghezza × Larghezza × Altezza	415 × 362 × 360,5 mm
Massa a secco [peso]	11,8 kg
Tipo di motore	4 tempi, OHV, un cilindro
Cilindrata	166 cm ³
Alesaggio × Corsa	60,0 × 59,0 mm
Potenza netta (in conformità con la normativa SAE J1349*)	3,6 kW (4,9 PS) a 3.600 giri/min
Coppia massima netta (in conformità con la normativa SAE J1349*)	11,1 N·m (1,13 kgf·m) a 2.500 giri/min
Quantità di olio motore	0,40 L
Capacità serbatoio carburante	0,91 L
Impianto di raffreddamento	Ad aria forzata
Impianto di accensione	Accensione a magnete del tipo a transistor
Rotazione albero PTO	Antioraria

GCV200

Modello	GCV200H
Codice descrittivo	GJAPH
Lunghezza × Larghezza × Altezza	415 × 362 × 360,5 mm
Massa a secco [peso]	11,8 kg
Tipo di motore	4 tempi, OHV, un cilindro
Cilindrata	201 cm ³
Alesaggio × Corsa	66,0 × 59,0 mm
Potenza netta (in conformità con la normativa SAE J1349*)	4,2 kW (5,7 PS) a 3.600 giri/min
Coppia massima netta (in conformità con la normativa SAE J1349*)	12,7 N·m (1,30 kgf·m) a 2.500 giri/min
Quantità di olio motore	0,40 L
Capacità serbatoio carburante	0,91 L
Impianto di raffreddamento	Ad aria forzata
Impianto di accensione	Accensione a magnete del tipo a transistor
Rotazione albero PTO	Antioraria

*La potenza del motore indicata in questo documento è la potenza netta rilevata su questo modello di motore in fase di produzione e misurata secondo la normativa SAE J1349 a 3.600 giri/min. (potenza netta) e a 2.500 giri/min. (coppia massima netta). La potenza dei motori di produzione di massa può presentare variazioni rispetto a questi valori. La potenza effettiva del motore installato nella macchina finale può variare a seconda di numerosi fattori, inclusa la velocità di funzionamento del motore nella sua applicazione, le condizioni ambientali, il livello di manutenzione e altre variabili.

Specifiche di regolazione GCV145/170/200

VOCE	SPECIFICA	MANUTENZIONE
Gioco candela	0,7-0,8 mm	Vedere pagina 6
Velocità al minimo	1.700±150 giri/min	-
Gioco valvola (a freddo)	IN: 0,10±0,02 mm EX: 0,10±0,02 mm	Contattare il concessionario autorizzato Honda
Altre specifiche	Nessun'altra regolazione richiesta.	

Informazioni di riferimento rapido

Carburante	Benzina senza piombo (vedere pagina 4).	
	U.S.A.	Numero di ottano alla pompa non inferiore a 86
	Tranne U.S.A.	Numero di ottano RON non inferiore a 91 Numero di ottano alla pompa non inferiore a 86
Olio motore	SAE 10W-30, API SE o superiore, per uso generale. Vedere pagina 5.	
Candela	BPR5ES (NGK)	
Manutenzione	Prima di ogni uso: • Controllare il livello dell'olio motore. Vedere pagina 5. • Controllare il filtro dell'aria. Vedere pagina 5.	
	Prime 5 ore: Cambiare olio motore. Vedere pagina 5.	
	Successivamente: Vedere il programma di manutenzione pagina 4.	

NOTA:

I dati tecnici sono soggetti a variazioni a seconda del tipo di motore e a modifiche senza preavviso.

INFORMAZIONI PER L'UTILIZZATORE

Garanzia e informazioni per l'individuazione di un distributore/ concessionario

Versioni per Stati Uniti, Porto Rico e Isole Vergini americane:
Visitare il nostro sito internet: www.honda-engines.com

Canada:
Chiamare (888) 9HONDA9 oppure visitare il nostro sito internet:
www.honda.ca

Per l'area europea:
Visitare il nostro sito internet: <http://www.honda-engines-eu.com>

Informazioni sull'assistenza clienti

Il personale delle concessionarie è costituito da professionisti addestrati. Essi dovrebbero essere in grado di rispondere alle vostre domande. Se avete un problema che il rivenditore non risolve al meglio, rivolgetevi alla direzione della concessionaria. Il responsabile dell'assistenza, il direttore generale o il proprietario potranno aiutarvi. La maggior parte dei problemi sono risolvibili in questo modo.

Versioni per Stati Uniti, Porto Rico e Isole Vergini americane:
Se non siete soddisfatti della decisione presa dalla direzione della concessionaria, potete rivolgervi al distributore di motori Honda locale.

Se non siete soddisfatti neppure dopo avere contattato il distributore di motori Honda locale, potete contattare l'ufficio Honda indicato.

Tutte le altre zone:
Se non siete soddisfatti della decisione presa dalla direzione della concessionaria, rivolgetevi all'ufficio Honda indicato.

«Ufficio Honda»

Quando scrivete o chiamate, siete pregati di fornire le seguenti informazioni:

- Nome del fabbricante e numero di modello dell'apparecchio su cui è montato il motore
- Modello del motore, numero di serie e tipo (vedere pagina 8)
- Nome del rivenditore che vi ha venduto il motore
- Nome, indirizzo e persona di contatto dell'officina che effettua la manutenzione del vostro motore
- Data dell'acquisto
- Il vostro nome, indirizzo e numero di telefono
- Una descrizione dettagliata del problema

Versioni per Stati Uniti, Porto Rico e Isole Vergini americane: American Honda Motor Co., Inc.

Power Equipment Division
Customer Relations Office
4900 Marconi Drive
Alpharetta, GA 30005-8847, U.S.A.

Oppure telefonare a: (770) 497-6400, dalle 8:30 alle 19:00 fuso orario ET

Canada:

Honda Canada, Inc.
Visitare il sito internet www.honda.ca
per le informazioni relative all'indirizzo

Telefono: (888) 9HONDA9 Numero verde
(888) 946-6329
Fax: (877) 939-0909 Numero verde

Per l'area europea:

Honda Motor Europe Logistics NV.
European Engine Center

<http://www.honda-engines-eu.com>

Tutte le altre zone:

Per l'assistenza contattare il proprio distributore Honda.

Garanzia internazionale per i motori Honda per uso generico

Il motore Honda per uso generico installato in questo prodotto è coperto dalla garanzia Honda per uso generico, la quale è assoggettata alle seguenti regole:

- Le condizioni di garanzia sono conformi a quelle per i motori per uso generico stabilite da Honda per ogni nazione.
- Le condizioni di garanzia si applicano da problemi del motore causati da qualsiasi problema di produzione o specifico.
- La garanzia non si applica alle nazioni nelle quali non è presente nessun rivenditore Honda.

Per ottenere interventi in garanzia:

Occorre portare il motore Honda per uso generico, o l'attrezzatura nella quale esso è installato, unitamente alla prova della data originale di acquisto da un rivenditore di motori Honda autorizzato a vendere il prodotto interessato nel proprio paese oppure dal rivenditore presso il quale si è acquistato il prodotto. Per trovare un distributore/rivenditore Honda nelle proprie vicinanze o per verificare le condizioni di garanzia vigenti nel proprio paese, visitare il nostro sito Web globale con le informazioni sull'assistenza <https://www.hppsv.com/ENG/> oppure contattare il distributore nel proprio paese.

Esclusioni:

La presente garanzia per motori non comprende:

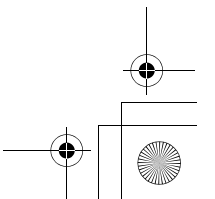
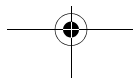
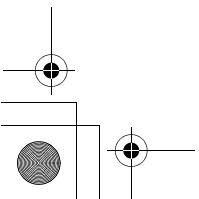
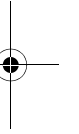
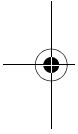
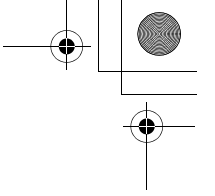
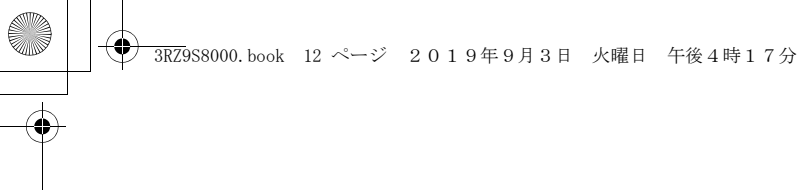
1. Danni o deterioramento causati da:
 - Inosservanza della manutenzione periodica specificata nel libretto d'uso e manutenzione del motore
 - Riparazioni o manutenzione improprie
 - Uso diverso da quello indicato nel libretto d'uso e manutenzione del motore
 - Danni causati dal prodotto su cui è installato il motore
 - Danni causati dalla conversione a, o dall'uso di, carburanti diversi da quelli originariamente previsti per l'uso con il motore al momento della sua costruzione, secondo quanto indicato nel libretto d'uso e manutenzione e/o nell'opuscolo di garanzia del motore
 - L'uso di pezzi e accessori Honda non originali, tranne quelli approvati da Honda (diversi dai lubrificanti e dai fluidi consigliati) (non si applica alla garanzia sulle emissioni a meno che il pezzo non originale utilizzato non sia comparabile al pezzo Honda e sia stato la causa del guasto)
 - L'esposizione del prodotto a fuliggine e fumo, agenti chimici, guano di uccelli, acqua di mare, brezza marina, sale o altri fenomeni ambientali
 - Urti, contaminazione o deperimento del carburante, incuria, modifiche non autorizzate o uso improprio
 - Normale usura (normale scolorimento delle superfici verniciate o rivestite, scrostatura delle lamiere o normale deterioramento di altro tipo)
2. Pezzi consumabili: Honda non garantisce il deterioramento dei pezzi dovuti alla normale usura. I pezzi elencati di seguito non sono coperti dalla garanzia (a meno che non si rendano necessari come parte di un'altra riparazione in garanzia):
 - Candela, filtro del carburante, elemento filtrante dell'aria, disco della frizione, fune di avviamento autoavvolgente
 - Lubrificante: olio e grasso
3. Pulizia, regolazione e normali interventi di manutenzione periodica (pulizia del carburatore e scarico dell'olio motore).
4. Uso del motore Honda per uso generico per corse o competizioni.
5. Qualsiasi motore che faccia parte di un prodotto che sia mai stato dichiarato una perdita totale o venduto per recupero da istituzioni finanziarie o società assicuratrici.

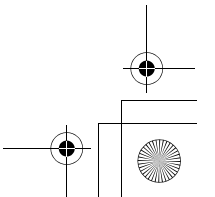
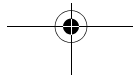
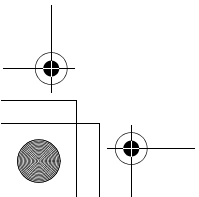
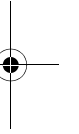
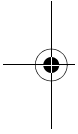
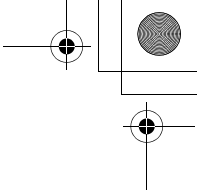
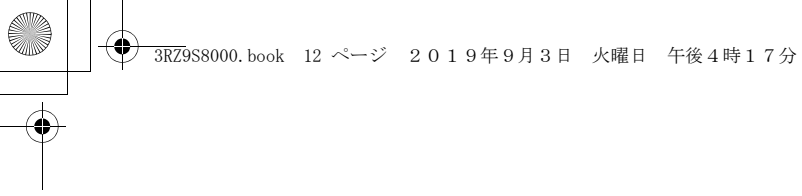
Informazioni sull'etichetta "SERVICE & SUPPORT"

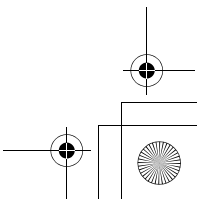
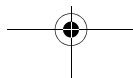
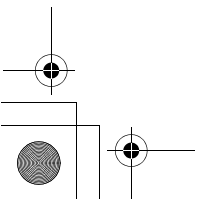
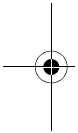
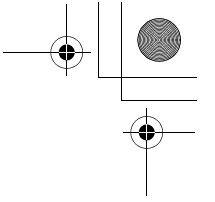
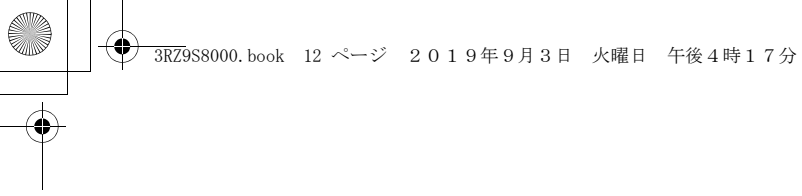
Sul motore di impiego generale Honda potrebbe essere apposta l'etichetta "SERVICE & SUPPORT" (servizio e assistenza)*. Per informazioni sull'assistenza, visitare il nostro sito internet tramite la scansione di questo codice a barre bidimensionale (codice QR).
* Questa etichetta non è apposta su tutti i modelli.

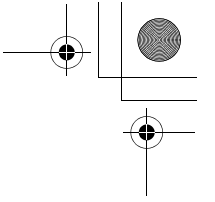
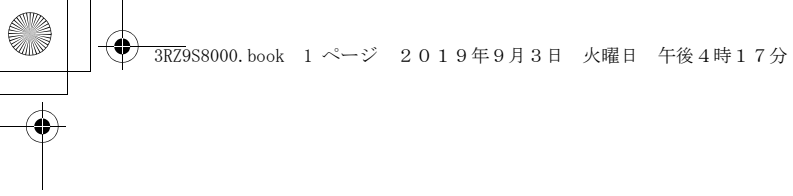


https://www.hondappsv.com/ENG/QR/GCV145_170_200/









HONDA

